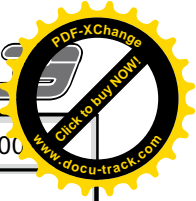


SET UP



NAME 733

RACE Florida State Series 3rd round

DATE Nov. 200

1 ST	SPUR				2ND
<input type="checkbox"/> 61	<input checked="" type="checkbox"/> 60	<input type="checkbox"/> 59	<input type="checkbox"/> 54	<input checked="" type="checkbox"/> 55	<input type="checkbox"/> 56

1 ST	PINION				2ND
<input type="checkbox"/> 16	<input type="checkbox"/> 17	<input type="checkbox"/> 18	<input type="checkbox"/> 21	<input type="checkbox"/> 22	<input checked="" type="checkbox"/> 23

FRONT		DRIVETRAIN	REAR	
<input checked="" type="checkbox"/>	GEAR DIFF	150,000 CST	<input type="checkbox"/>	GEAR DIFF
<input type="checkbox"/>	ONE WAY		<input type="checkbox"/>	40,000 CST
<input type="checkbox"/>	SPOOL		<input type="checkbox"/>	SOLID

FRONT		SHOCK ABSORBERS		REAR	
OIL/CST		OIL/CST		OIL/CST	
800		800		800	
SPRING		SPRING		SPRING	
blue		red			

ANTI-ROLL BARS					
FRONT			REAR		
<input type="checkbox"/> 1.8	<input type="checkbox"/> 2.2	<input checked="" type="checkbox"/> 2.5	<input type="checkbox"/> 2.8	<input checked="" type="checkbox"/> 2.3	<input type="checkbox"/> 2.5

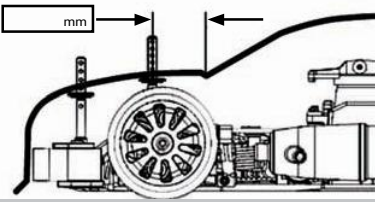
FRONT		REAR		
LEFT	RIGHT	TYRES	LEFT	RIGHT
twister	twister	MAKE	twister	twister
35 °	35 °	SHORE	40 °	40 °
57 mm	57 mm	DIAMETER	59 mm	59 mm
		5-MIN WEAR		

ENGINE			Nova 353		
TYPE	HEADSHIMS	stk mm			
GLOWPLUG	6f	CARB DIA'	5.4 mm		

EXHAUST			2652		
FIXED HEADER	<input checked="" type="checkbox"/>	<input type="checkbox"/>	CONICAL	<input checked="" type="checkbox"/>	<input type="checkbox"/>
	LONG	MED	SHORT	YES	NO

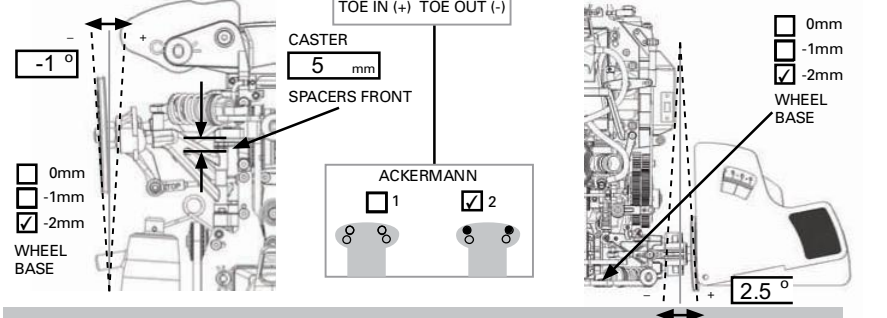
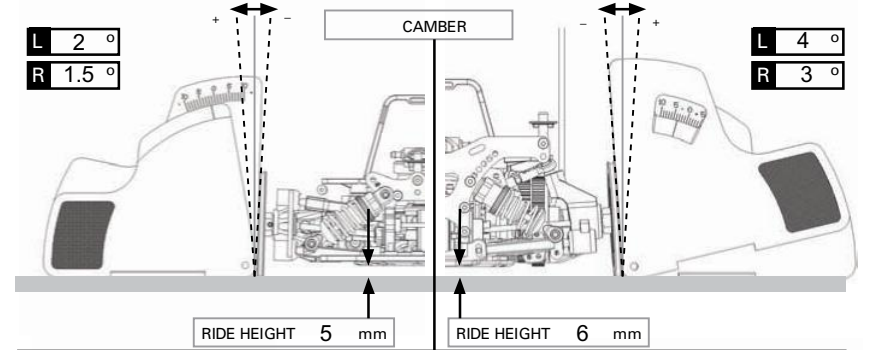
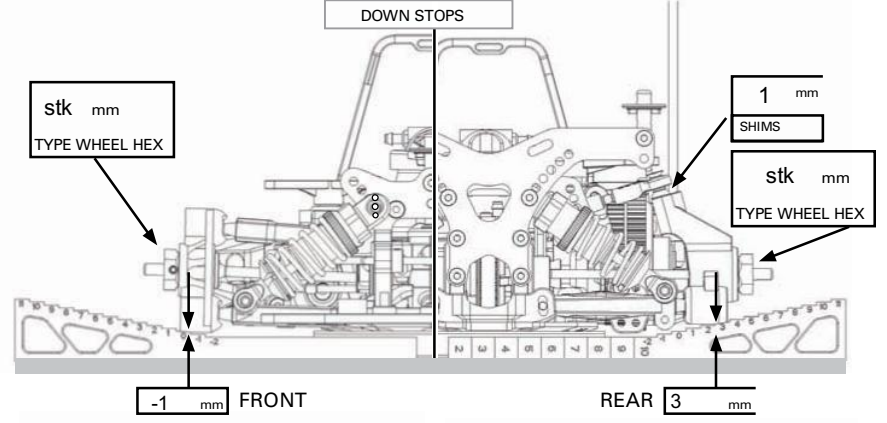
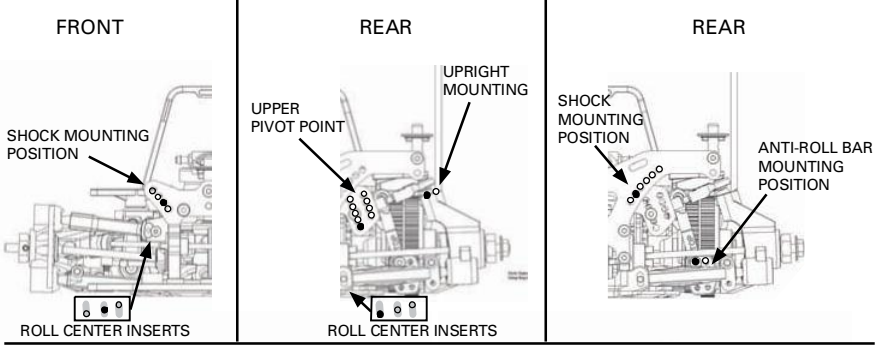
FUEL	NITRO 16 %
------	------------

BODY	
BODY-TYPE	Blitz Altis
POSITION	WING



REMARKS

TRACK Kissimmee, Fl.



STIFFNERS		<input type="checkbox"/> YES	<input checked="" type="checkbox"/> NO
FRONT BRACKET SCREWS	<input type="checkbox"/> YES	<input checked="" type="checkbox"/> NO	
REAR BRACKET SCREWS	<input type="checkbox"/> YES	<input checked="" type="checkbox"/> NO	

