

RACE: *Halloween Race 2013*

TRACK: *The Gate*

NAME: *Paul Ciccarello*

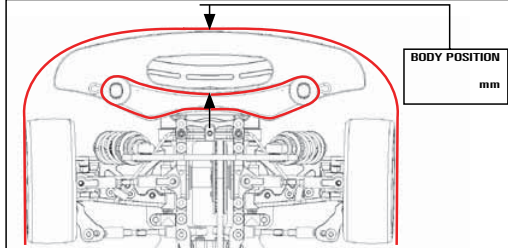
CITY/COUNTRY: _____

DATE: _____

TEMPERATURE	AIR	<i>70</i> °	TRACK	<i>0</i>
QUALIFYING POSITION	BEST LAP TIME	SEC	FINAL POSITION	RACE LENGTH
MIN				
TRACK CONDITION				
<input checked="" type="checkbox"/> TECHNICAL	<input checked="" type="checkbox"/> CARPET	<input type="checkbox"/> ASPHALT		
<input checked="" type="checkbox"/> LOW	<input type="checkbox"/> MIXED	<input type="checkbox"/> FAST		
TRACTION				
<input type="checkbox"/> LOW	<input type="checkbox"/> MEDIUM	<input type="checkbox"/> HIGH		

FRONT		REAR	
TRANSMISSION			
GEAR DIFF		GEAR DIFF	
<input type="checkbox"/> <i>600</i> CST	<input type="checkbox"/> <i>3000</i> CST		
ONE WAY		SOLID	
<input type="checkbox"/>	<input type="checkbox"/>		
BALL DIFF		BALL DIFF	
<input type="checkbox"/> LOOSE	<input type="checkbox"/> MEDIUM	<input type="checkbox"/> LOOSE	<input type="checkbox"/> MEDIUM
<input type="checkbox"/> TIGHT	<input type="checkbox"/> TIGHT		
MIDDLE SHAFT		FIXED <input checked="" type="checkbox"/> ONE WAY <input type="checkbox"/>	
PINION	<i>28</i> T	SPUR GEAR	<i>112</i> T
FINAL DRIVE RATIO		ROLLOUT	mm
MOTOR	<i>Reedy</i>	TIMING	<i>20</i>
ROTOR		ARMATURE	
ESC	<i>LRP</i>	BATTERIES	<i>Orca 6000</i>
BRUSHLESS	PROGRAM	PUNCH	INITIAL BRAKE
AUTO BRAKE			

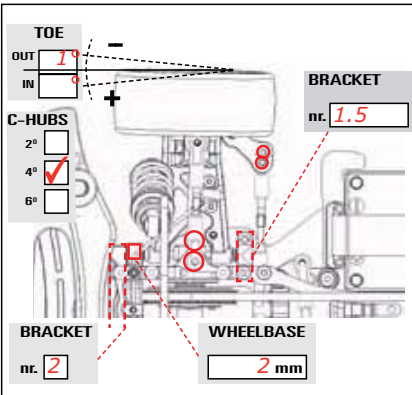
BODY		WING	
FRONT	SHOCK ABSORBERS	REAR	
OIL	Brand	OIL	
<i>600</i> CST	<input type="radio"/> OPEN	<i>500</i> CST	
SPRING	<input checked="" type="radio"/> CLOSED	SPRING	
<i>Gray</i>		<i>Gray</i>	
THICKNESS	ANTI-ROLL BAR	THICKNESS	
<i>1.4</i> mm		<i>1.2</i> mm	
TIRES	Jacco	DIAMETER	mm
<i>SXT</i>		INSERTS	
ADDITIVE	<i>SXT</i>		



REMARKS Editable by Arn0 at PetitRC.com

160119 machined piston 3holes
All hard arms, C-hubs and uprights
5 gram in front of the battery.
12gram in the center front.
20gram in the center of the car.

FRONT



REAR

