

DRIVER, TRACK AND RESULTS

DRIVER COUNTRY WEATHER AIR TEMP TRACK TEMP DRY INTERMEDIATE WET

RACE DATE QUALY POS. STARTING POS. FINAL POS. FASTEST LAP

TRACK TYPE TIGHT MEDIUM OPEN GRIP LOW MEDIUM HIGH

SURFACE CONDITION SMOOTH ROUGH

TYPE HARD PACKED CLAY MULTI/SURFACE GRASS BLUE GROOVE DIRT ASTRO-TURF

FRONT SHOCK ABSORBERS		REAR	
<input type="text"/> cst	<input type="text"/> OIL	<input type="text"/> cst	<input type="text"/> cst
<input type="text"/> SPRINGS			
<input type="text"/> mm	<input type="text"/> REBOUND	<input type="text"/> mm	<input type="text"/> mm
N° HOLES <input type="text"/>	<input type="text"/> mm	PISTONS N° HOLES <input type="text"/>	<input type="text"/> mm
<input type="checkbox"/> STRAIGHT <input type="checkbox"/> ANGLED	HOLES TYPE	<input type="checkbox"/> STRAIGHT <input type="checkbox"/> ANGLED	
<input type="checkbox"/> BLADDER	SEAL	<input type="checkbox"/> BLADDER	
<input type="checkbox"/> EMULSION	TYPE	<input type="checkbox"/> EMULSION	

ANTI-ROLL BARS

FRONT ANTI-ROLL BAR <input type="text"/> mm	REAR ANTI-ROLL BAR <input type="text"/> mm
---	--

DIFFERENTIALS

FRONT DIFF <input type="checkbox"/> HTD <input type="checkbox"/> STD	CENTER DIFF <input type="checkbox"/> HTD <input type="checkbox"/> STD	REAR DIFF <input type="checkbox"/> HTD <input type="checkbox"/> STD
<input type="text"/> cst	<input type="text"/> cst	<input type="text"/> cst

GEARING

PINION <input type="text"/> Teeth	SPUR GEAR <input type="text"/> Teeth
-----------------------------------	--------------------------------------

ELECTRONICS

BATTERY

BRAND CAPACITY mAh

MOTOR

BRAND TYPE TIMING

ESC

BRAND TYPE

ELECTRONICS LAYOUTS

<input type="checkbox"/> LAYOUT 1	<input type="checkbox"/> LAYOUT 2
<input type="checkbox"/> 2S STICK BATTERIES	<input type="checkbox"/> 4S BRICK BATTERY
<input type="checkbox"/> 2S SHORTY REARWARD BATTERIES	<input type="checkbox"/> 2S STICK BATTERIES
<input type="checkbox"/> 2S SHORTY FORWARD BATTERIES	<input type="checkbox"/> 2S SHORTY REARWARD BATTERIES
	<input type="checkbox"/> 2S SHORTY FORWARD BATTERIES

AERODYNAMIC CONFIGURATION

BODY STANDARD HIGH DOWNFORCE OTHER

WING

TYPE WING PLATES 2° 4° 6°

GURNEY STRIP YES NO CENTER FOIL YES NO

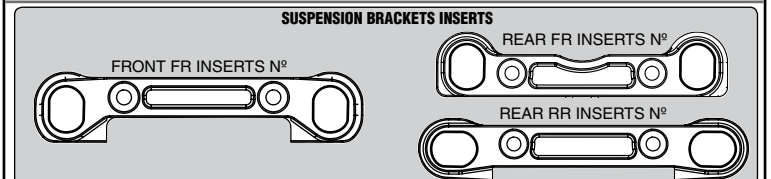
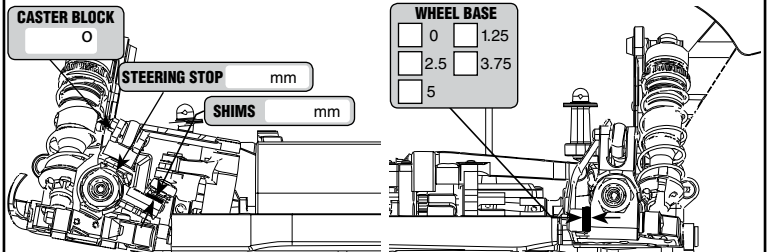
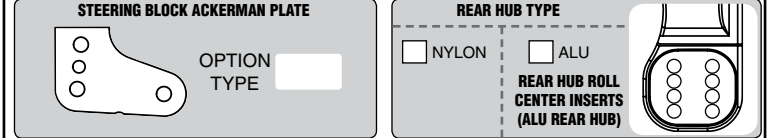
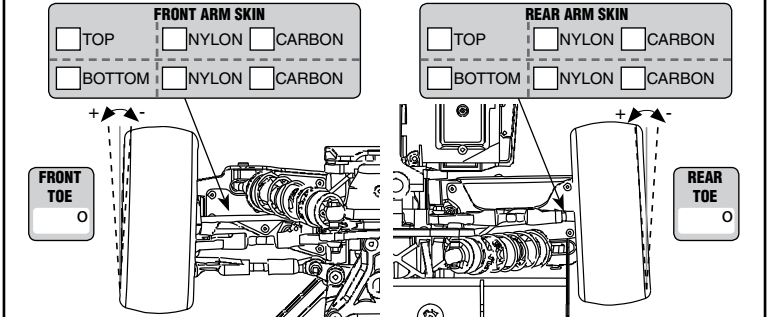
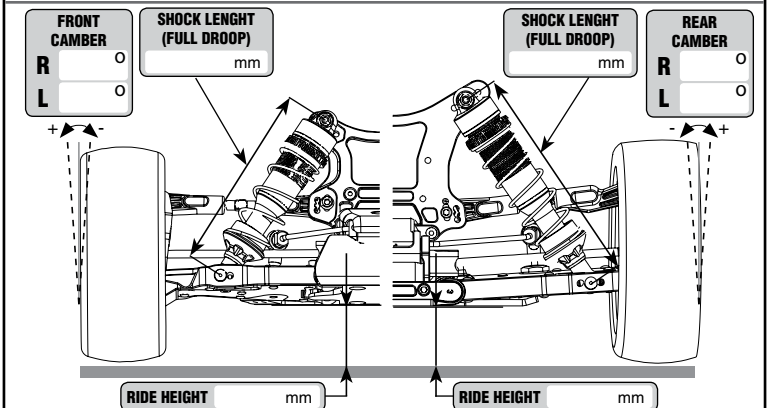
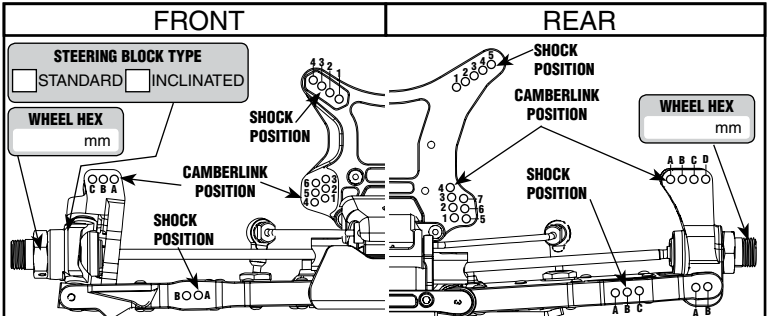
FRONT TIRES Controlled Tire REAR

MAKE

TYPE

INSERTS

WHEELS



REMARKS