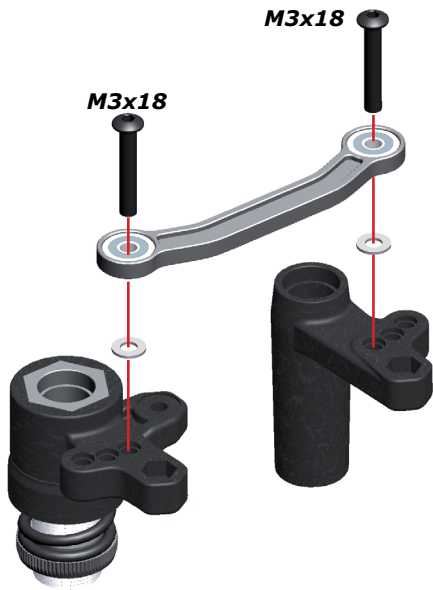


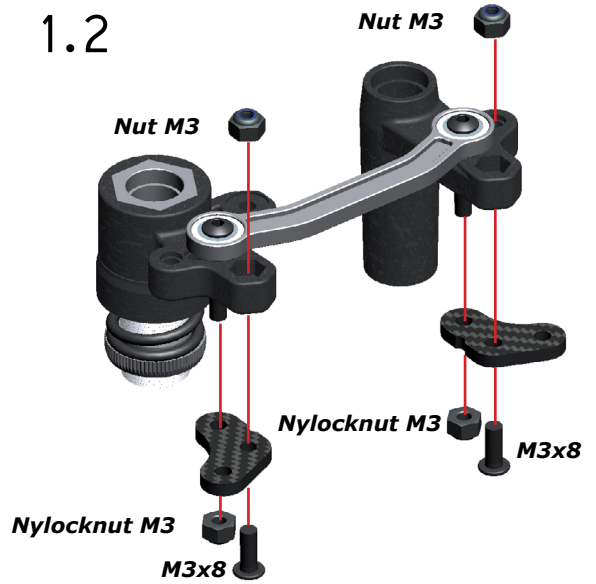
ACKERMANN SET S811 (#600698)

STEP
1

1.1

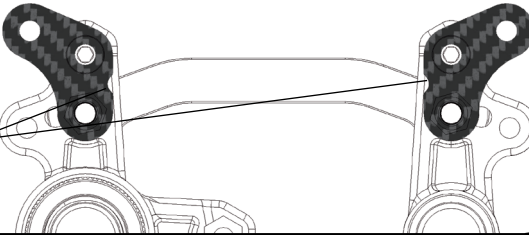


1.2



TIP

Note de orientation of the Ackermann carbon brackets' notches.



STEP
2

TIP

