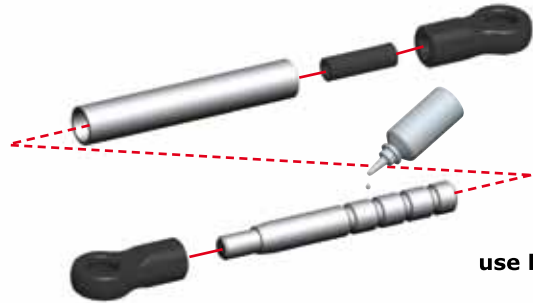


A OPTIONAL

Tube-set #411259

13



use heavy siliconoil (30000 cst)

