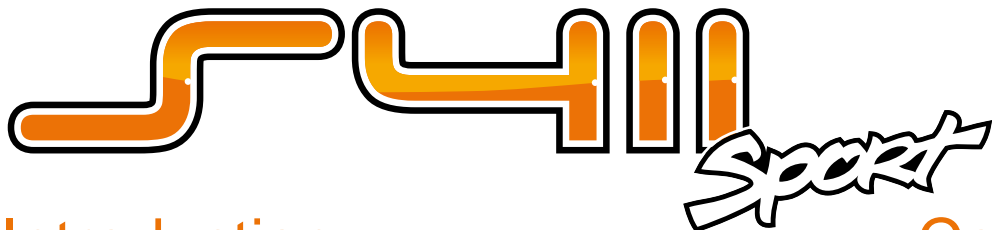




INSTRUCTION MANUAL
& REFERENCE GUIDE



Introduction

Serpent likes to welcome you to the fascinating world of rc car racing. You are now part of the worldwide network of Serpent drivers, which gives you access to superior technical and race support by dedicated Serpent people.

Serpent as a company has been active in racing, developing and manufacturing rc cars since 1979, and has gathered a large following of enthusiastic and dedicated rc car racers around the world.

The Serpent S411 is developed by an expert team of racers and engineers, to offer you the pinnacle of rc racing car technology. Continuously pushing the performance envelop, Serpent's engineers have added new and innovative features that help to take your Serpent S411 into the winners circle.

For latest information about S411 check on: www.serpent.com/400006

Enjoy building and racing the Serpent S411

Team Serpent



Contents

2	Introduction / contents
3	Safety, Customer service
	Read This First
4	Using the Manual
5	Assembly Instructions
47	Reference guide
48	Exploded views
60	Parts List

Safety

Read and take note of the 'Read this First section' before proceeding to assemble the car-kit. This car-kit is intended for persons aged 16 or older.

Customer service

Serpent has made a strong effort to make this manual as complete and clear as possible. Additional info may be published in our website: www.serpent.com or you may ask your dealer or the Serpent distributor for advice, or email Serpent direct: info@serpent.com The Serpent Facebook, Twitter and Youtube pages give additional means of support and communications.

Instructions, how to use

The kit includes bags, with bagnumbers, which refer to the same step in the manual. Open only the indicated bag(s) per step and finish that part of the assembly. Remaining parts will be needed later on in the assembly process.

Instructions

Serpent's long tradition of excellence extends to the instruction manuals, and this instruction manual is no exception. The easy-to-follow layout is richly illustrated with 3D-rendered full-color images to make your building experience quick and easy. Following the instructions will result in a well-built, high-performance race-car that will soon be able to unleash its full potential at the racetrack.

SETUP

In certain assembly steps you need to make basic adjustments, which will give you a good initial setup for your Serpent S411. Fine-tuning the initial setup is an essential part of building a high-performance racecar like your S411.

Exploded views and partslist

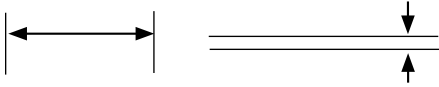
The exploded views and parts lists for the Serpent S411 are presented in the Reference Guide section in the back of this manual. The exploded views show all the parts of a particular assembly step along with the Serpent part number. The parts lists indicate the part number and name of each part for easy reference when ordering.

Read this first!

- This is a highly technical hobby product, intended to be used in a safe racing environment. This car is capable of speeds in excess of 80 km/h or 50mph. Please follow these guidelines when building and operating this model.
- Parental guidance is required when the builder/user of this car is under 16.
- Follow the building instructions. If in doubt, contact your dealer or importer.
- Be sure to use the proper tools when assembling the car. Always exercise caution when using electric tools, knives and other sharp objects.
- Be careful when using liquids like lubrication oil, fuel or glue. Do not swallow.
- Follow the manufacturer's instruction in case you experience irritation after using the product.
- Be careful when operating the car. Stay away from any rotating parts such as wheels, gears and transmission. Stay away from motor, engine and exhaust pipe system or speedo during and immediately after use, as these parts may be very hot. We advise to use protective hand gloves.
- Only operate this car in a safe environment, like a special racing track or a closed parking lot. Avoid using this car on public roads, crowded places or near infants.
- Before operating this car, always check the mechanical status of the car. Also check that the transmitter and receiver frequencies correspond and are not used by any other racer at the same time. Check that the batteries of the transmitter and receiver- are fully charged.
- After use, always check all the mechanics of the car. We advise to clean the car immediately after use, and inspect the parts for wear or fractures. Replace when necessary. Do not use water, methanol, thinner or other solvents to clean the car.
- Empty the fuel tank (depending on model) if needed and disconnect the receiver battery.
- Store the car in a dry and heated place to avoid corrosion of metal parts.
- Avoid using this car in wet conditions as the water will cause corrosion on the metal parts and bearings and these parts will cease to function properly. If driven in the wet, ensure that all the electric equipment is waterproofed and after use, that all moving parts are dried immediately.

USING THE MANUAL

①

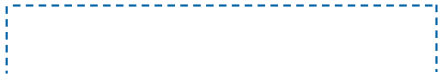


Step number;
the order in which you should assemble the indicated parts

Length after assembly / Gap between two items



Assembly path of one item into another



Group of items (within lines) should be assembled first



Direction the item should be moved



Glue one item to another



Press/Insert one item into another

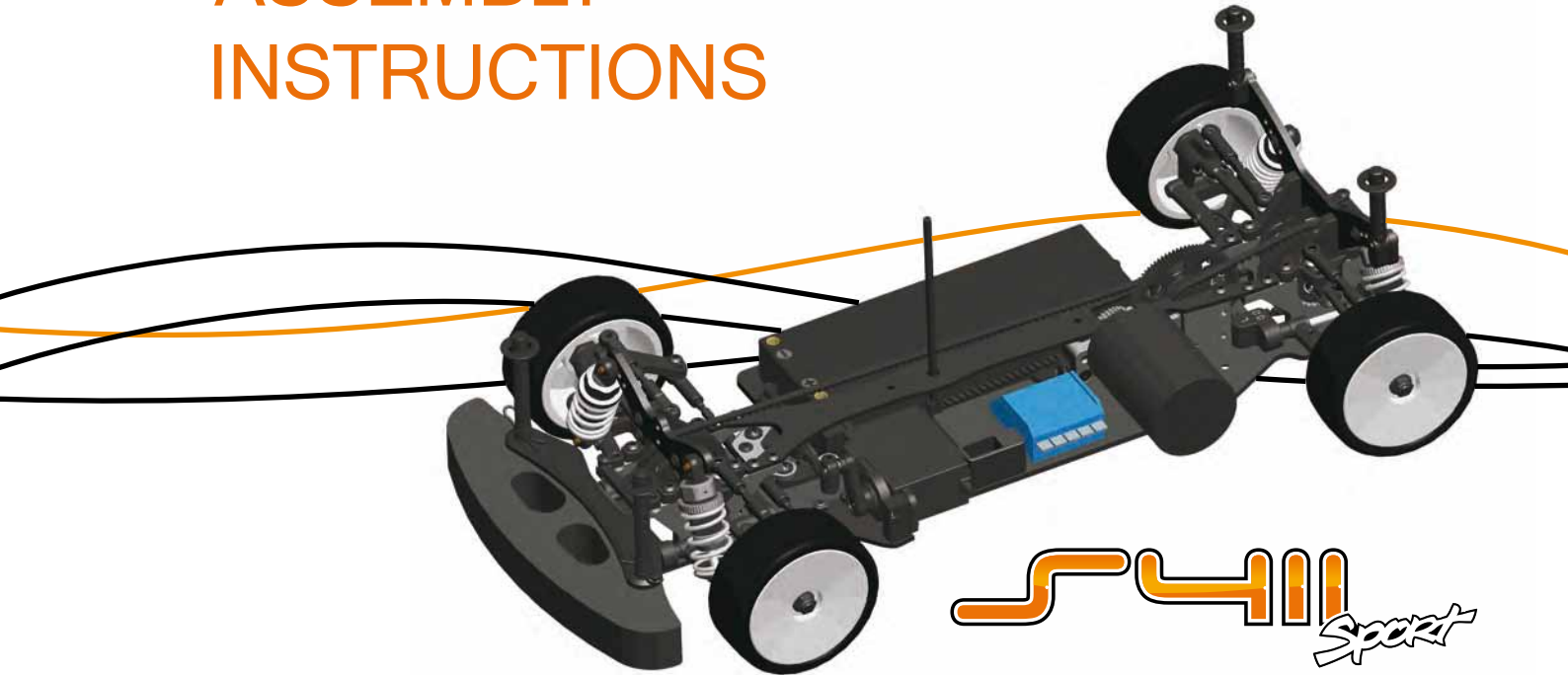


Connect one item to another

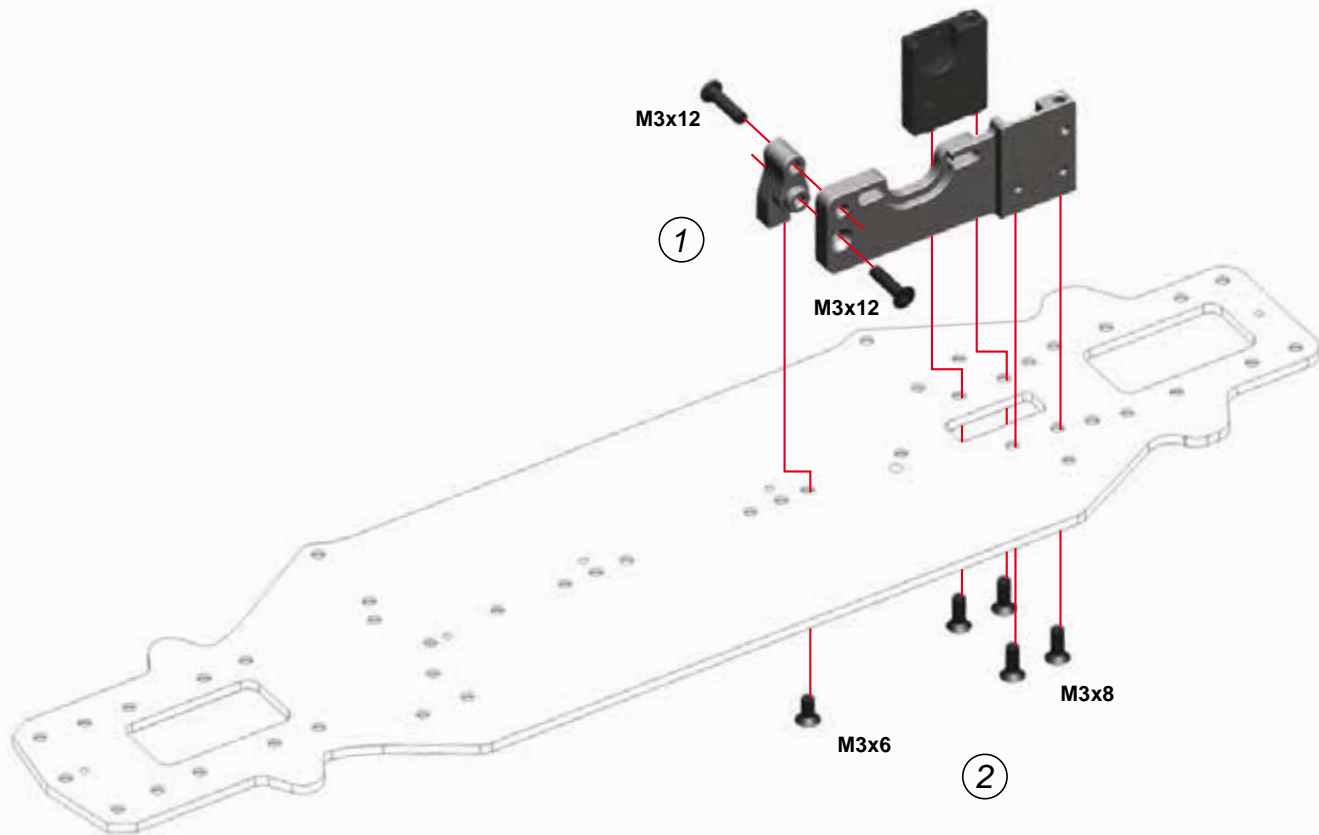


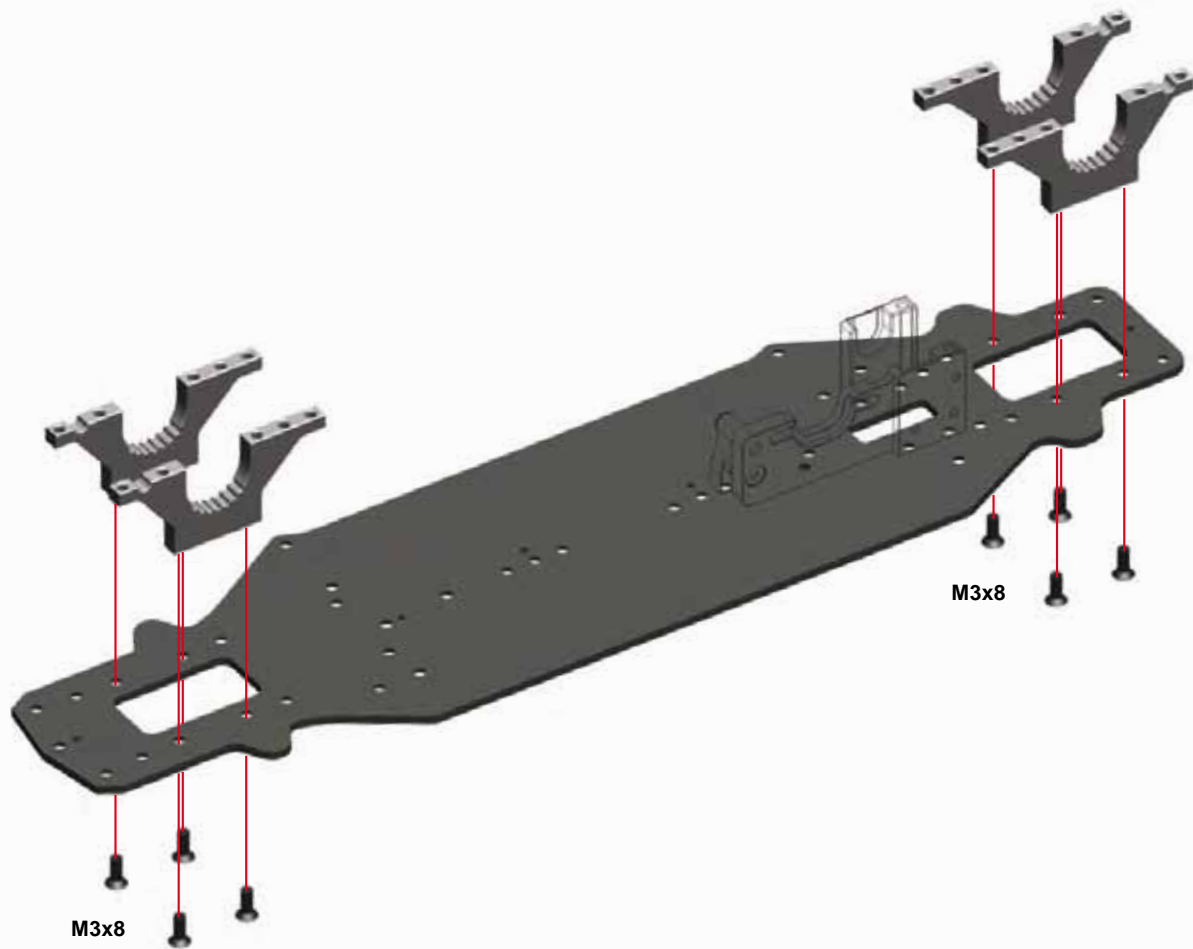
Apply transmission grease*(Grey), threadlock* (Blue), CA glue* (Red)
or differential oil (Orange), Silicon oil (*Items not included.)

ASSEMBLY INSTRUCTIONS



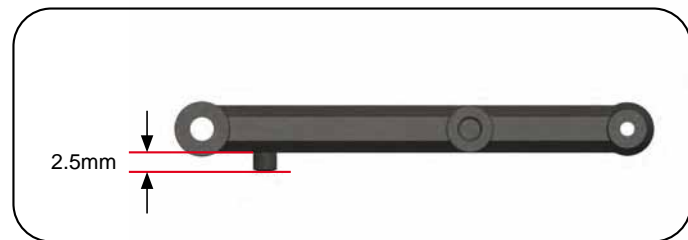
S411 Sport

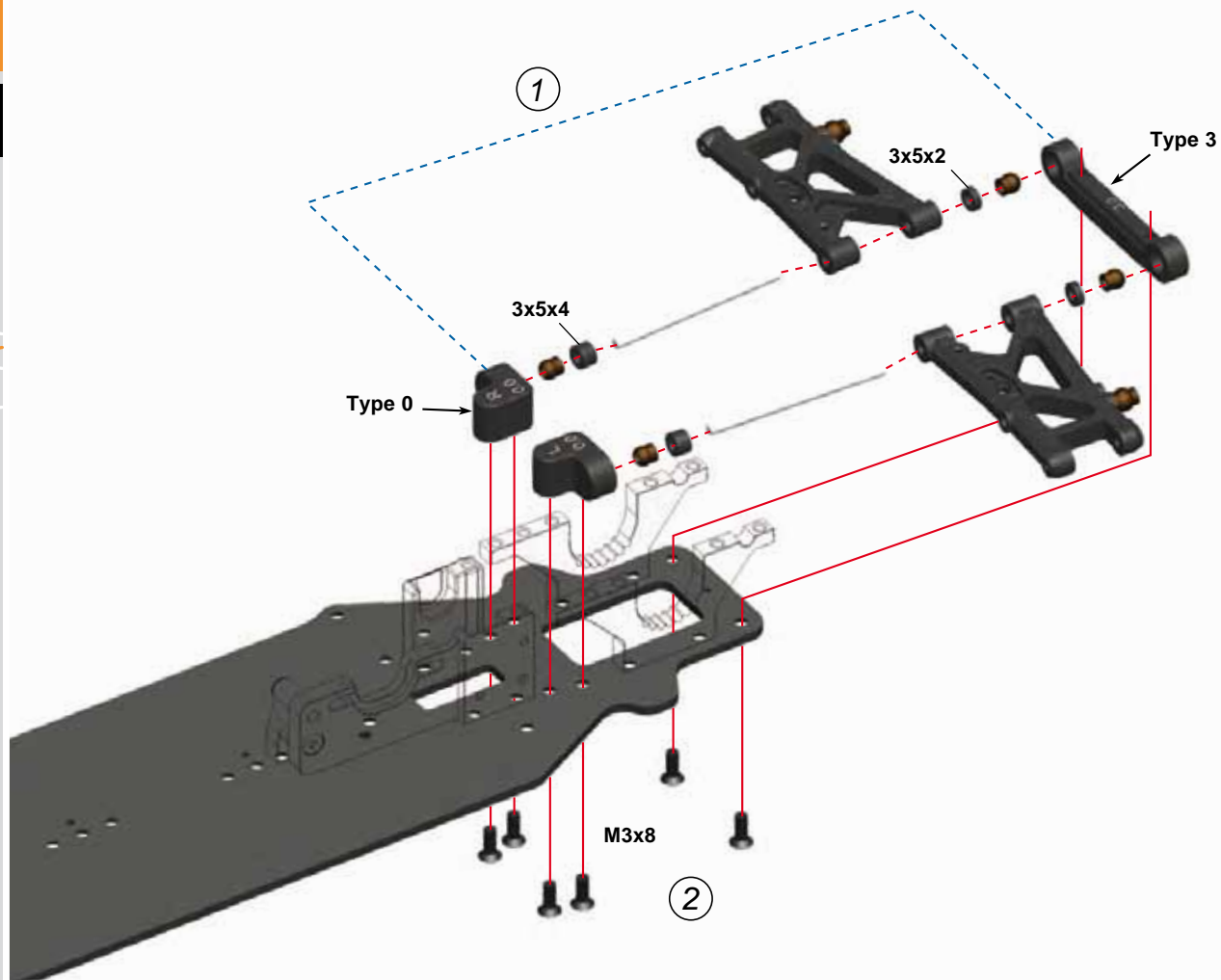


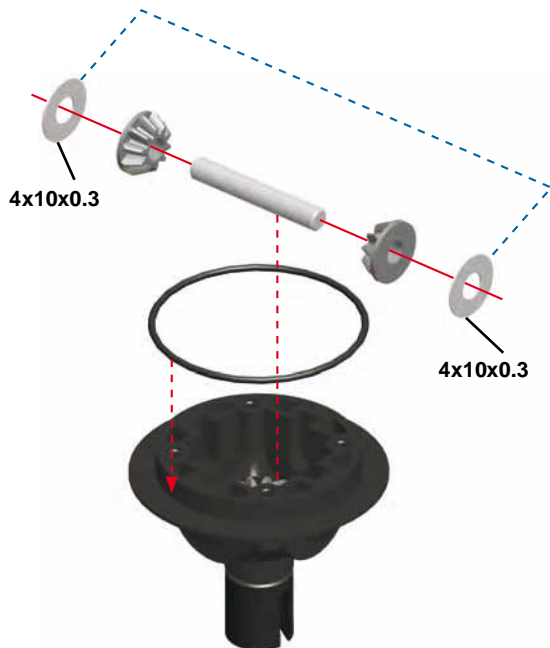


M3x8

M3x8

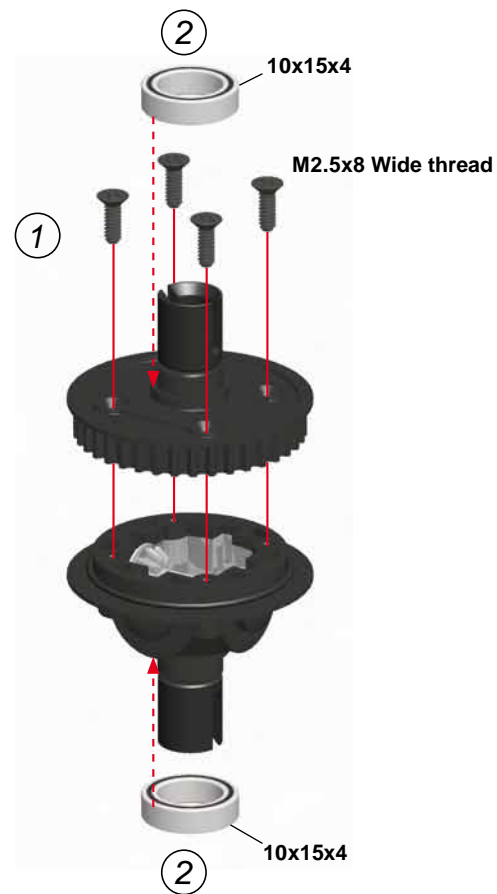
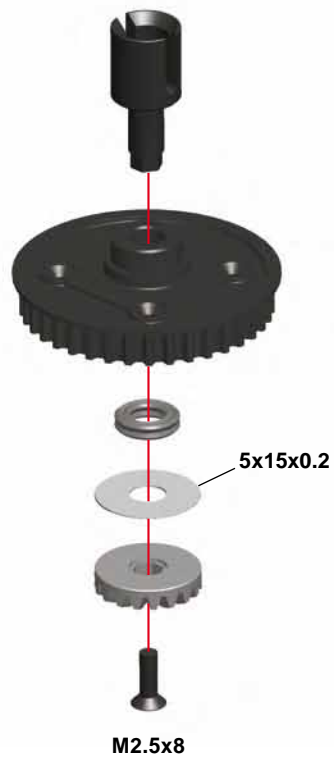


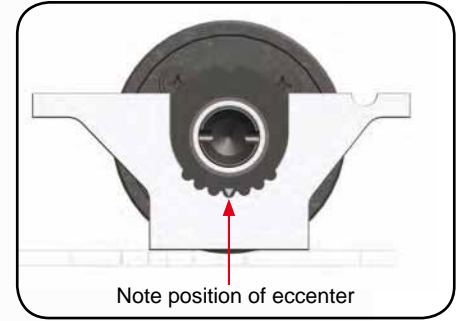
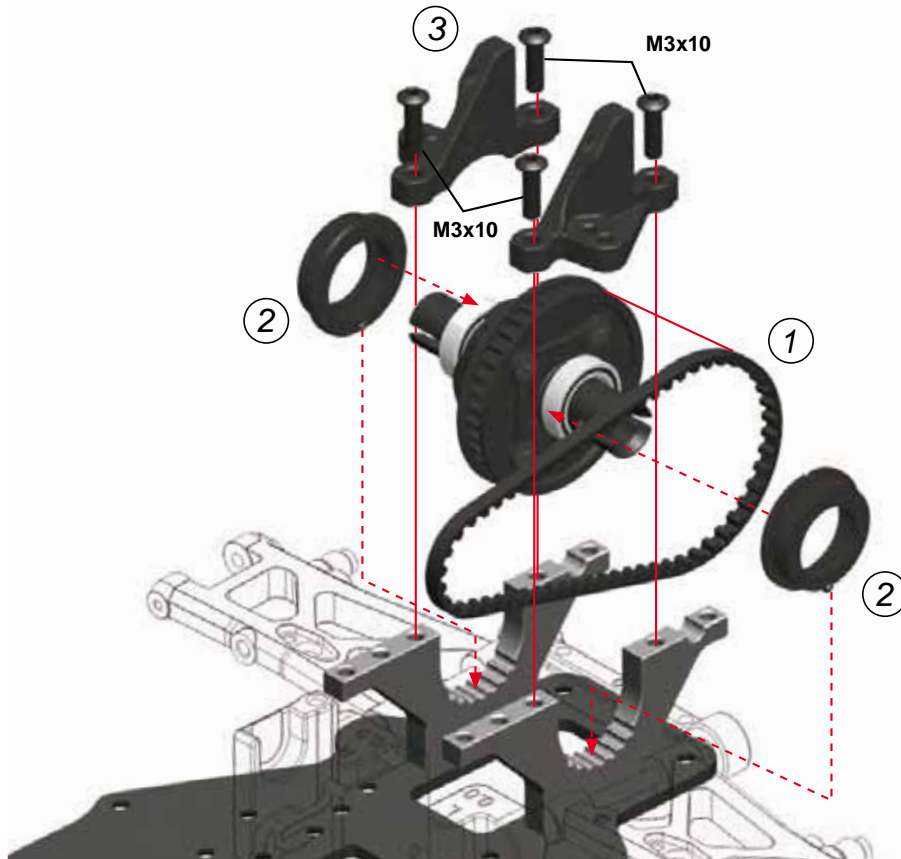


A**5****DIFF**
BAG**A****6****A****7**

Fill up with silicone oil until the shaft is just covered.
Check default SET-UP sheet for CST value of the silicone oil.







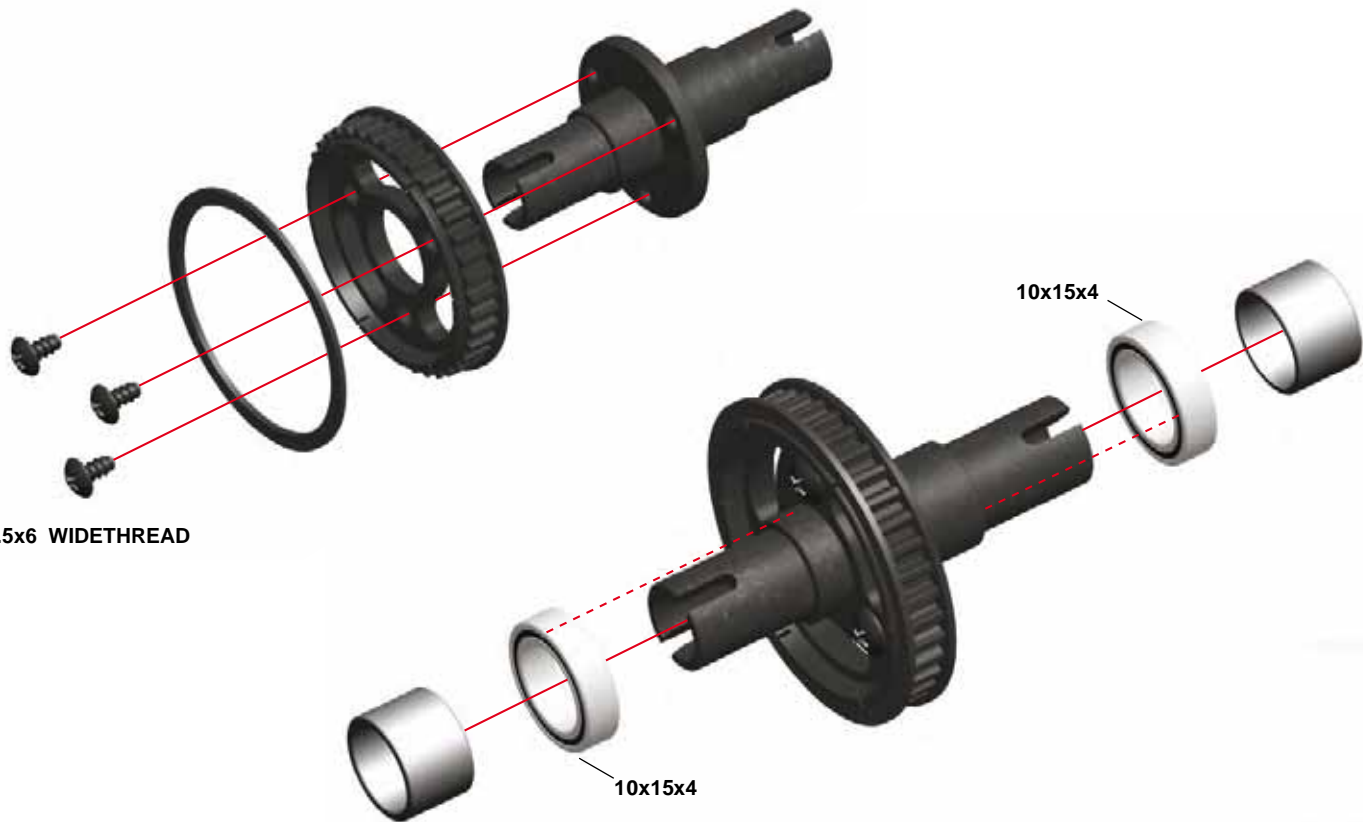
A

11

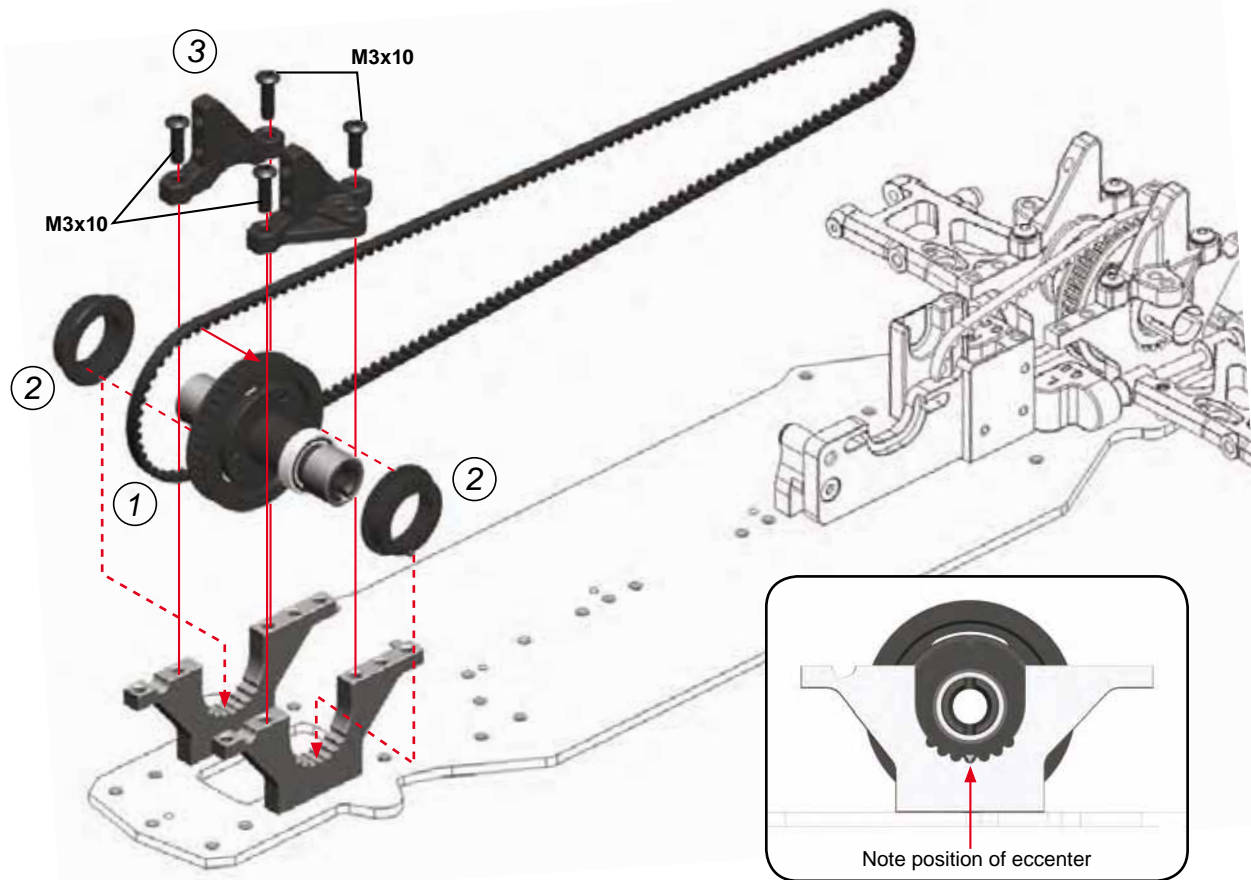
A

12

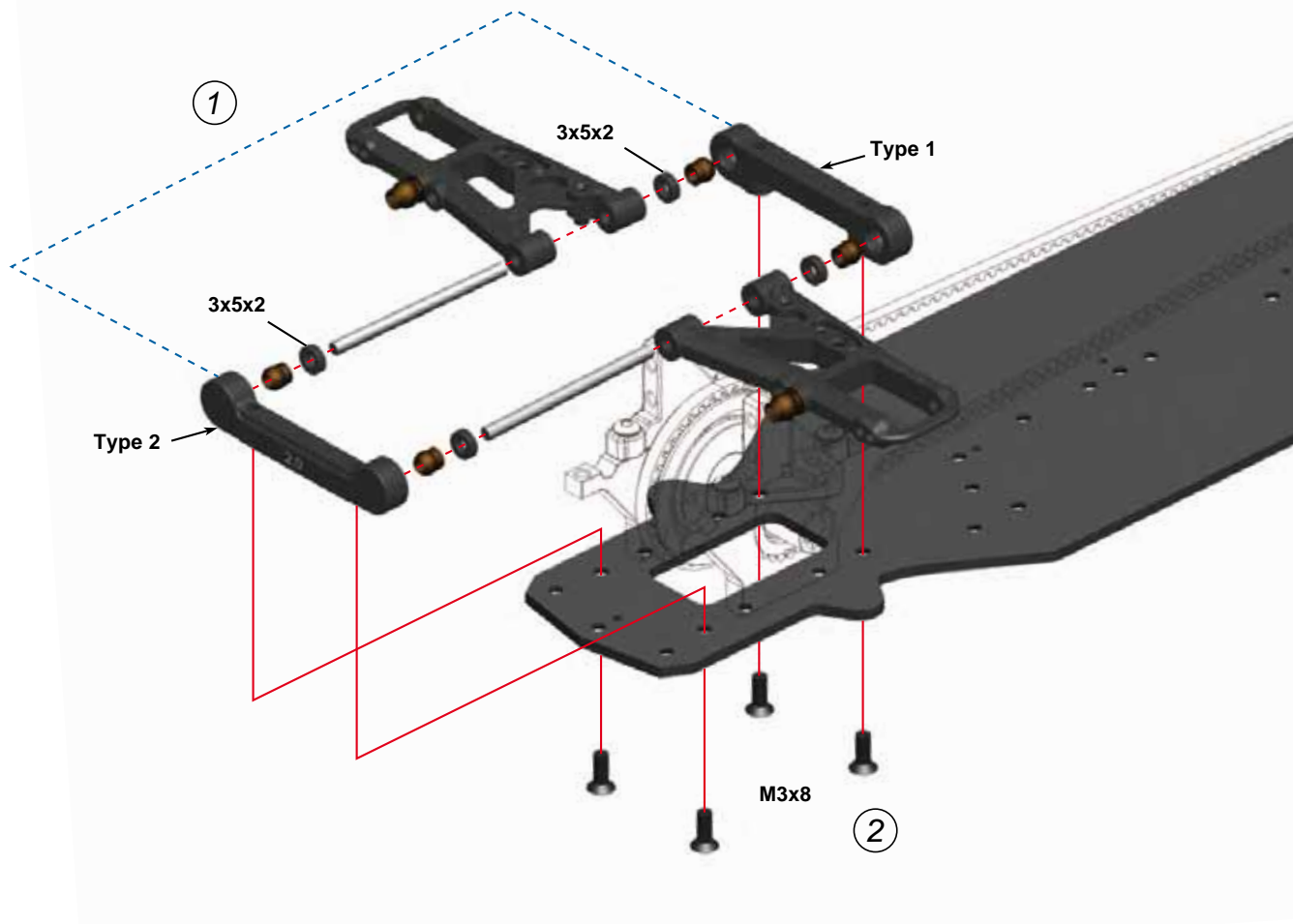
M2.5x6 WIDETHREAD



13



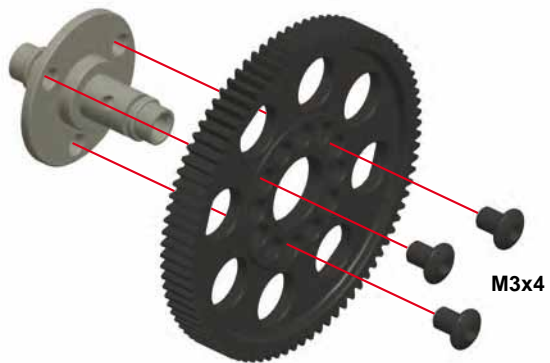




A

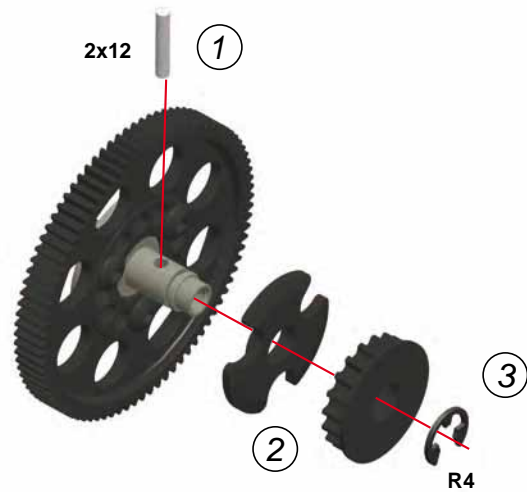
16

BAG
4



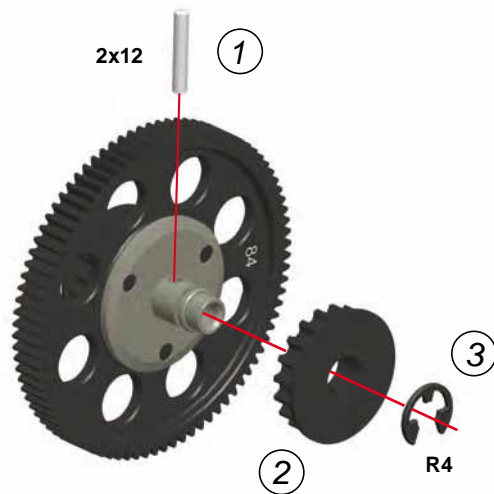
A

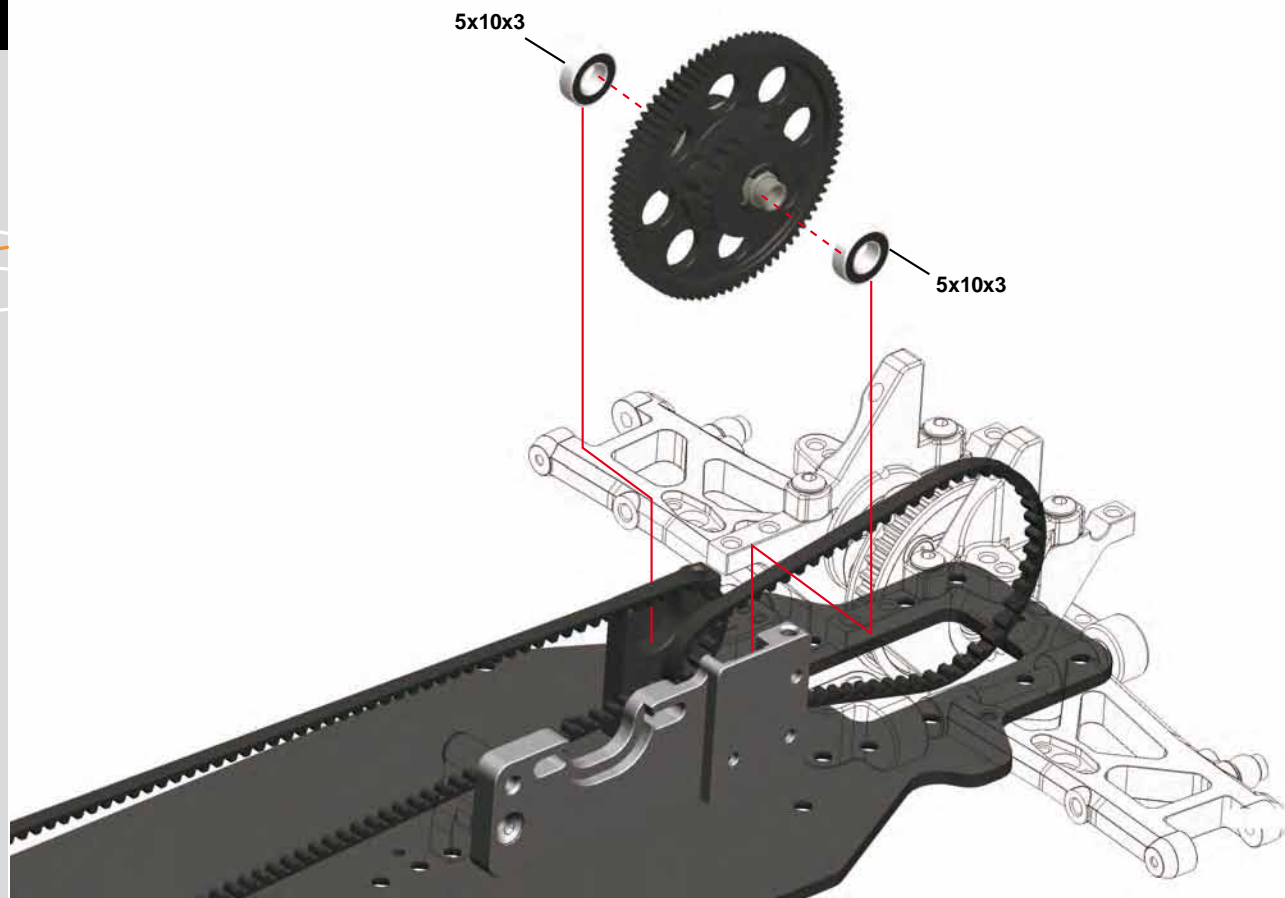
17

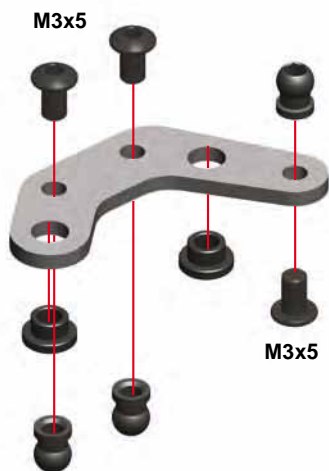


A

18

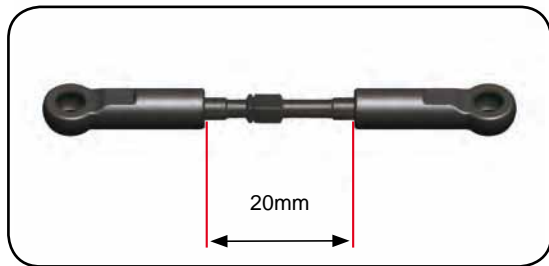






A

22

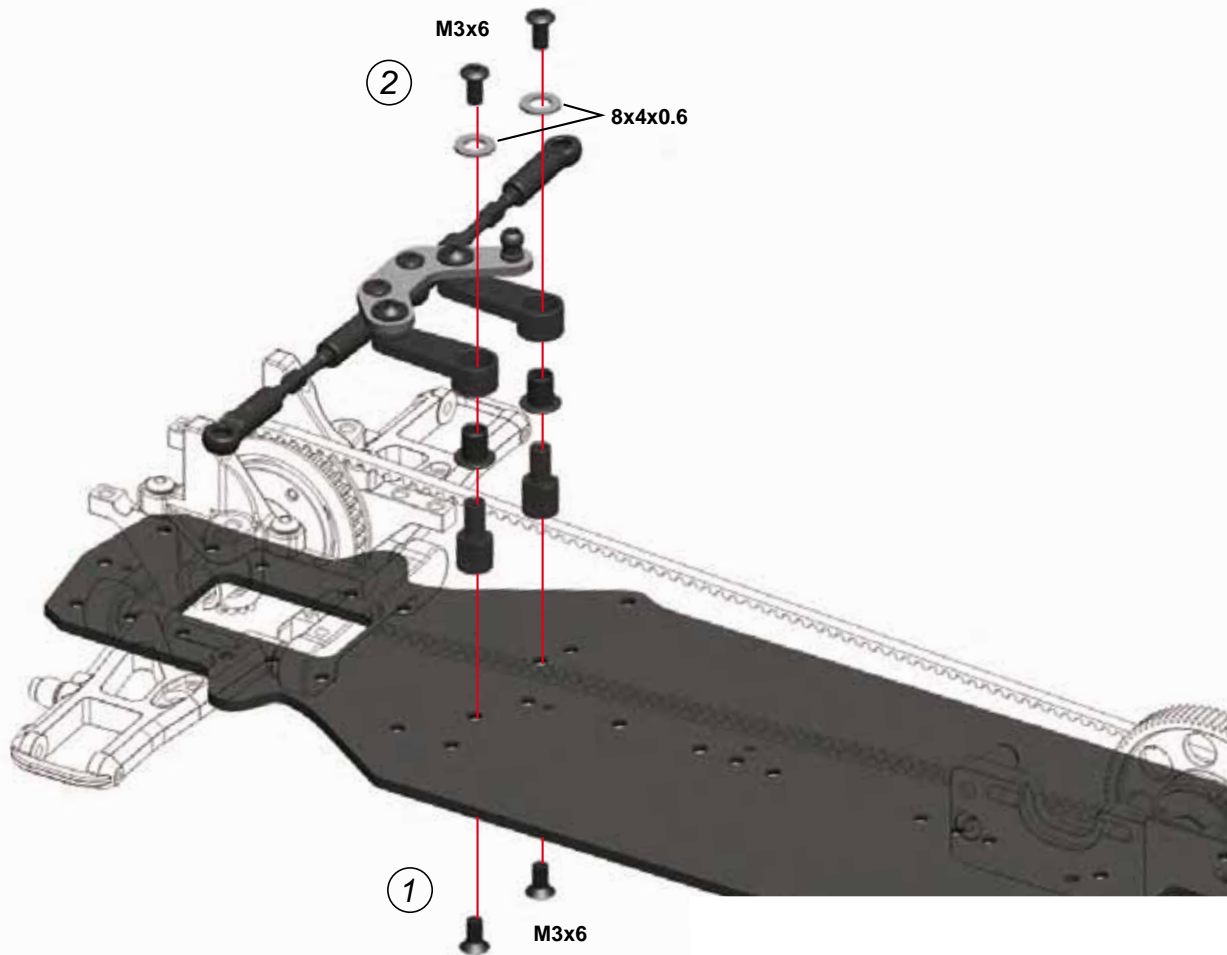


A

23



20

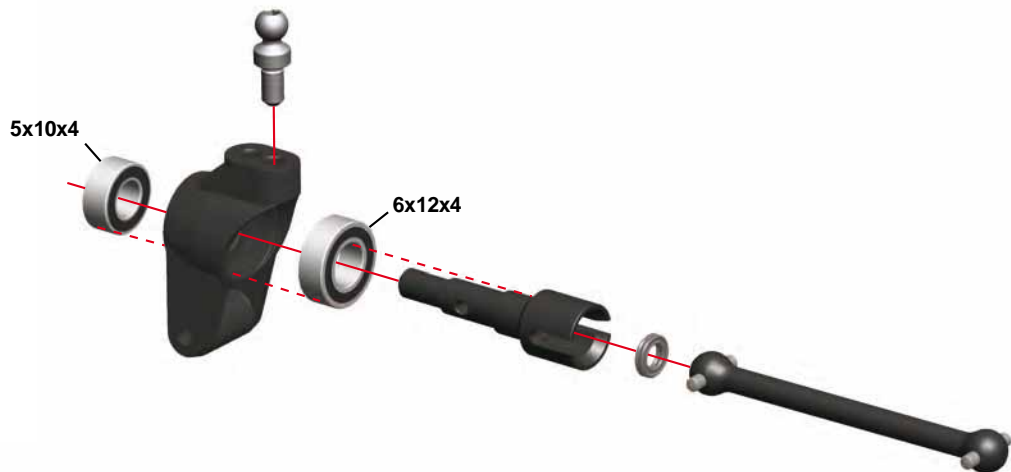


A

25

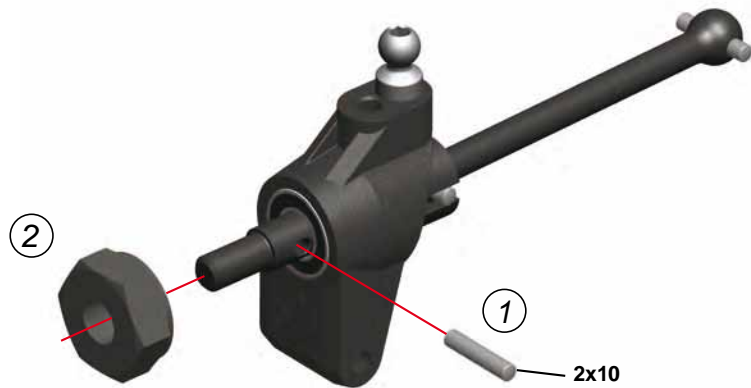
BAG

5



A

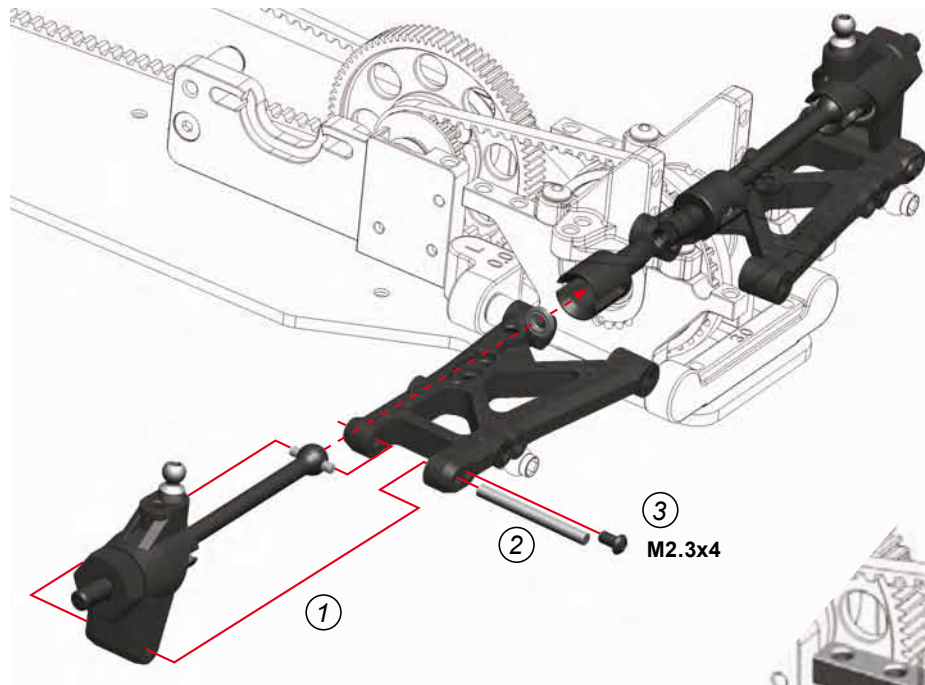
26



22

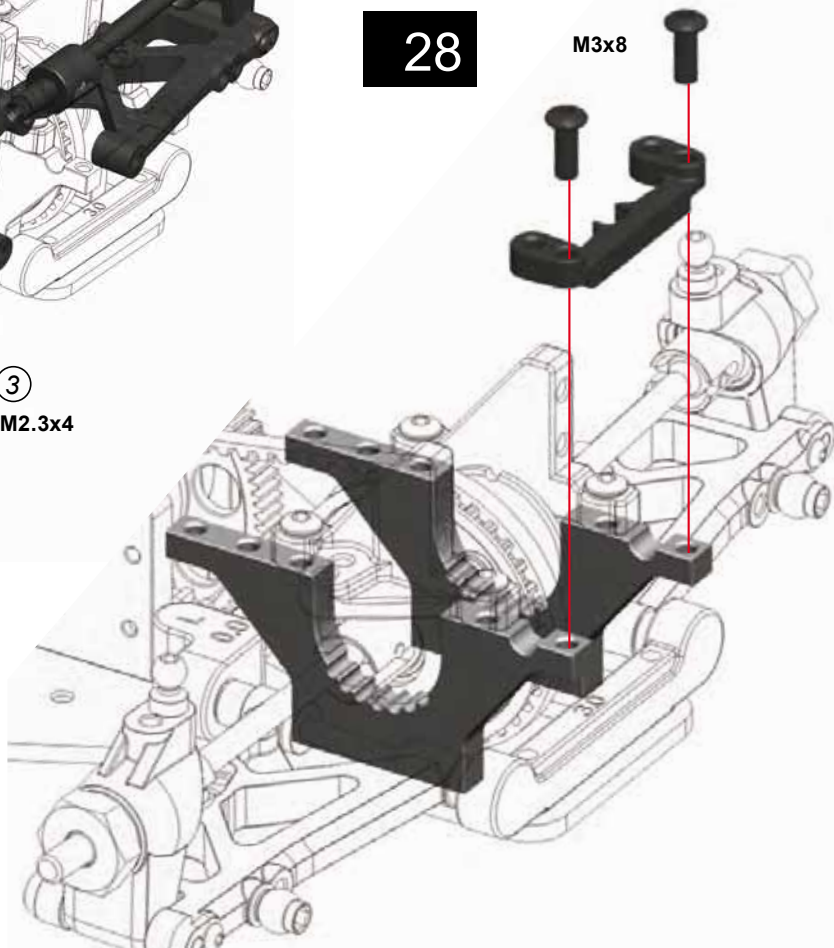
A

27



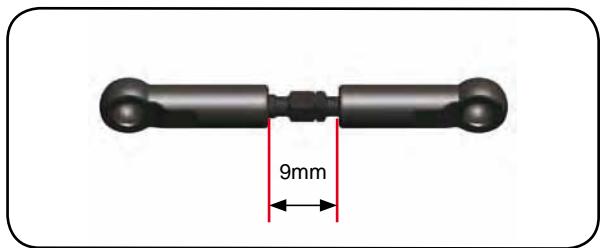
A

28



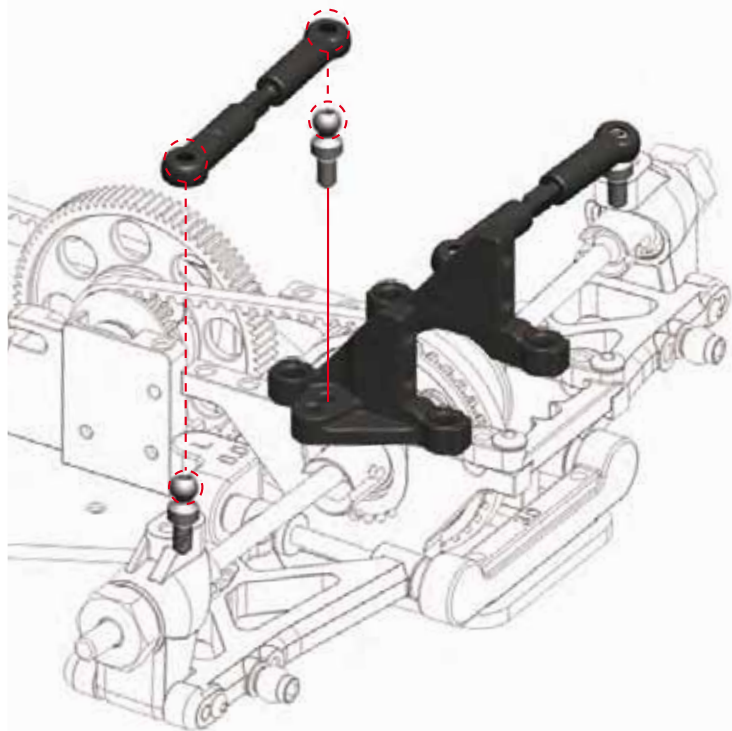
A

29



A

30



A

31

BAG
6

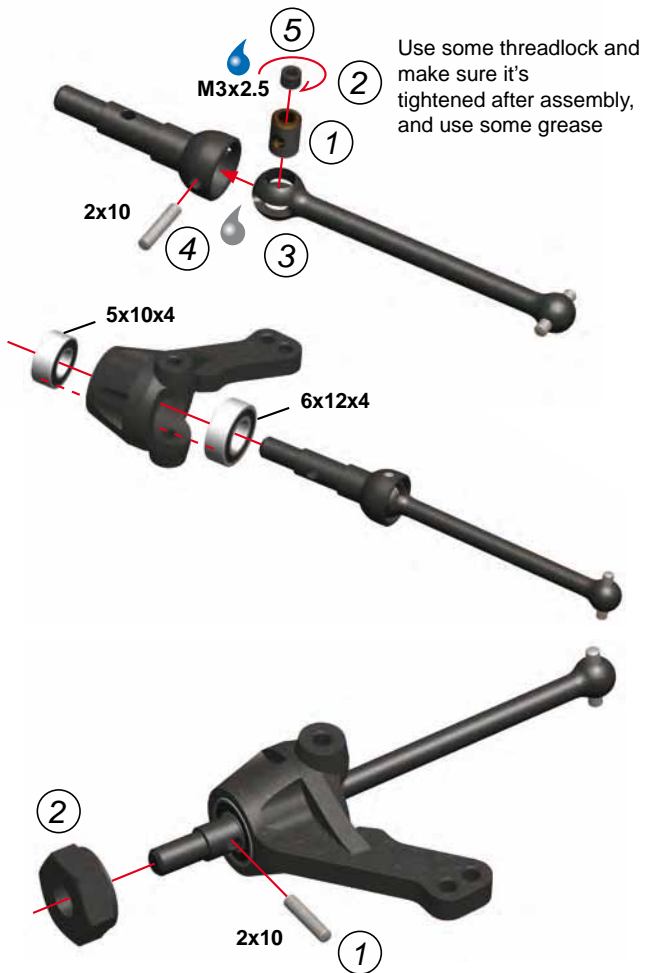
A

32

A

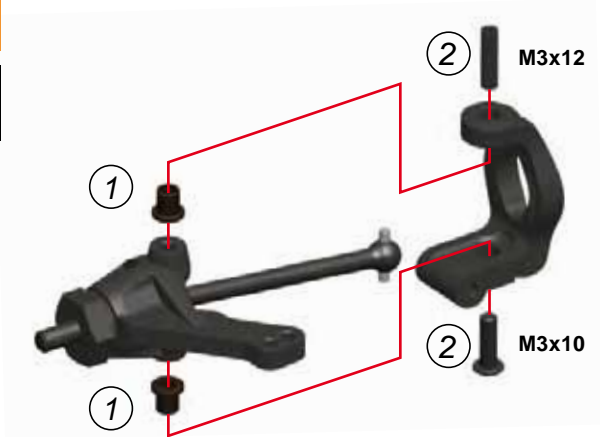
33

25



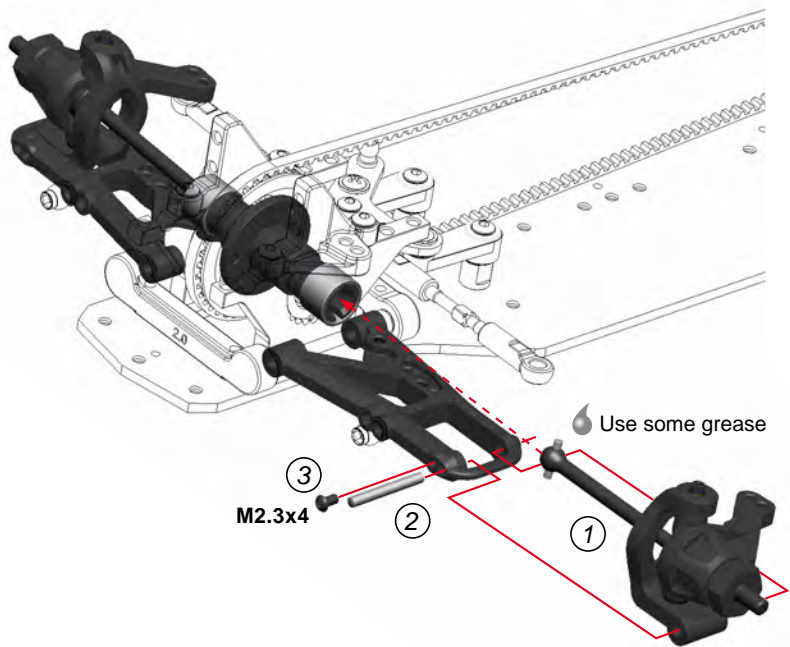
A

34



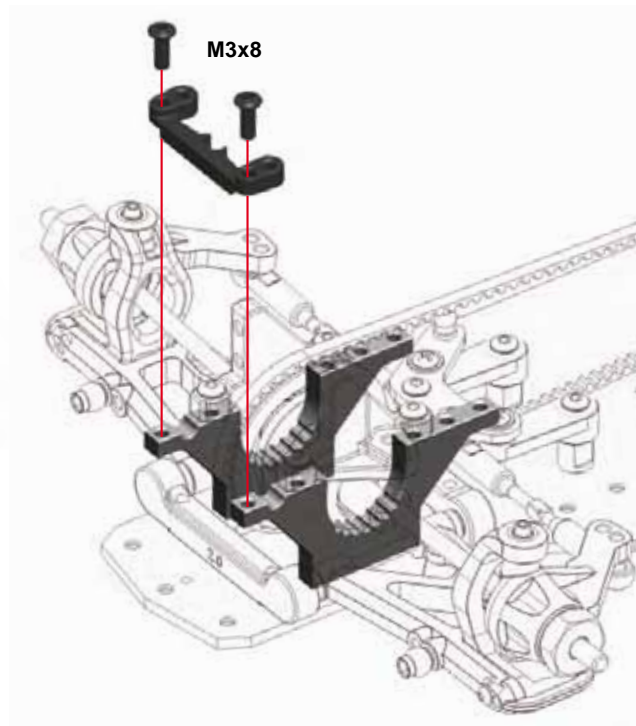
A

35



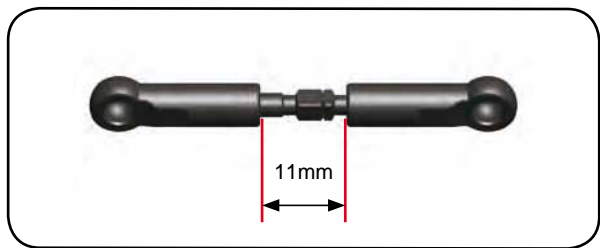
A

36



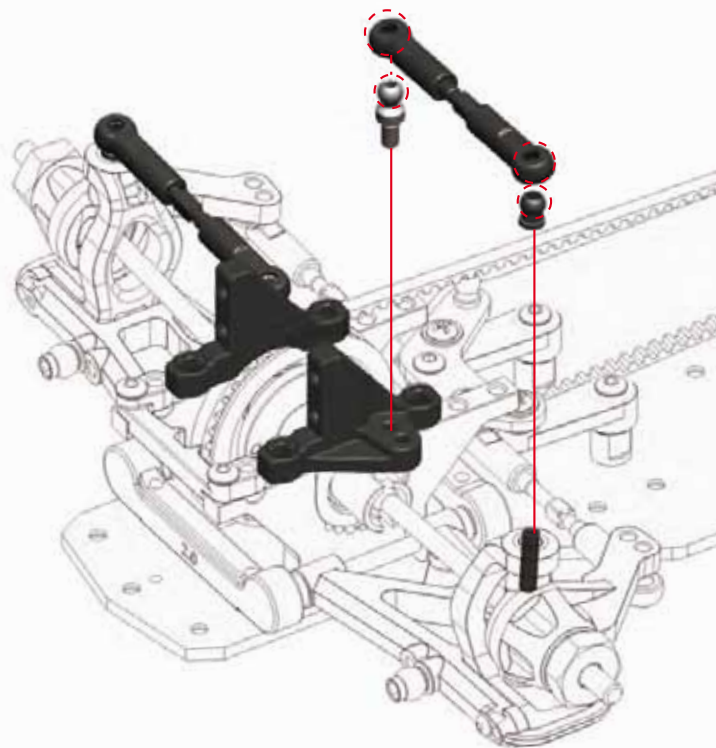
A

37



A

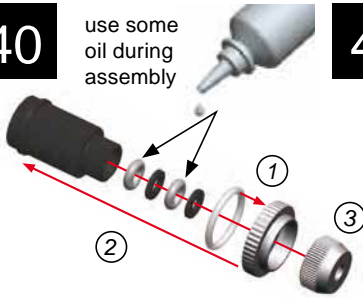
38





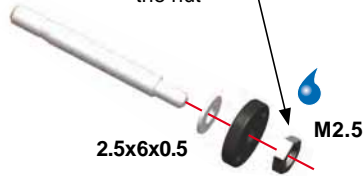
40

use some oil during assembly



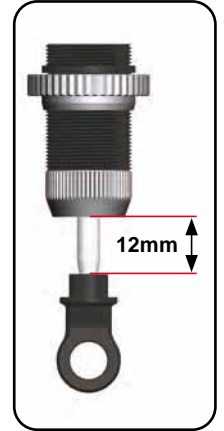
41

use some threadlock to fix the nut



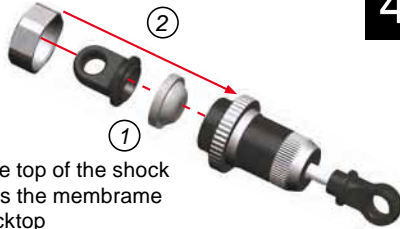
42

use some oil during assembly



43A

assemble the top of the shock
this will press the membrane
into the shocktop



43B

remove the top
of the shock



44A

Fill the shock body
with the supplied
shock absorber oil.
Slowly move the
shockrod up and down
to let all airbubbles
escape



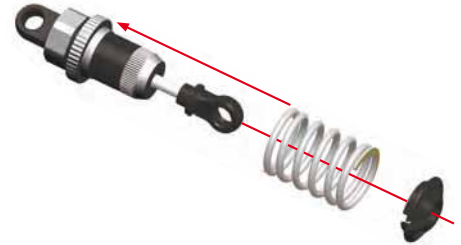
44B

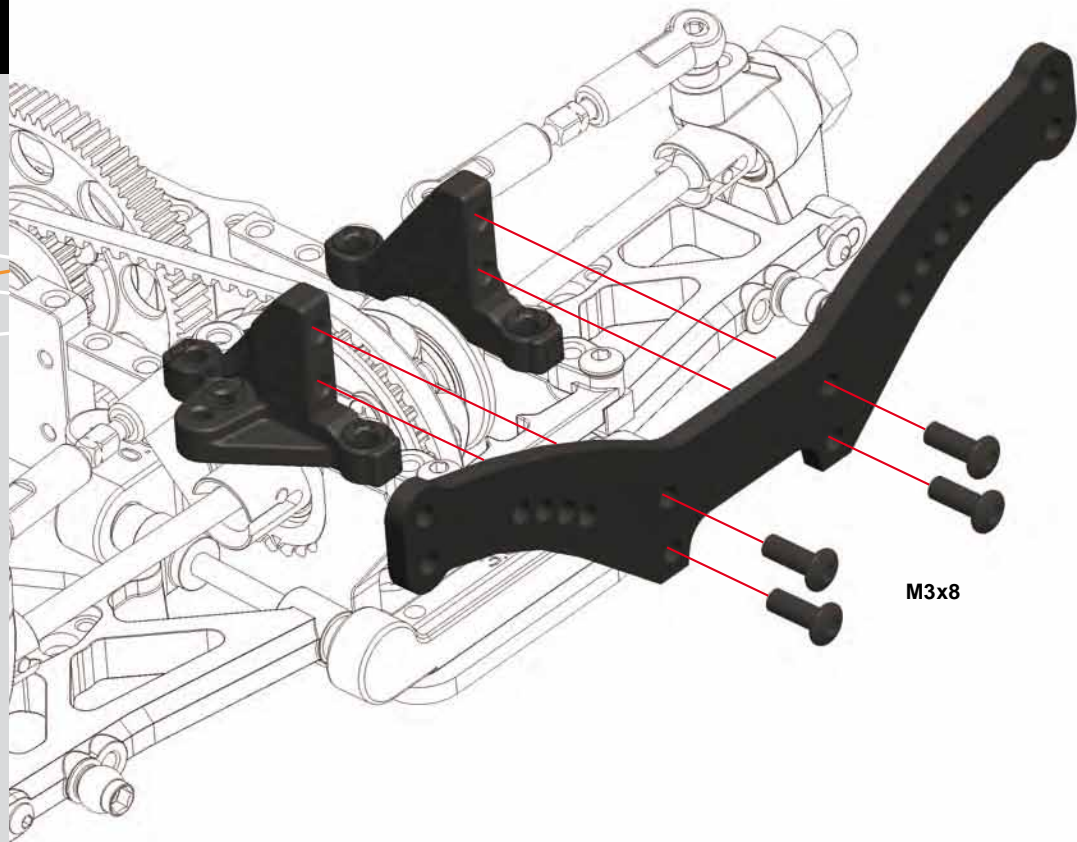
close the top
of the shock



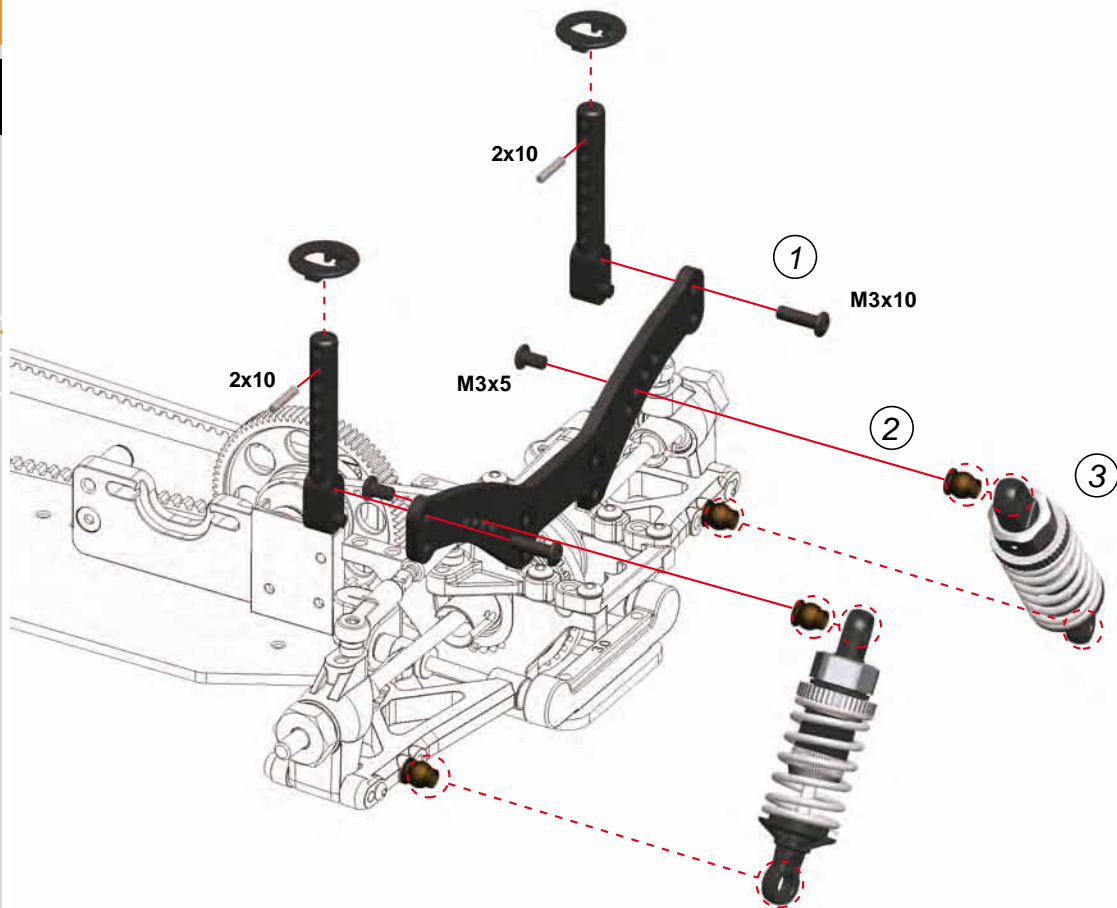
45

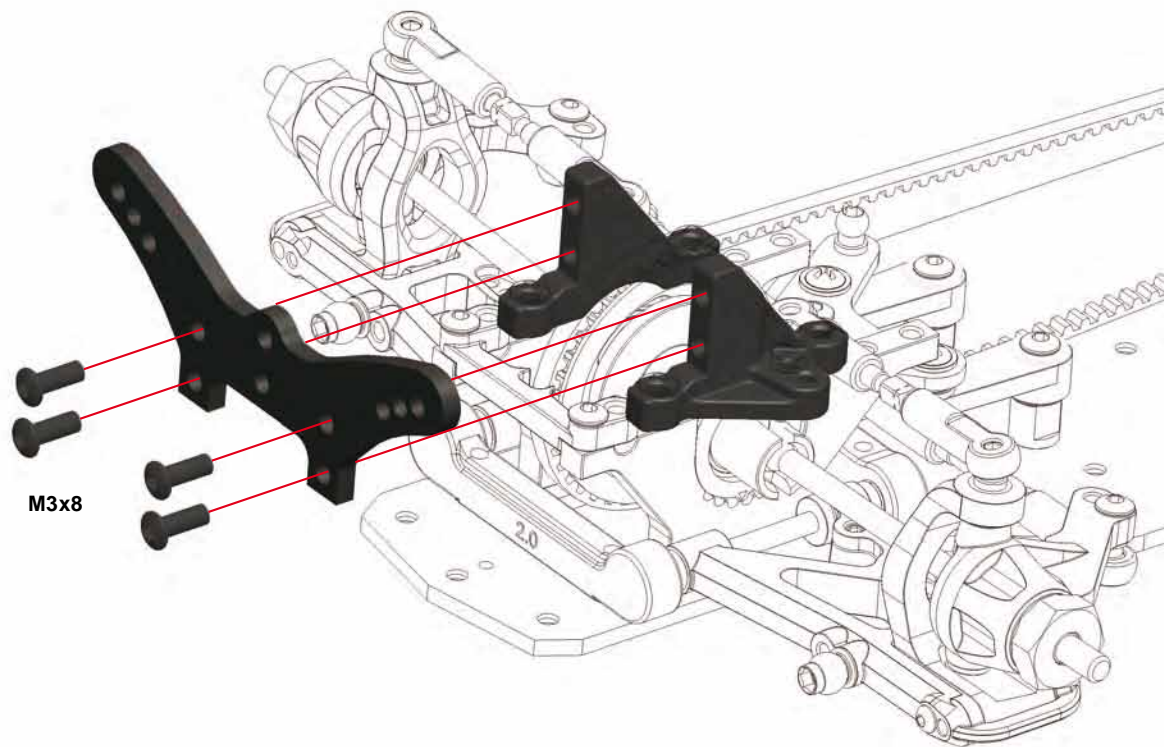
assemble the spring and springcup
to complete the shock
front: orange
rear: yellow

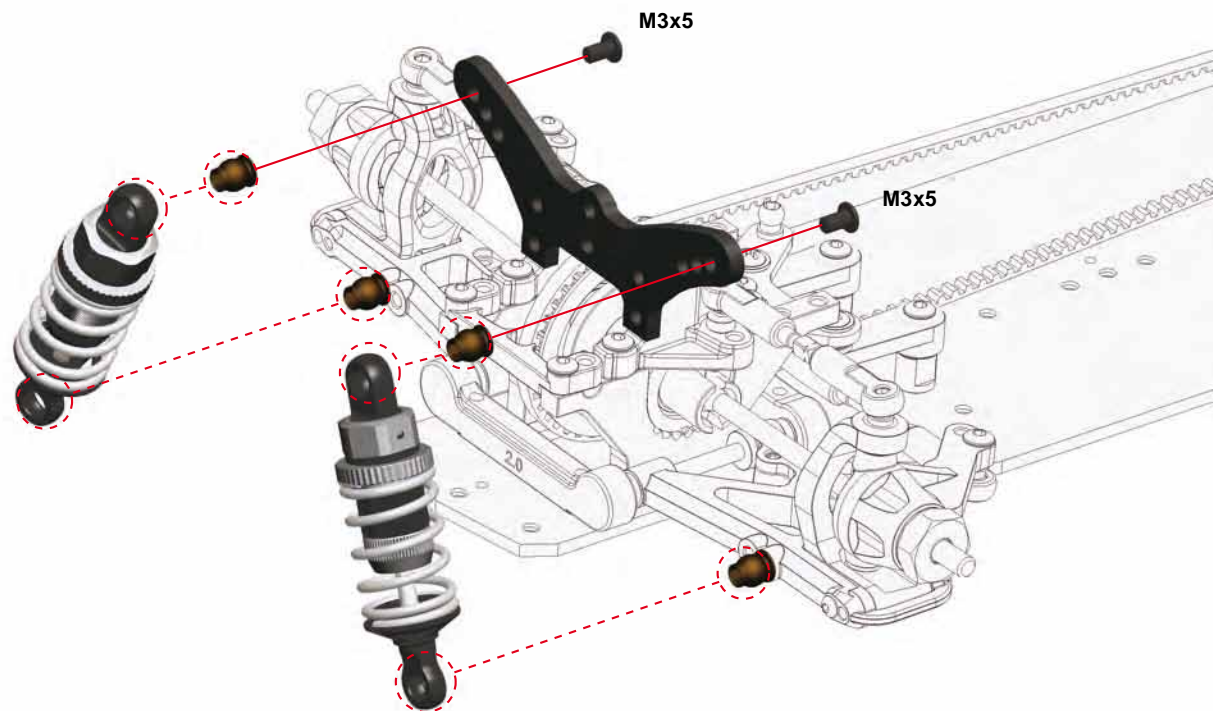


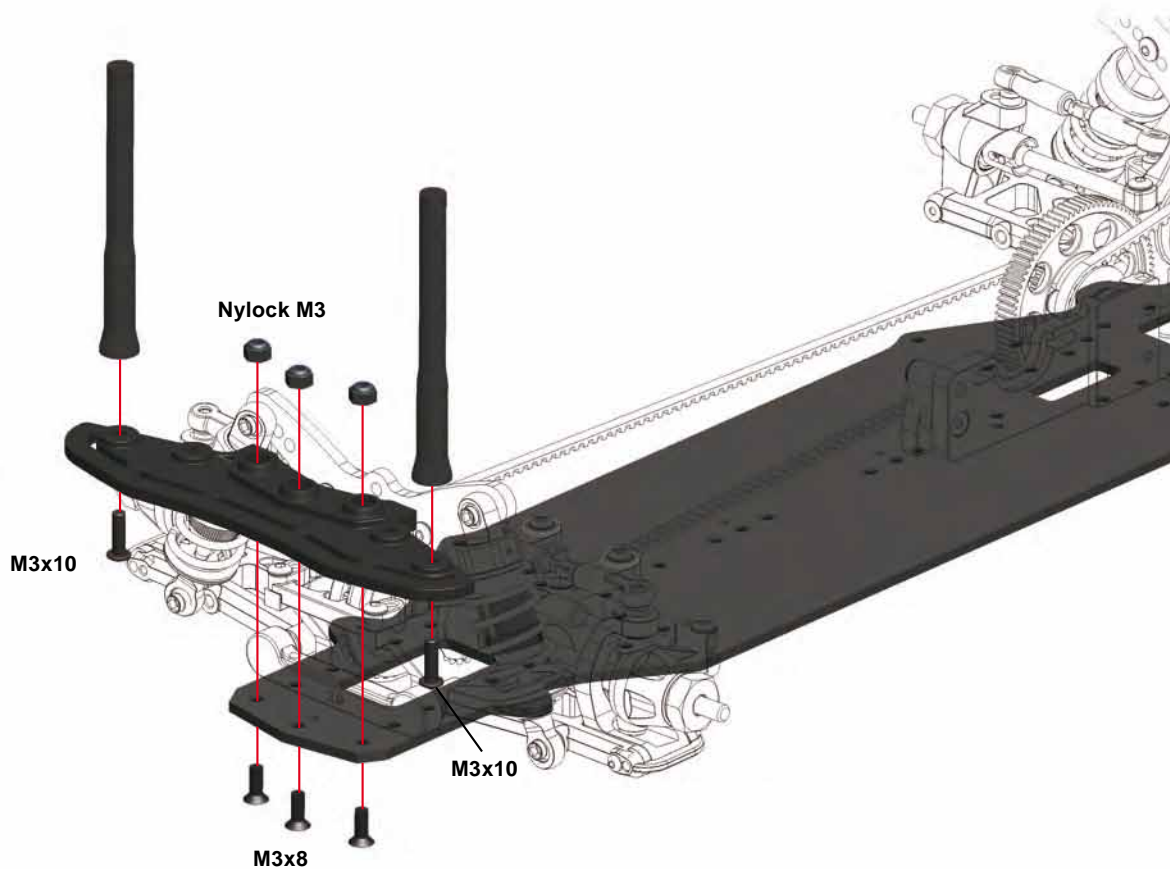


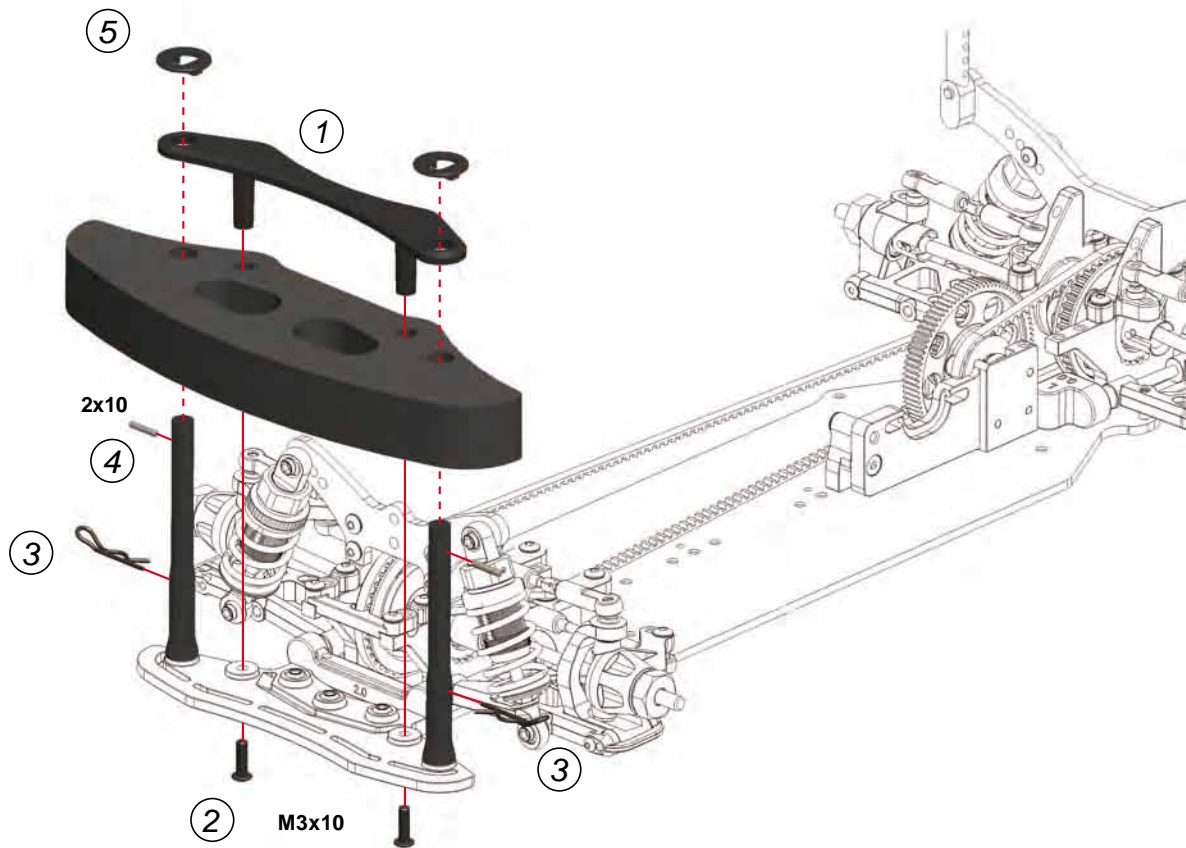
M3x8

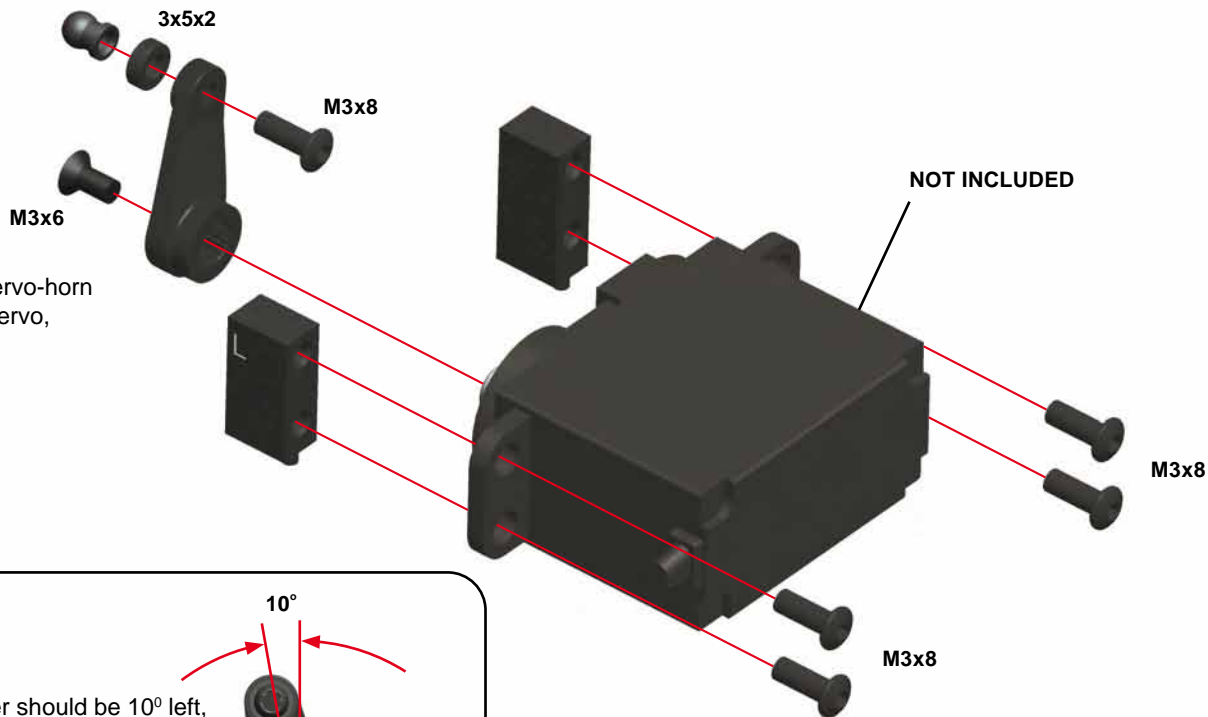




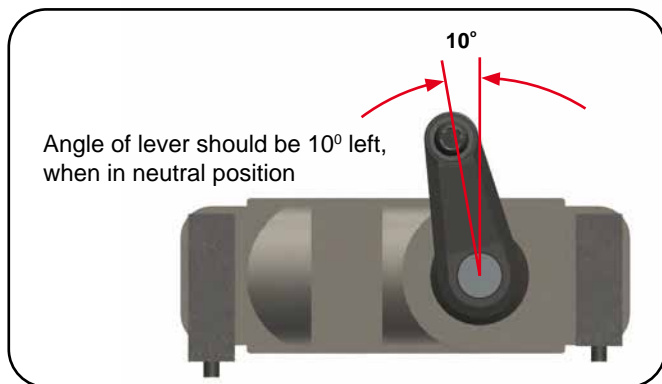




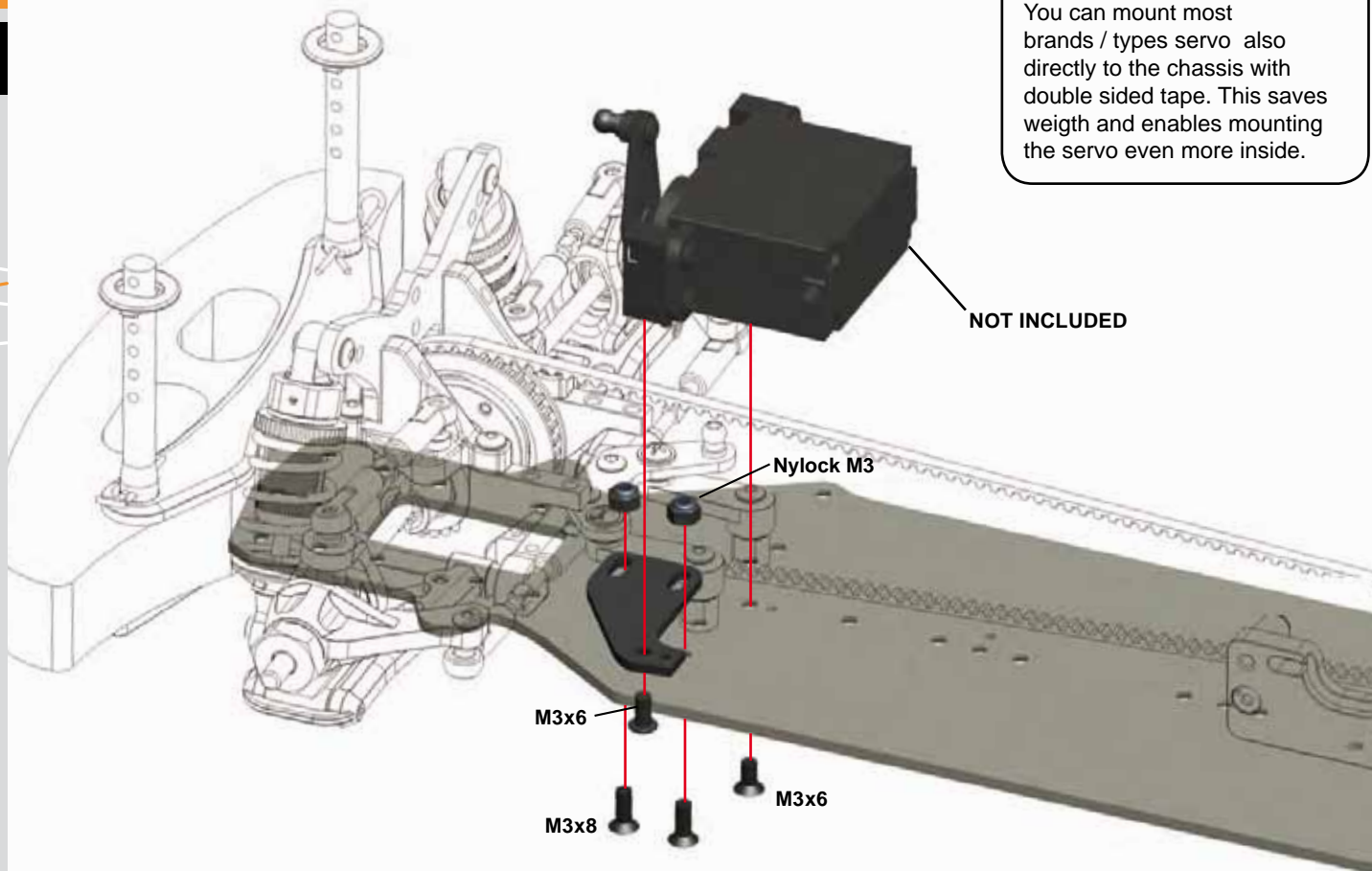




select correct servo-horn
for your brand servo,
23T, 24T or 25T

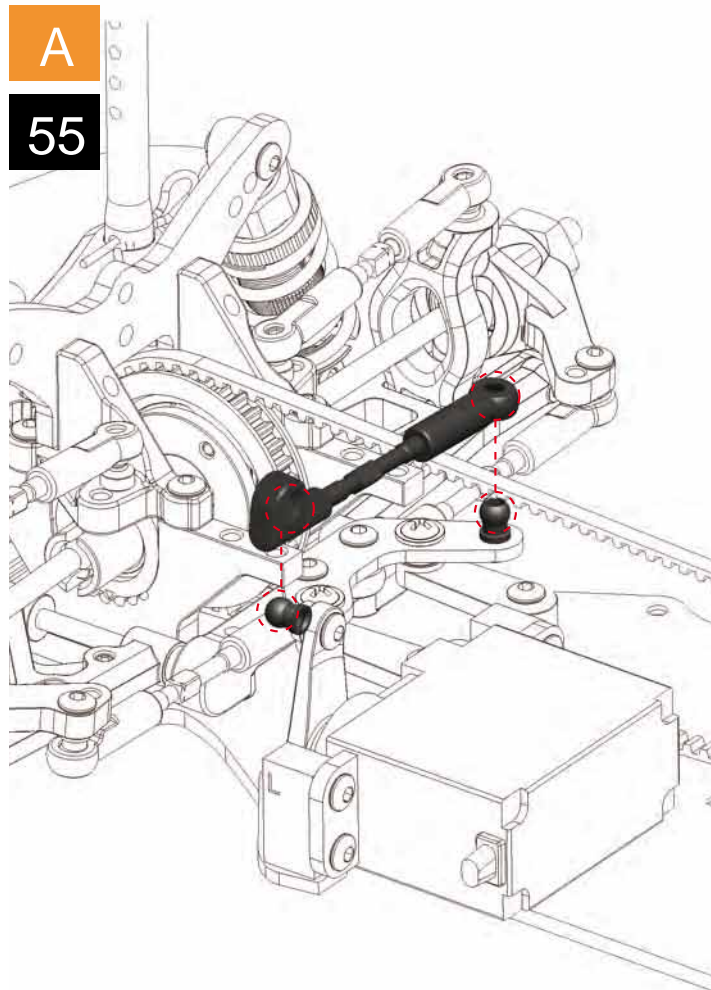


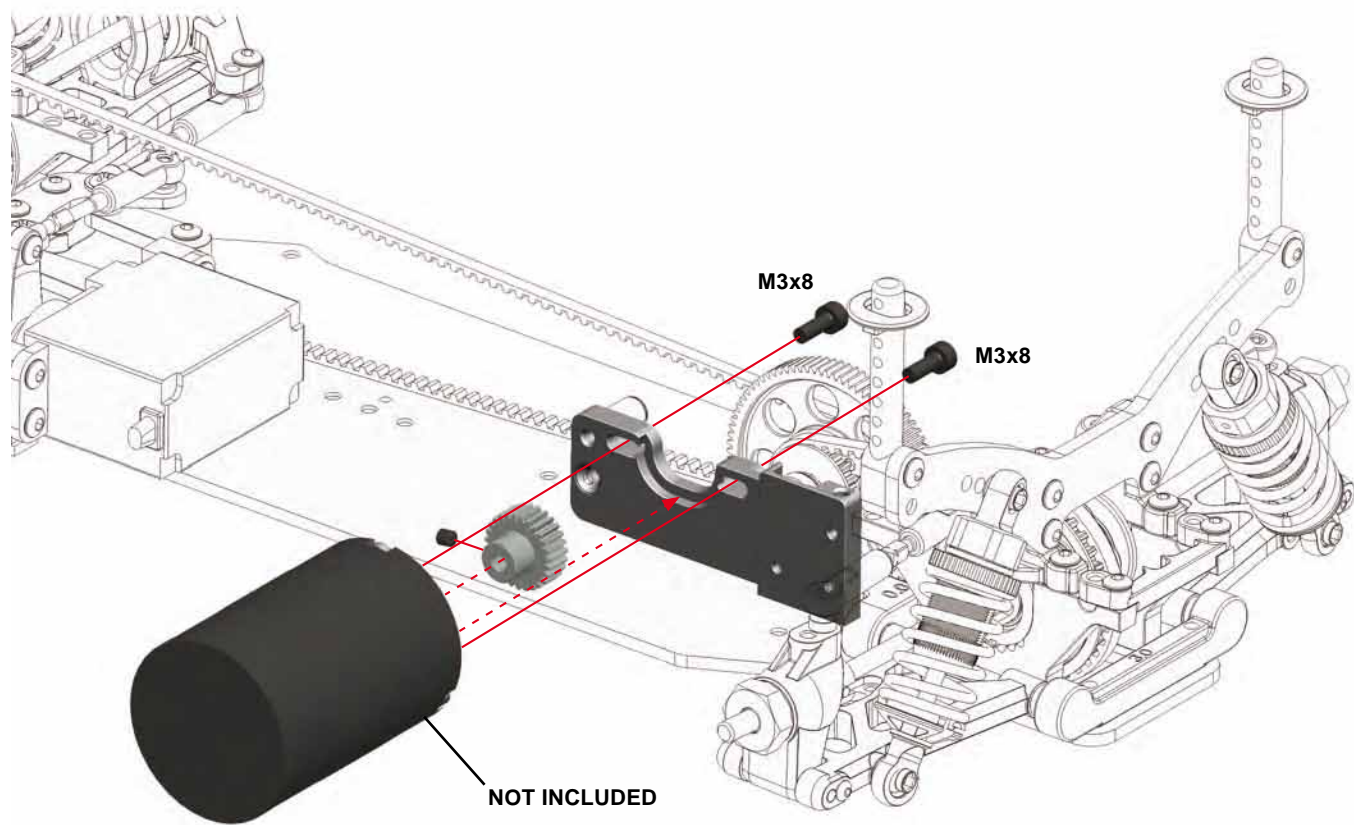
TIP: In case you prefer to use a servo-saver,
then mount it directly to the servo, instead of
the servo-horn (servo-saver is not included)

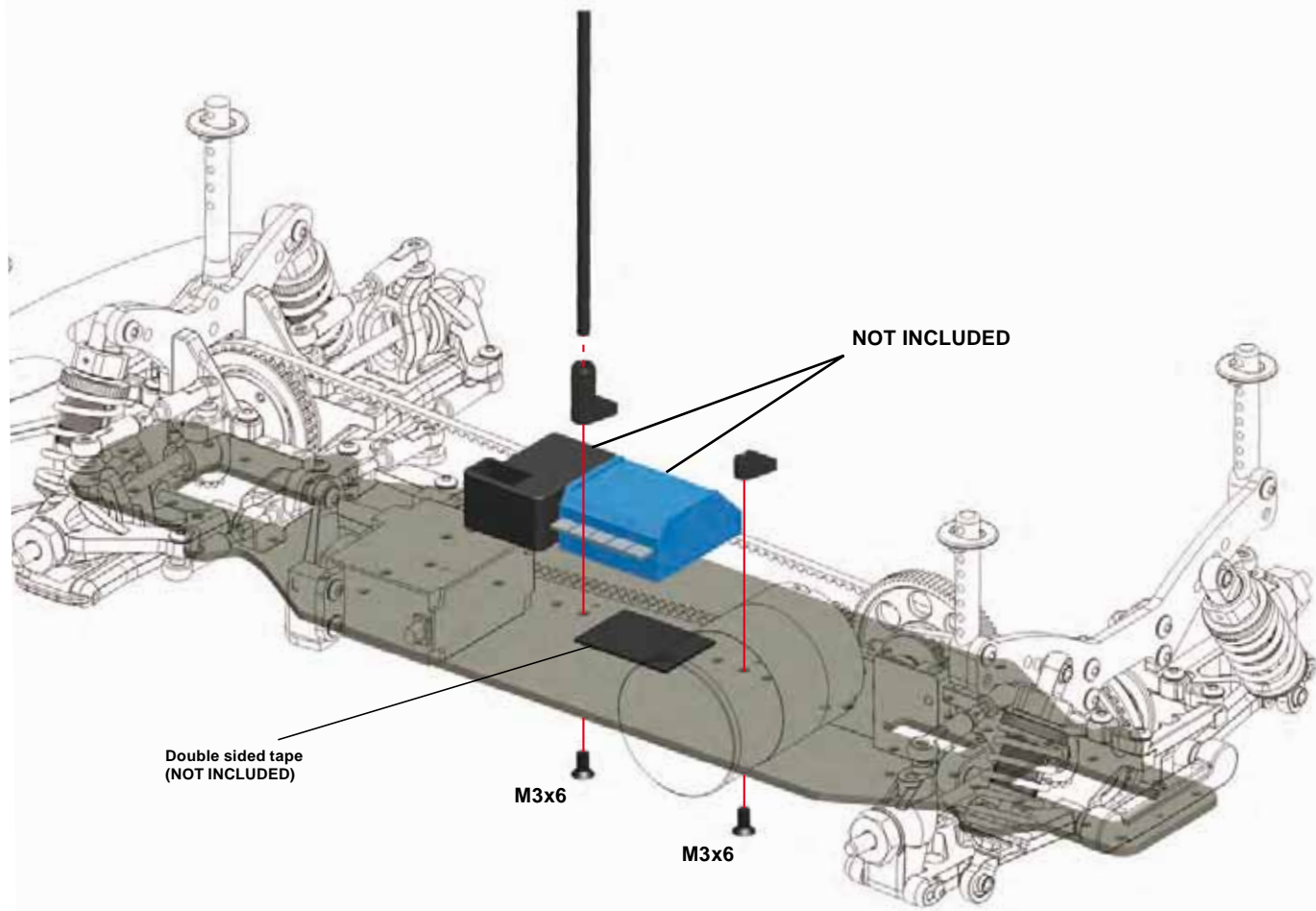


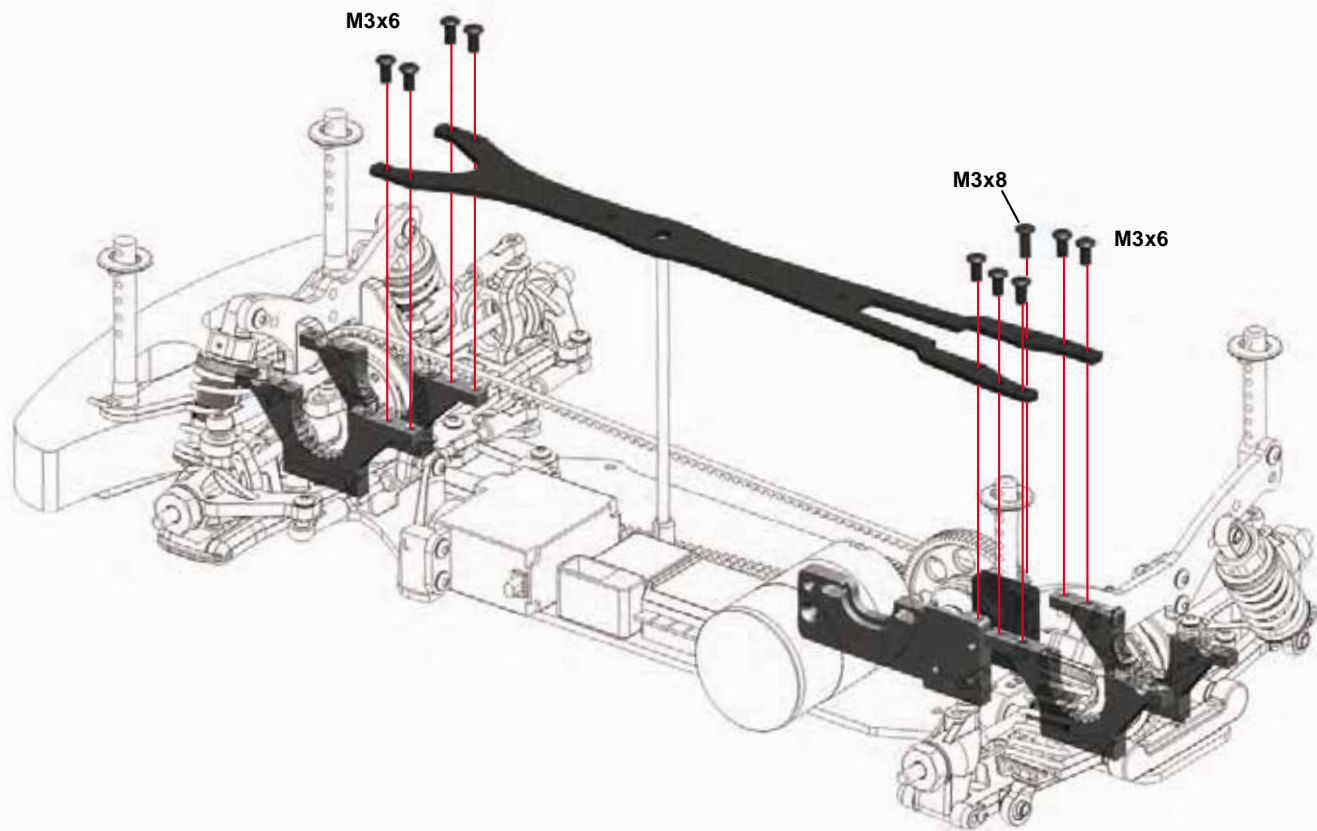


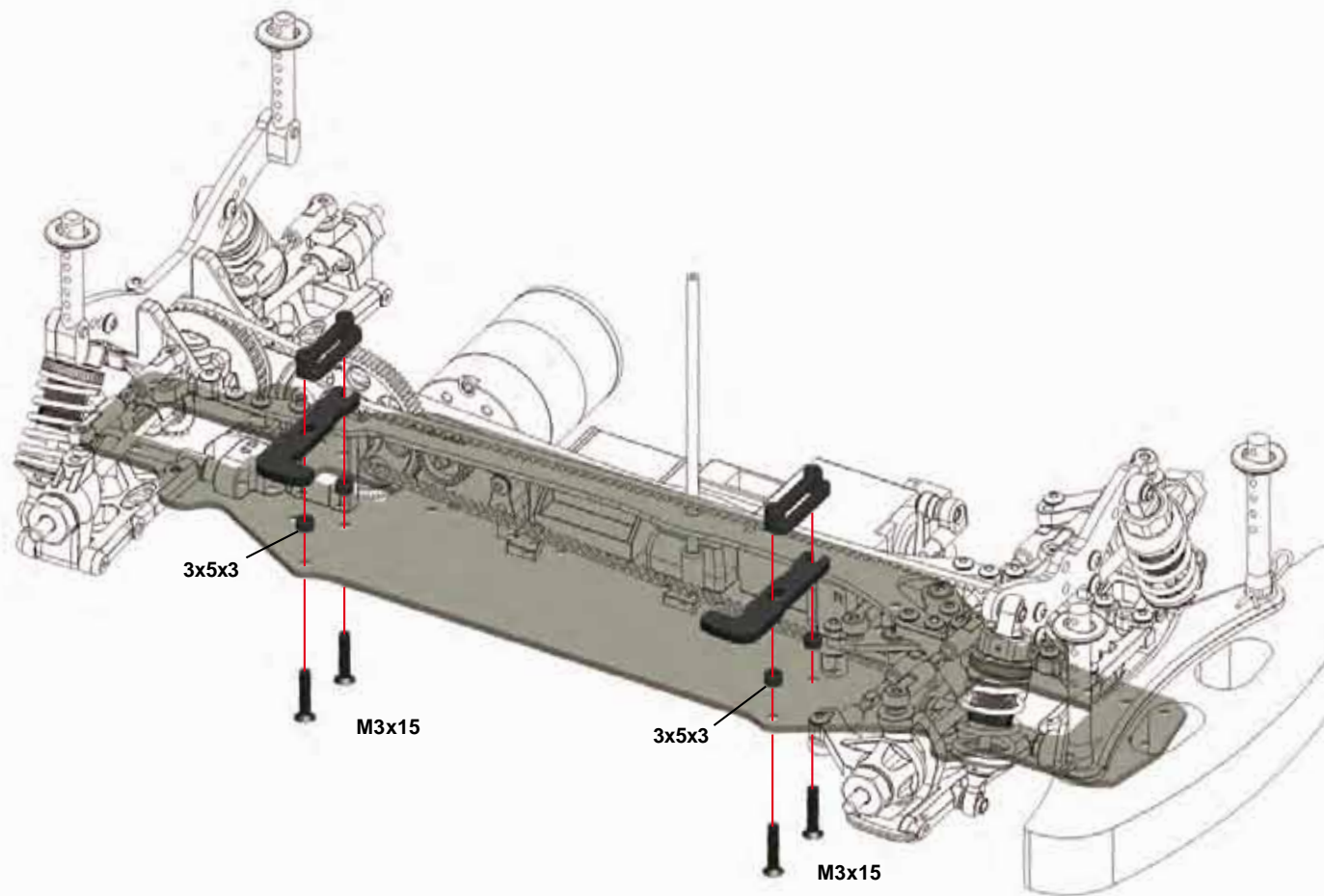
Adjust length
according to servo

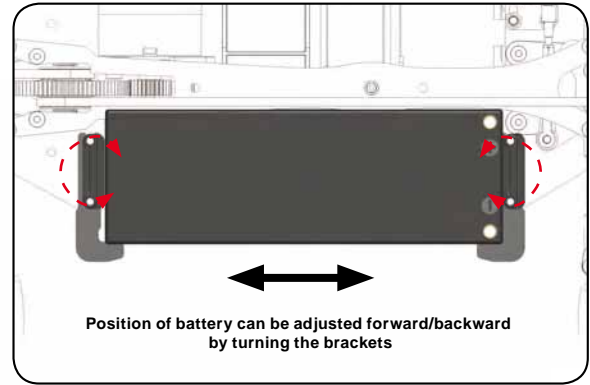
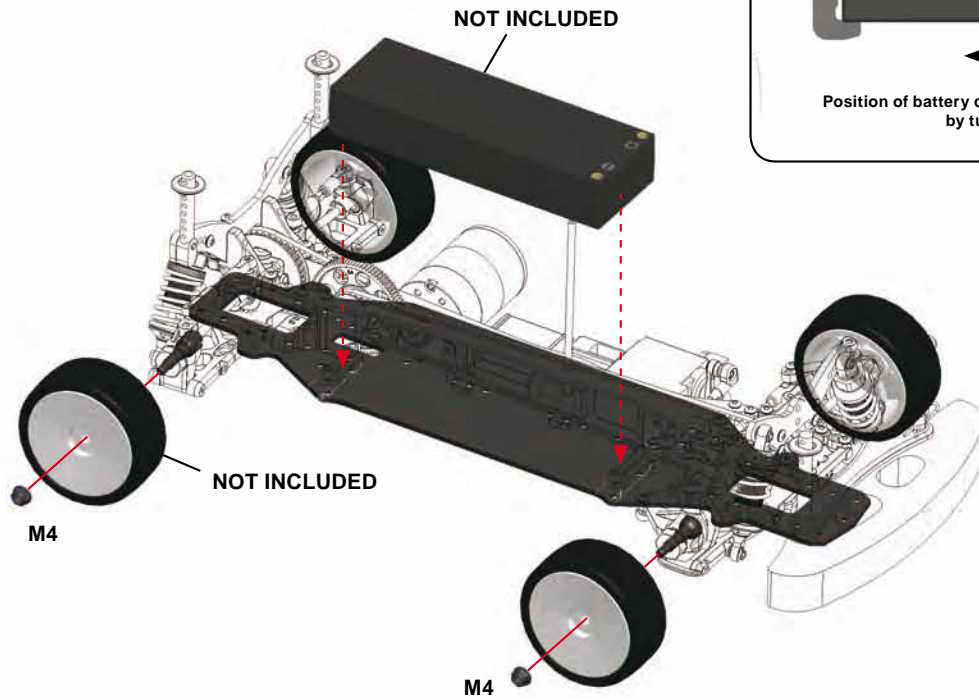








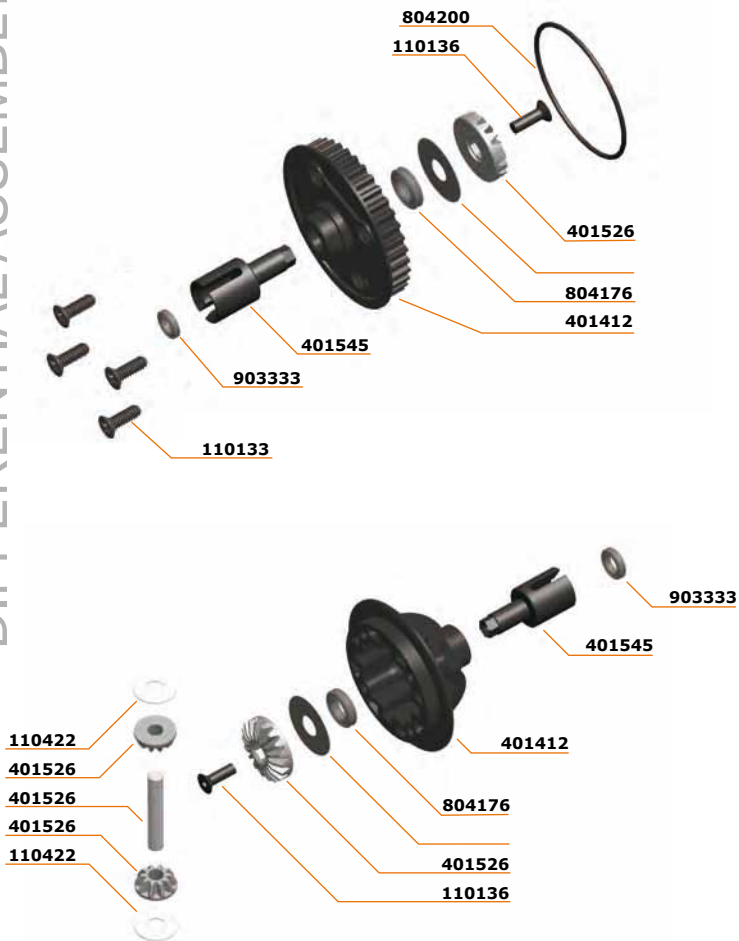




REFERENCE GUIDE

The page features a decorative graphic consisting of several overlapping, wavy lines. One line is a vibrant orange, while the others are black. These lines flow horizontally across the middle of the page, creating a sense of movement and depth.

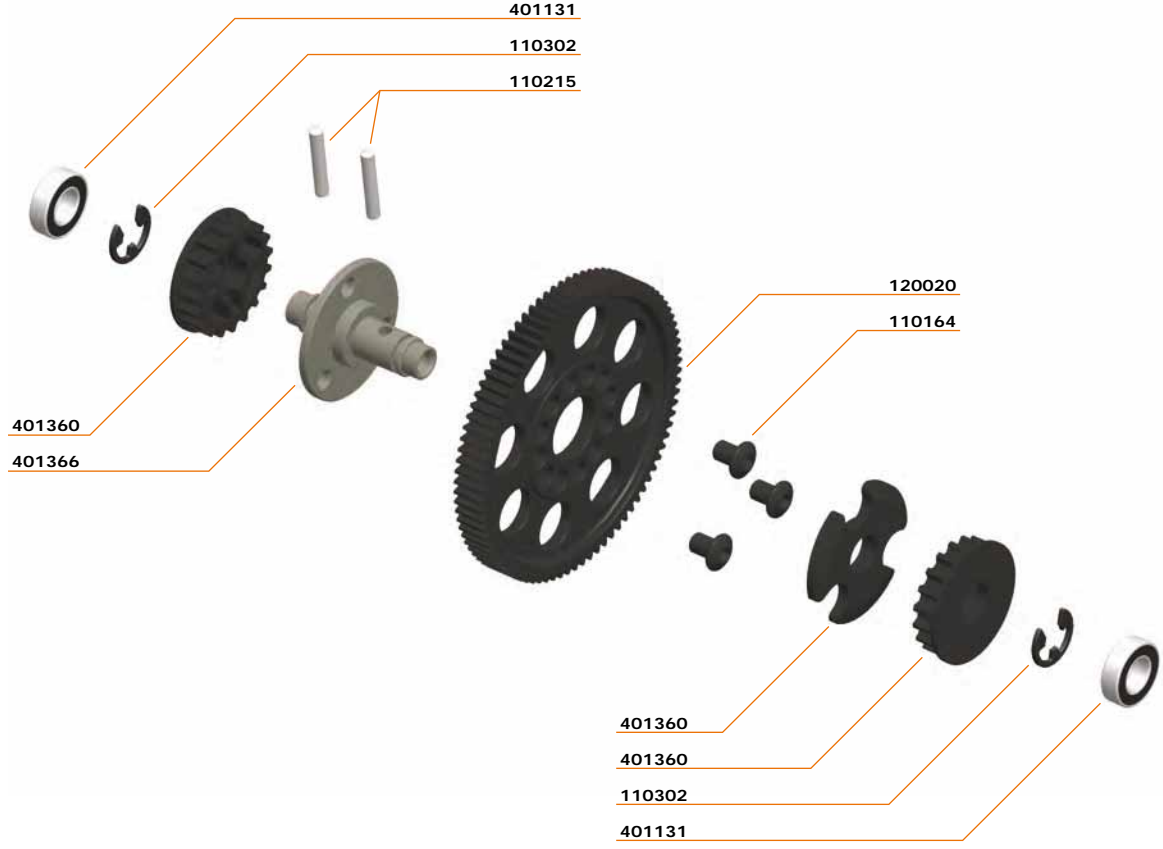
DIFFERENTIAL ASSEMBLY



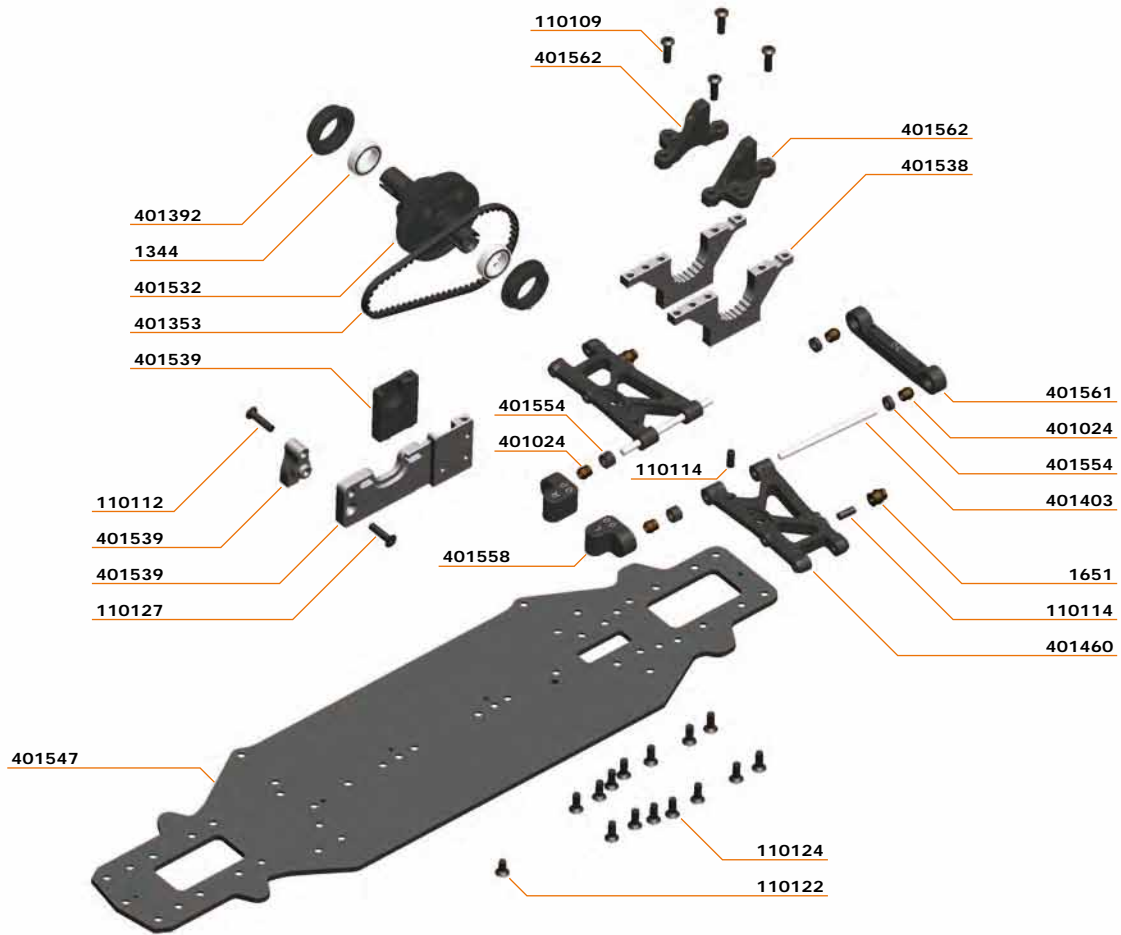
SOLID FRONT AXLE ASSEMBLY



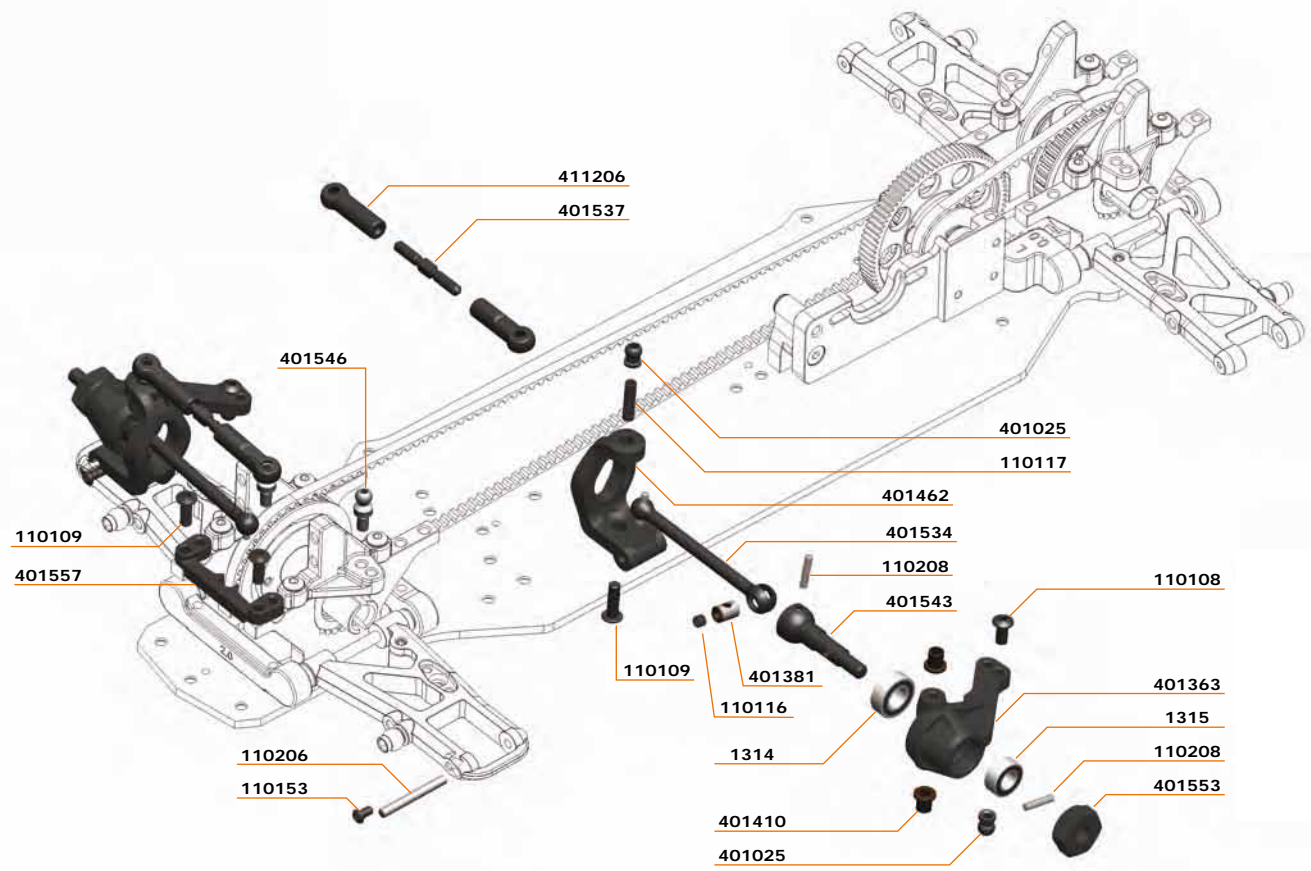
SOLID FRONT AXLE ASSEMBLY



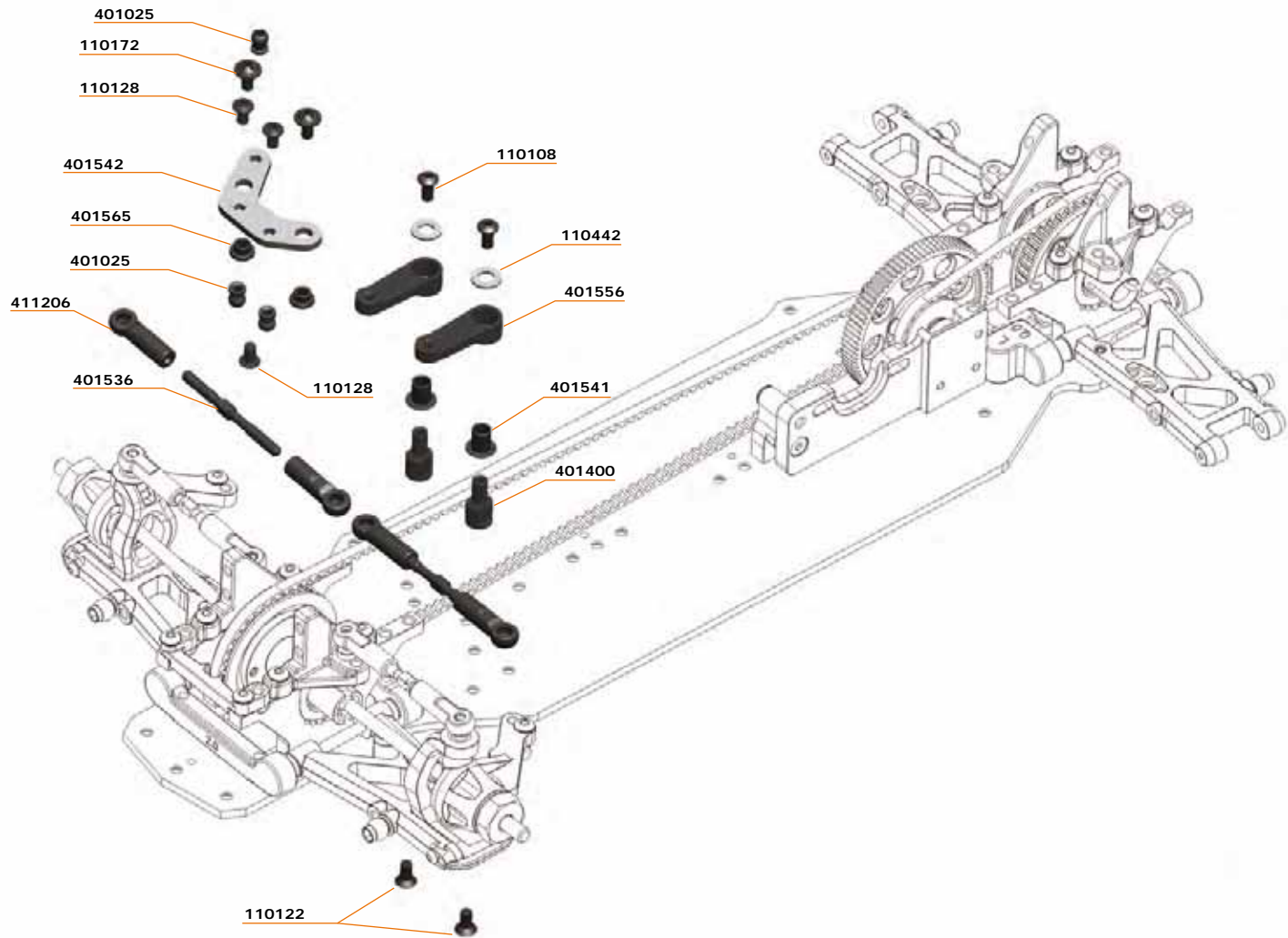
REAR ASSEMBLY



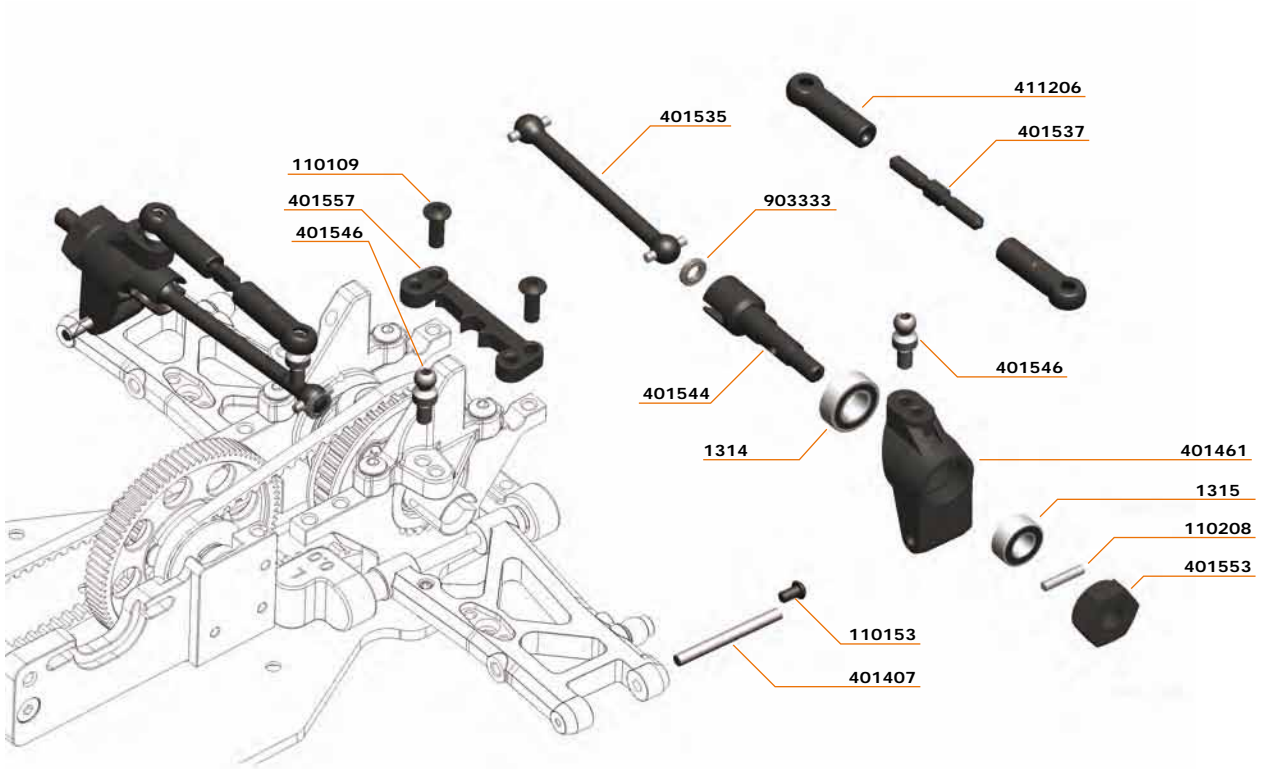
FRONT SUSPENSION ASSEMBLY



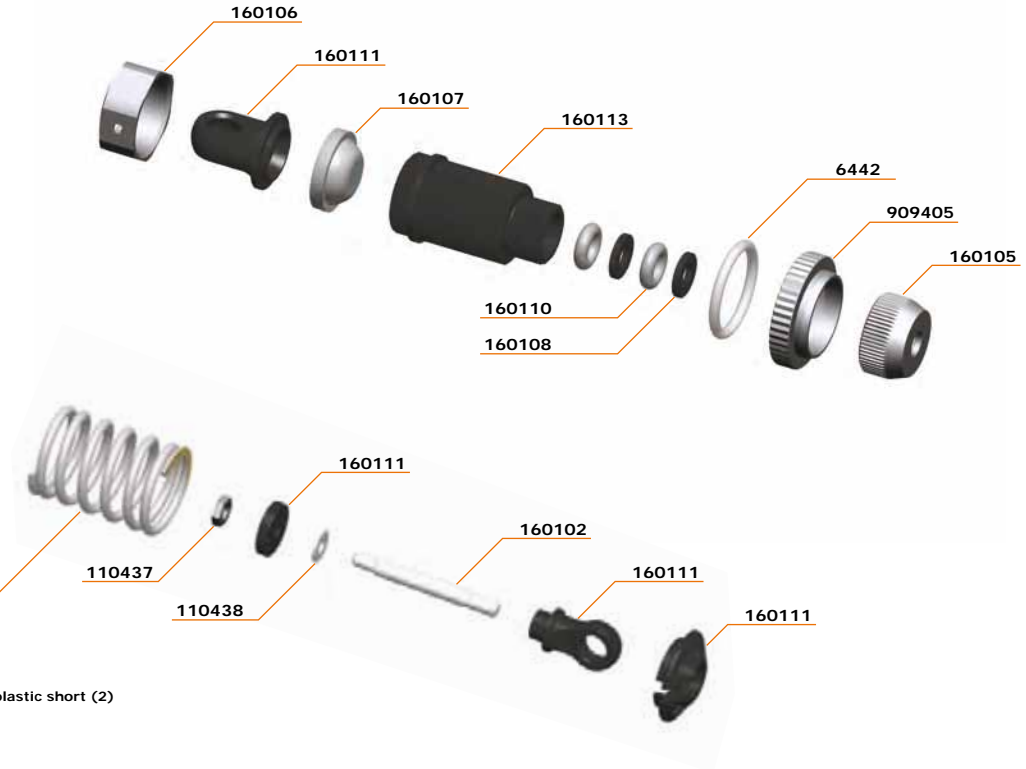
FRONT SUSPENSION ASSEMBLY



REAR SUSPENSION ASSEMBLY



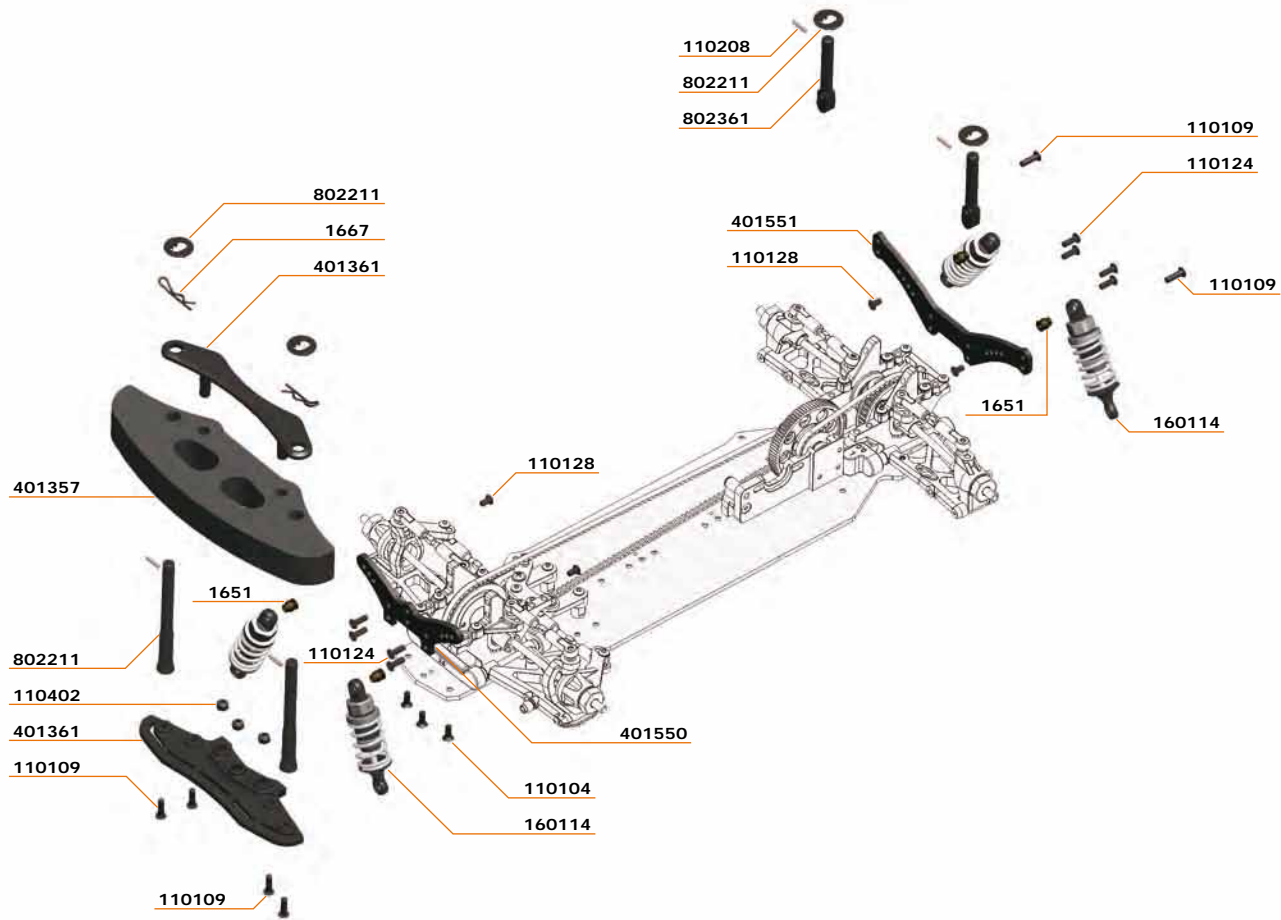
SHOCK ASSEMBLY

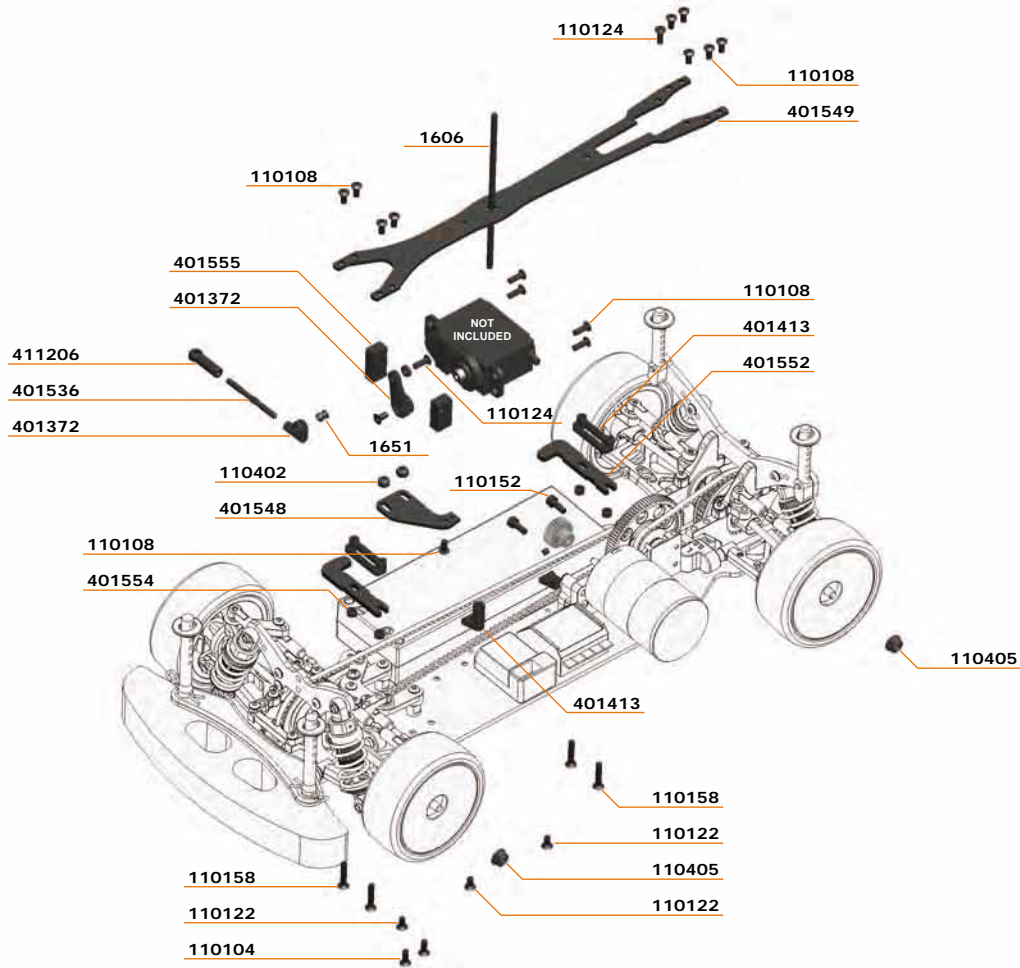


- 160297 Spring grey TC
- 160298 Spring black TC
- 160299 Spring green TC
- 160300 Spring white
- 160301 Spring yellow (std)
- 160302 Spring orange (std)
- 160303 Spring red

#160114 - Shockset RCM on-road plastic short (2)

TOWER / BUMPER MOUNTING





400006 SERPENT S411 1/10 Sport**MANUAL, DECALS**

- 401435 Decalsheet S411 black-white (2)
- 401456 Decalsheet S411 chrome (2)

RADIO INSTALLATION

- 1652 Steel balls 5.8mm long (4)
- 401372 Servo-lever (4)
- 401548 Servomount 411-S
- 401554 Bushing set 411-S (13)
- 401555 Servo holder l+r 411-S

Optionals

- 401369 Servomount plate carbon
- 401370 Servomount L+R
- 401388 Bushing alu 3x5x1 (10)

SERVO SAVER AND STEERING

- 1652 Steel balls 5.8mm long (4)
- 401025 Pivotball-uni-4-5mm (20)
- 401400 Steering shaft (2)
- 401536 Trackrod M3x38 411-S (2)
- 401540 Steeringshaft 411-S (2)
- 401541 Bushing steeringrack 411-S (2)
- 401542 Steeringrack 411-S
- 401556 Steering lever 411-S (2)
- 401565 Bushing Steeringrack V1 (2)
- 411206 Balljoint 4.5 (4)

Optionals

- 401355 Trackrod M3x38mm (2)
- 401401 Steering lever (2)
- 401465 Steeringrack V2
- 401429 Trackrod alu (2)
- 401466 Steering shaft alu (2)

SHOCK ABSORBERS

- 6442 O-ring adj.nut (10)
- 160102 Shock RCM shaft short (2)
- 160105 Shock RCM bottom (2)
- 160106 Shock RCM top nut (2)
- 160107 Shock RCM membrane (4)

- 160108 Shock RCM bushings (8)
- 160110 Shock RCM bottom O-ring (8)
- 160111 Shock RCM parts frame nylon short (14)
- 160113 Shock RCM body plastic (2)
- 160114 Shockset RCM on-road plastic short (2)
- 909405 Shock adj nut alu +o-ring (4)

Optionals

- 160115 Shock RCM shaft short TiN coated (2)
- 903232 Springwasher alu light (4)
- 160100 Shockset RCM on-road short (2)
- 160104 Shock RCM body alu (2)
- 160109 Shock RCM bushing machined (8)

SHOCK SPRINGS

- 160297 Spring grey short (2.6/14.8) TC (2)
- 160298 Spring black short (2.9/16.5) TC (2)
- 160299 Spring green short (3.5/19.9) TC (2)
- 160300 Spring white L23 (2.3/13) (2)
- 160301 Spring yellow L23 (2.8/16) (2)
- 160302 Spring oranje L23 (3.4/19.5) (2)
- 160303 Spring red L23 (4.1/23.5) (2)

CHASSIS

- 401547 Chassis 411-S
- 401549 Topplate 411-S
- 401552 Battery mount 411-S(2)

Optionals

- 401354 Chassis carbon 2.5mm
- 401374 Topdeck carbon 2mm
- 401431 Topdeck carbon 2.5mm
- 401432 Chassis carbon 2mm
- 401444 Chassis carbon 2.25mm
- 401464 Battery mount carbon F/R
- 401495 Topdeck carbon 411 2mm flex
- 401563 Topdeck carbon 1.75mm

BODYMOUNTS FR and RR

- 802211 Bodymount adjustable front (3)
- 802361 Bodymount adjustable rear (2)

FRONT SECTION

- 1652 Steel balls 5.8mm long (4)
- 401024 Ball 5mm (10)
- 401025 Pivotball uni 4.5mm (20)
- 401351 Belt Kevlar 30S3M510 low friction
- 401359 Pully solid axle 38T
- 401361 Bumper upper/ lower
- 401362 C-hub 4 L+R
- 401363 Steeringblock L+R
- 401381 CVD insert (2)
- 401386 Pivot pin front inner (2)
- 401392 Bearing excenter (4)
- 401410 Bushing steeringblock (4)
- 401533 Spool nylon 1/10 EP
- 401534 Driveshaft cvd 411-S (2)
- 401537 Trackrod M3x26 411-S (2)
- 401538 Bearingblock fr/rr 411-S (2)
- 401543 Cvd wheelaxle 411-S (2)
- 401546 Pivotball with shaft 411-S (2)
- 401550 Shocktower fr 411-S
- 401553 Wheel hex 411-S (2)
- 401554 Bushing set 411-S (13)
- 401557 Antiroll bar mount fr/rr (2)
- 401559 Suspension bracket 1 411-S
- 401560 Suspension bracket 2 411-S
- 401562 Shocktower mount L+R 411-S
- 401357 Foam bumper
- 411206 Balljoint 4.5 (4)
- 802211 Bodymount adjustable front (3)

Optionals

- 401350 Belt Kevlar 30S3M510
- 401356 Camber link M3x26mm
- 401358 Stabi collar (2)
- 401365 Bearingblock alu
- 401373 CVD axle set steel (2)
- 401375 Suspension bracket alu 0
- 401376 Suspension bracket alu 1
- 401377 Suspension bracket alu 2
- 401378 Suspension bracket alu 3
- 401379 Antirollbar 1.4mm
- 401380 Solid axle/spool

401382 Shocktower mount alu L+R
 401387 Wheelhexagon 1mm offset (2)
 401388 Bushing alu 3x5x1 (10)
 401389 Bushing alu 3x5x2 (10)
 401390 Bushing alu 3x5x4 (2)
 401391 Antirollbar ball (2)
 401394 CVD driveshaft (2)
 401397 Wishbone front lower (2)
 401402 Antirollbar mount alu
 401404 Suspension spacer 1mm (2)
 401406 CVD wheelaxle (2)
 401411 Antirollbar bushing (16)
 401415 Antirollbar 1.2mm
 401416 Antirollbar 1.6mm
 401417 Antirollbar 1.8mm
 401418 Suspension bracket alu 1.5
 401419 Suspension bracket alu 2.5
 401420 Suspension bracket alu 3.5
 401422 Steeringblock alu L+R
 401423 C-hub 2 alu L+R
 401424 C-hub 4 alu L+R
 401425 C-hub 6 alu L+R
 401426 Spacer suspension 0.5mm (2)
 401428 Driveshaft adaptor delrin (2)
 401430 Camberlink alu (2)
 401433 Weight set brass 5gr - 12gr - 20gr (2+1+1)
 401434 Bushing smaller bearing (4)
 401445 Driveshaft double cardan joint DCJ (2)
 401446 Driveshaft DCJ (2)
 401447 Wheelaxle DCJ (2)
 401448 Coupler DCJ (2)
 401449 Insert DCJ (4)
 401450 Pin revision set DCJ (4)
 401452 Wishbone Fr Lw hard (2)
 401455 C-hub 4 L+R hard
 401462 C-hub 4 L+R medium
 401467 Pivot pin front inner TiNi (2)
 401558 Suspension bracket rr-fr 0
 401561 Suspension bracket 3 411-S
 411063 Pivot ball threaded upper arm (2)

411187 Pivotball with shaft (2)
 411207 Balljoint 4.5 short (2)
MIDDLE SECTION
 1606 Antenna rod black (2)
 401360 Pully middle 19T + spacer (3)
 401366 Middle shaft alu
 401413 Battery mount (4)
 401539 Bracket motormount 411-S
 401547 Chassis 411-S
 401549 Topplate 411-S
 401552 Battery mount 411-S (2)

Optionals

401354 Chassis carbon 2.5mm
 401367 Motormount bracket alu
 401368 Motormount alu
 401374 Topdeck carbon 2mm
 401398 Bracket middleshaft alu
 401399 Bearingmount middleshaft alu
 401427 Pully 19T alu
 401431 Topdeck carbon 2.5mm
 401432 Chassis carbon 2mm
 401433 Weight set brass 5gr - 12gr - 20gr (2+1+1)
 401451 Motormount set V2
 401463 Belt tensioner set
 401464 Battery mount carbon F/R

REAR SECTION

1651 Steel balls 5.8mm long (20)
 401024 Ball 5mm (10)
 401353 Belt Kevlar 30S3M186 low friction
 401392 Bearing excenter (4)
 401403 Pivot pin rear-inner (2)
 401407 Pivot pin rear-outer (2)
 401460 Wishbone Rr Lw medium (2)
 401461 Upright medium (2)
 401526 Geardiff revision set V2
 401532 Geardiff uni 1/10 EP
 401535 Driveshaft 411-S (2)
 401537 Trackrod M3x26 411-S (2)
 401538 Bearingblock fr/rr 411-S (2)
 401544 Wheelaxle 411-S

401546 Pivotball with shaft 411-S (2)
 401551 Shocktower rr 411-S
 401553 Wheel hex 411-S (2)
 401554 Bushing set 411-S (13)
 401557 Antiroll bar mount fr/rr (2)
 401558 Suspension bracket rr-fr 0
 401561 Suspension bracket 3 411-S
 401562 Shocktower mount L+R 411-S
 411206 Balljoint 4.5 (4)
 802361 Bodymount adjustable rear (2)
 903333 X-ring RCCX shock (10)

Optionals

401352 Belt Kevlar 30S3M186
 401353 Belt Kevlar 30S3M186 low friction
 401356 Camber link M3x26mm (2)
 401358 Stabi collar (2)
 401365 Bearingblock alu
 401373 CVD axle set steel (2)
 401375 Suspension bracket alu 0
 401376 Suspension bracket alu 1
 401377 Suspension bracket alu 2
 401378 Suspension bracket alu 3
 401381 CVD insert (2)
 401382 Shocktower mount alu L+R
 401385 Shocktower carbon rear
 401387 Wheelhexagon 1mm offset (2)
 401388 Bushing alu 3x5x1 (10)
 401389 Bushing alu 3x5x2 (10)
 401391 Antirollbar ball (2)
 401393 Wishbone rear lower (2)
 401394 CVD driveshaft (2)
 401396 Upright (2)
 401402 Antirollbar mount alu
 401404 Suspension spacer 1mm (2)
 401406 CVD wheelaxle (2)
 401409 Blade (16)
 401411 Antirollbar bushing (16)
 401415 Antirollbar 1.2mm
 401416 Antirollbar 1.6mm
 401417 Antirollbar 1.8mm

401421	Upright alu (2)
401426	Spacer suspension 0.5mm (2)
401430	Camberlink alu (2)
401433	Weight set brass 5gr - 12gr - 20gr (2+1+1)
401434	Bushing smaller bearing (4)
401436	Balldiff set
401445	Driveshaft double cardan joint DCJ (2)
401446	Driveshaft DCJ (2)
401447	Wheelaxle DCJ (2)
401448	Coupler DCJ (2)
401449	Insert DCJ (4)
401450	Pin revision set DCJ (4)
401453	Wishbone Rr Lw hard (2)
401454	Upright hard (2)
401468	Pivot pin rear inner TiNi (2)
401497	Antirollbar 1.4mm rear
401534	Driveshaft cvd 411-S (2)
401543	Cvd wheelaxle 411-S (2)
401559	Suspension bracket 1 411-S
401560	Suspension bracket 2 411-S
411063	Pivot ball threaded upper arm (2)
411187	Pivotball with shaft (2)
411207	Balljoint 4.5 short (2)

TRANSMISSION

401351	Belt Kevlar 30S3M510 low friction
401353	Belt Kevlar 30S3M186 low friction
401359	Pully solid axle 38T
401360	Pully middle 19T + spacer (3)
401380	Solid axle/spool
401408	Driveshaft solidaxle (2)
401412	Geardiff housing
401526	Geardiff revision set V2
401532	Geardiff uni 1/10 EP
401533	Spool nylon 1/10 EP
401545	Geardiff outdrive 411-S (2)
804176	Geardiff x-ring (4)
804200	Diffcase O-ring 22.5x1 (10)
903333	X-ring RCCX shock (10)

Optionals

401350	Belt Kevlar 30S3M510
401352	Belt Kevlar 30S3M186
401408	Driveshaft solidaxle (2)
401412	Geardiff housing
401414	Geardiff outdrive (2)
401427	Pully 19T alu
401428	Driveshaft adaptor delrin (2)
401436	Balldiff set
401437	Balldiff shaft female
401438	Balldiff shaft male
401439	Balldiff nut (2)
401440	Balldiff pully 38T
401441	Balldiff spring (4)
401442	Balldiff screw (2)
401457	Slipper Spool pad S411 (2)
401527	Diff gear 10T + diff axle for geardiff (2+1) V2

Spur Gears

120005	Spur gear 64P / 92T
120006	Spur gear 64P / 96T
120007	Spur gear 64P / 100T
120008	Spur gear 64P / 104T
120009	Spur gear 64P / 108T
120010	Spur gear 64P / 112T
120011	Spur gear 64P / 116T
120012	Spur gear 64P / 114T
120015	Spur gear 48P / 69T
120016	Spur gear 48P / 72T
120017	Spur gear 48P / 75T
120018	Spur gear 48P / 78T
120019	Spur gear 48P / 81T
120020	Spur gear 48P / 84T
120021	Spur gear 48P / 87T
120022	Spur gear 48P / 86T

Pinions

120105	Motor-pinion alu hard 64P / 18T
120106	Motor-pinion alu hard 64P / 19T
120107	Motor-pinion alu hard 64P / 20T

120108	Motor-pinion alu hard 64P / 21T
120109	Motor-pinion alu hard 64P / 22T
120110	Motor-pinion alu hard 64P / 23T
120111	Motor-pinion alu hard 64P / 24T
120112	Motor-pinion alu hard 64P / 25T
120113	Motor-pinion alu hard 64P / 26T
120114	Motor-pinion alu hard 64P / 27T
120115	Motor-pinion alu hard 64P / 28T
120116	Motor-pinion alu hard 64P / 29T
120117	Motor-pinion alu hard 64P / 30T
120118	Motor-pinion alu hard 64P / 31T
120119	Motor-pinion alu hard 64P / 32T
120120	Motor-pinion alu hard 64P / 33T
120121	Motor-pinion alu hard 64P / 34T
120122	Motor-pinion alu hard 64P / 35T
120123	Motor-pinion alu hard 64P / 36T
120124	Motor-pinion alu hard 64P / 37T
120125	Motor-pinion alu hard 64P / 38T
120126	Motor-pinion alu hard 64P / 39T
120127	Motor-pinion alu hard 64P / 40T
120128	Motor-pinion alu hard 64P / 41T
120129	Motor-pinion alu hard 64P / 42T
120130	Motor-pinion alu hard 64P / 43T
120131	Motor-pinion alu hard 64P / 44T
120132	Motor-pinion alu hard 64P / 45T
120133	Motor-pinion alu hard 64P / 46T
120134	Motor-pinion alu hard 64P / 47T
120135	Motor-pinion alu hard 64P / 48T
120136	Motor-pinion alu hard 64P / 49T
120137	Motor-pinion alu hard 64P / 50T
120138	Motor-pinion alu hard 64P / 51T
120139	Motor-pinion alu hard 64P / 52T
120150	Motor-pinion alu hard 48P / 12T
120151	Motor-pinion alu hard 48P / 13T
120152	Motor-pinion alu hard 48P / 14T
120153	Motor-pinion alu hard 48P / 15T
120154	Motor-pinion alu hard 48P / 16T
120155	Motor-pinion alu hard 48P / 17T
120156	Motor-pinion alu hard 48P / 18T
120157	Motor-pinion alu hard 48P / 19T

120158	Motor-pinion alu hard	48P / 20T	110102	Screw allen countersunk m4x10 (10)	110139	Screw allen countersunk M3x40 (10)
120159	Motor-pinion alu hard	48P / 21T	110103	Screw allen countersunk m4x16 (10)	110140	Screw allen roundhead M3x20(10)
120160	Motor-pinion alu hard	48P / 22T	110104	Screw allen countersunk M3x8 (10)	110141	Screw allen roundhead M3x22(10)
120161	Motor-pinion alu hard	48P / 23T	110105	Screw allen countersunk m4x12 (10)	110142	Screw allen roundhead M3x25(10)
120162	Motor-pinion alu hard	48P / 24T	110106	Screw allen flanged roundhead m5x12 (10)	110143	Screw allen roundhead M4x18(10)
120163	Motor-pinion alu hard	48P / 25T			110144	Screw allen roundhead M3x18(10)
120164	Motor-pinion alu hard	48P / 26T	110107	Screw allen cilinderhead m3x16 (10)	110145	Screw allen roundhead flanged M3x12 (10)
120165	Motor-pinion alu hard	48P / 27T	110108	Screw allen roundhead m3x6 (10)		
120166	Motor-pinion alu hard	48P / 28T	110109	Screw allen roundhead m3x10 (10)	110146	Screw allen roundhead flanged M3x16 (10)
120167	Motor-pinion alu hard	48P / 29T	110110	Screw allen roundhead m3x16 (10)		
120168	Motor-pinion alu hard	48P / 30T	110111	Screw allen roundhead m3x14 (10)	110147	Screw ph roundhead widethread 2.5x5 (10)
120169	Motor-pinion alu hard	48P / 31T	110112	Screw allen roundhead m3x12 (10)		
120170	Motor-pinion alu hard	48P / 32T	110113	Screw allen roundhead m4x8 (10)	110148	Setscrew allen M5x4 (10)
120171	Motor-pinion alu hard	48P / 33T	110114	Setscrew allen m3x8 (10)	110149	Screw allen countersink M2x10 (10)
120172	Motor-pinion alu hard	48P / 34T	110115	Setscrew allen m3x4 (10)	110150	Screw M6x12 nylon black (2)
120173	Motor-pinion alu hard	48P / 35T	110116	Setscrew allen m3x3 (10)	110151	Screw allen cilinderhead M4x1(10)
120174	Motor-pinion alu hard	48P / 36T	110117	Setscrew allen m3x12 (10)	110152	Screw allen cilinderhead M3x8(10)
120175	Motor-pinion alu hard	48P / 37T	110118	Setscrew allen m4x4 (10)	110153	Screw allen roundhead M2.3x4(10)
120176	Motor-pinion alu hard	48P / 38T	110119	Setscrew allen m4x6 (10)	110154	Setscrew allen M3x10 (10)
120177	Motor-pinion alu hard	48P / 39T	110120	Setscrew allen m4x10 (10)	110155	Setscrew allen M3x5 (10)
120178	Motor-pinion alu hard	48P / 40T	110121	Setscrew allen m5x6 (10)	110156	Screw allen countersunk M2,2x6 (10)
120179	Motor-pinion alu hard	48P / 61T	110122	Screw allen countersunk m3x6 (10)	110157	Screw allen countersunk M3x5 (10)
120180	Motor-pinion alu hard	48P / 62T	110123	Screw philips roundhead 3.5x13 (10)	110158	Screw allen countersunk M3x15 (10)
120181	Motor-pinion alu hard	48P / 63T	110124	Screw allen roundhead m3x8 (10)	110159	Screw allen countersunk M3x18 (10)
			110125	Screw allen countersunk m3x20 (10)	110160	Screw allen cilinderhead M2,2x12(10)
			110126	Screw allen countersunk m2.5x12 (10)	110161	Screw allen cilinderhead M2x6 (10)
			110127	Screw allen countersunk m3x12 (10)	110162	Setscrew allen M3x2,5 (10)
			110128	Screw allen roundhead m3x5 (10)	110163	Setscrew allen M3x2 (10)
			110129	Screw allen cilinderhead m3x10 (10)	110164	Screw allen roundhead M3x4 (10)
			110130	Screw allen roundhead m2.5x6 (10)	110165	Screw allen cilinderhead M2x5 (10)
			110131	Screw allen roundhead m2.5x10 (10)	110166	Screw allen countersunk M2.5x5 (10)
			110132	Screw allen countersunk m3x16 (10)	110167	Screw allen roundhead flanged M3x18 (10)
			110133	Screw philipshead countersunk 2.5x8 wide (10)	110168	Screw allen roundhead flanged M3,5x10 (10)
			110134	Screw philipshead countersunk 2.5x10 wide (10)	110169	Screw allen roundhead flanged M4x10 (10)
					110170	Screw allen roundhead flanged M3x28 (10)
			110135	Screw allen countersunk M2.5x10 (10)	110171	Screw ph countersunk widethread 2.5x15 (10)
			110136	Screw allen countersunk M2.5x8 (10)	110200	Pin 2.5x8 (10)
			110137	Setscrew allen M3x6 (10)	110201	Pin 3x12 (10)
			110138	Screw allen countersunk M4x14 (10)	110202	Pin 5x5 (10)
					110203	Pin 3x14 (10)
BALL-BEARINGS						
1310	Ballbearing 4x7 Flanged (2)					
1311	Ballbearing 5x8x2.5 (2)					
1314	Ballbearing 6x12 (2)					
1315	Ballbearing 5x10x4 (2)					
1316	Ballbearing 5x9 (2)					
1321	Ballbearing 6x10x3 (2)					
1338	Ballbearing 5x8x2.5 (2)					
1344	Ballbearing 10x15x4 (2)					
401124	Ballbearing 3x6x2.5 (2)					
401131	Ballbearing 5x10x3 (2)					
401135	Trustsbearing 2,5x6x2					
Fastners						
110100	Screw allen countersunk m3x10 (10)					
110101	Screw allen countersunk m4x8 (10)					

110204	Pin 3x20 (10)	110418	Shim 4x8x0.1 (10)	190124	T-shirt Serpent LTS white (XL)
110205	Pin 3x22 (10)	110419	Shim 4x9.5x1 (10)	190125	T-shirt Serpent LTS white (XXL)
110206	Pin 2.5x22 (10)	110420	Shim 4x9.5x2(10)	190127	T-shirt Serpent DTR orange (S)
110207	Pin 2.5x12 (10)	110421	Shim 4x9.5x4(10)	190128	T-shirt Serpent DTR orange (M)
110208	Pin nra 2x9.8 (4)	110422	Shim 4x10x0.3 (10)	190129	T-shirt Serpent DTR orange (L)
110209	Pin nra 2x18 (4)	110423	Shim 5x8x0.1 (10)	190130	T-shirt Serpent DTR orange (XL)
110210	Pin 3x13 (10)	110424	Shim 5x8x0.3 (10)	190131	T-shirt Serpent DTR orange (XXL)
110211	Pin 2.5x13 (10)	110425	Shim 5x10x0.3 (10)	190132	T-shirt Serpent DTR black (S)
110212	Pin 2.5x17 (10)	110426	Shim 5x10x0.5 (10)	190133	T-shirt Serpent DTR black (M)
110213	Pin 2.5x10 (10)	110427	Shim 5x15x0.3 (10)	190134	T-shirt Serpent DTR black (L)
110214	Pin 3x15 (10)	110428	Shim 6.5x8x0.25 (10)	190135	T-shirt Serpent DTR black (XL)
110215	Pin 2x12 (10)	110429	Shim 6x11.75x0.2 (10)	190136	T-shirt Serpent DTR black (XXL)
110216	Pin 2,5x15 (10)	110430	Shim 6x12x0.5 (10)	190150	Dress shirt Serpent black-orange (S)
110217	Pin 2x9 (10)	110431	Shim 8x11x0.1 (10)	190151	Dress shirt Serpent black-orange (M)
110218	Pin 3x10 (10)	110432	Shim 8x11x0.2 (10)	190152	Dress shirt Serpent black-orange (L)
110300	E-clip 2.3 (10)	110433	Shim 12x15x0.25 (10)	190153	Dress shirt Serpent black-orange (XL)
110301	E-clip 3.2 (10)	110434	Shim 12x18x0.3 (10)	190154	Dress shirt Serpent black-orange (XXL)
110302	E-clip 4.0 (10)	110435	Shim 13x16x0.2 (10)	190155	Dress shirt Serpent black-orange (XXXL)
110303	E-clip 5.0 (10)	110436	Shim 3x5x3 (10)	190156	Polo shirt Serpent black-orange (S)
110304	E-clip 7.0 (10)	110437	Nut M2.5 (10)	190157	Polo shirt Serpent black-orange (M)
110305	Seeger clip 12x1.0 (10)	110438	Shim 2,5x6x0,5 (10)	190158	Polo shirt Serpent black-orange (L)
110306	E-clip 6.0 (10)	110439	Shim 3x7,5x1 (10)	190159	Polo shirt Serpent black-orange (XL)
110400	Shim 6.0x10x0.2 (10)	110440	Shim 2,5x5x0,4 (10)	190160	Polo shirt Serpent black-orange (XXL)
110401	Shim 3.2x7x0.5 (10)	110441	Nut nylock M3 flanged (10)	190161	Polo shirt Serpent black-orange (XXXL)
110402	Nut nylock M3 (10)	110442	Shim 4x8x0.6 (10)	190167	T-shirt Serpent LTS black (S)
110403	Nut nylock M4 (10)			190168	T-shirt Serpent LTS black (M)
110404	Shim 6x8x0.3 (10)	MERCHANDISING		190169	T-shirt Serpent LTS black (L)
110405	Nut nylock M4 flanged (10)	1891	Serpent medium promo decal 20x12.5 (2)	190170	T-shirt Serpent LTS black (XL)
110406	Nut nylock M2.2 (10)	1893	Serpent decal xL (30x60cm)	190171	T-shirt Serpent LTS black (XXL)
110407	Nut M3 (10)	1998	Cap serpent black-orange	190177	T-shirt Serpent LTS orange (S)
110408	Shim 3x5x0.3 (10)	1869	Pit-towel serpent orange 140x60cm	190178	T-shirt Serpent LTS orange (M)
110409	Shim 3x5x1 (10)	1883	Banner Serpent S-logo 200x100 nylon	190179	T-shirt Serpent LTS orange (L)
110410	Shim 3x5x2 (10)	190110	Sweater hooded serpent black (s)	190180	T-shirt Serpent LTS orange (XL)
110411	Shim 3x5x4 (10)	190111	Sweater hooded serpent black (m)	190181	T-shirt Serpent LTS orange (XXL)
110412	Shim 3.5x8x1 (10)	190112	Sweater hooded serpent black (l)		
110413	Shim 3.5x12x0.2 (10)	190113	Sweater hooded serpent black (xl)		
110414	Shim 3x6x0.1 (10)	190114	Sweater hooded serpent black (XXL)		
110415	Shim 3x6x0.5 (10)	190121	T-shirt Serpent LTS white (S)		
110416	Shim 3x6x0.8 (10)	190122	T-shirt Serpent LTS white (M)		
110417	Shim 3x6x3 (10)	190123	T-shirt Serpent LTS white (L)		

**For latest updates check:
www.serpent.com/400006**

S411 Sport



www.serpent.com - info@serpent.com



© Serpent #1-2012