

S411FF



INSTRUCTION MANUAL
& REFERENCE GUIDE



Introduction

Serpent likes to welcome you to the fascinating world of rc car racing. You are now part of the worldwide network of Serpent drivers, which gives you access to superior technical and race support by dedicated Serpent people.

Serpent as a company has been active in racing, developing and manufacturing rc cars since 1979, and has gathered a large following of enthusiastic and dedicated rc car racers around the world.

The Serpent S411FF is developed by an expert team of racers and engineers, to offer you the pinnacle of rc racing car technology. Continuously pushing the performance envelop, Serpent's engineers have added new and innovative features that help to take your Serpent S411FF into the winners circle.

For latest information about S411FF check on: www.serpent.com/400009

Enjoy building and racing the Serpent S411FF

Team Serpent

Contents

- 2 Introduction / contents
- 3 Safety, Customer service / Read This First
- 4 Using the Manual
- 5 Assembly Instructions
- 42 Exploded views
- 51 Parts List

Safety

Read and take note of the 'Read this First section' before proceeding to assemble the car-kit. This car-kit is intended for persons aged 16 or older.

Customer service

Serpent has made a strong effort to make this manual as complete and clear as possible. Additional info may be published in our website:

www.serpent.com or you may ask your dealer or the Serpent distributor for advice, or email Serpent direct: info@serpent.com

The Serpent Facebook, Twitter and Youtube pages give additional means of support and communications.

Instructions, how to use

The kit includes bags, with bag numbers, which refer to the same step in the manual. Open only the indicated bag(s) per step and finish that part of the assembly. Remaining parts will be needed later on in the assembly process.

Instructions

Serpent's long tradition of excellence extends to the instruction manuals, and this instruction manual is no exception. The easy-to-follow layout is richly illustrated with 3D-rendered full-color images to make your building experience quick and easy. Following the instructions will result in a well-built, high-performance race-car that will soon be able to unleash its full potential at the racetrack.

SETUP

In certain assembly steps you need to make basic adjustments, which will give you a good initial setup for your Serpent S411FF. Fine-tuning the initial setup is an essential part of building a high-performance racecar like your S411FF.

Exploded views and partslist

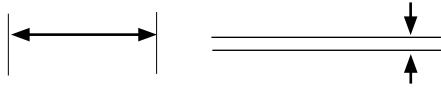
The exploded views and parts lists for the Serpent S411FF are presented in the Reference Guide section in the back of this manual. The exploded views show all the parts of a particular assembly step along with the Serpent part number. The parts lists indicate the part number and name of each part for easy reference when ordering.

Read this first!

- This is a highly technical hobby product, intended to be used in a safe racing environment. This car is capable of speeds in excess of 80 km/h or 50mph. Please follow these guidelines when building and operating this model.
- Parental guidance is required when the builder/user of this car is under 16.
- Follow the building instructions. If in doubt, contact your dealer or importer.
- Be sure to use the proper tools when assembling the car. Always exercise caution when using electric tools, knives and other sharp objects.
- Be careful when using liquids like lubrication oil, fuel or glue. Do not swallow.
- Follow the manufacturer's instruction in case you experience irritation after using the product.
- Be careful when operating the car. Stay away from any rotating parts such as wheels, gears and transmission. Stay away from motor, engine and exhaust pipe system or speedo during and immediately after use, as these parts may be very hot. We advise to use protective hand gloves.
- Only operate this car in a safe environment, like a special racing track or a closed parking lot. Avoid using this car on public roads, crowded places or near infants.
- Before operating this car, always check the mechanical status of the car. Also check that the transmitter and receiver frequencies correspond and are not used by any other racer at the same time. Check that the batteries of the transmitter and receiver- are fully charged.
- After use, always check all the mechanics of the car. We advise to clean the car immediately after use, and inspect the parts for wear or fractures. Replace when necessary. Do not use water, methanol, thinner or other solvents to clean the car.
- Empty the fuel tank (depending on model) if needed and disconnect the receiver battery.
- Store the car in a dry and heated place to avoid corrosion of metal parts.
- Avoid using this car in wet conditions as the water will cause corrosion on the metal parts and bearings and these parts will cease to function properly. If driven in the wet, ensure that all the electric equipment is waterproofed and after use, that all moving parts are dried immediately.

USING THE MANUAL

①



Step number;
the order in which you should assemble the indicated parts

Length after assembly / Gap between two items

Assembly path of one item into another

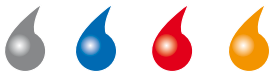
Group of items (within lines) should be assembled first

Direction the item should be moved

Glue one item to another

Press/Insert one item into another

Connect one item to another



Apply transmission grease*(Grey), threadlock* (Blue), CA glue* (Red)
or differential oil (Orange), Silicon oil (*Items not included.)

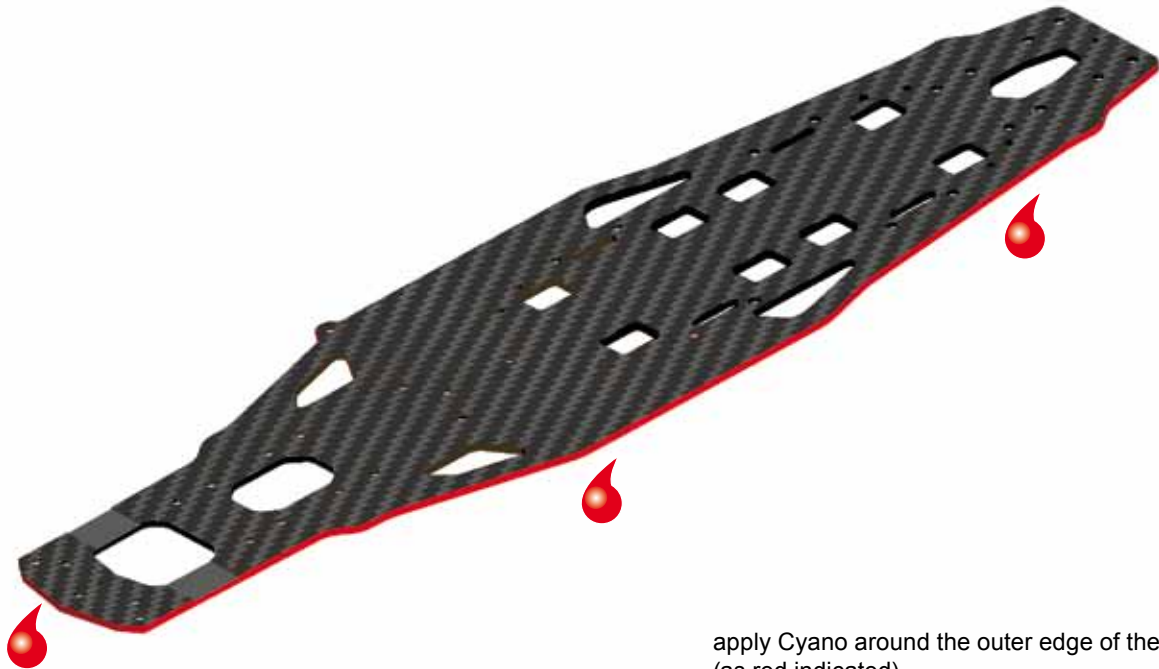
ASSEMBLY INSTRUCTIONS

The slide features a decorative graphic consisting of three wavy lines that span the width of the page. One line is orange and the other two are black. They overlap and create a layered, fluid effect across the middle of the slide.

A

1

KIT



apply Cyano around the outer edge of the chassis
(as red indicated)



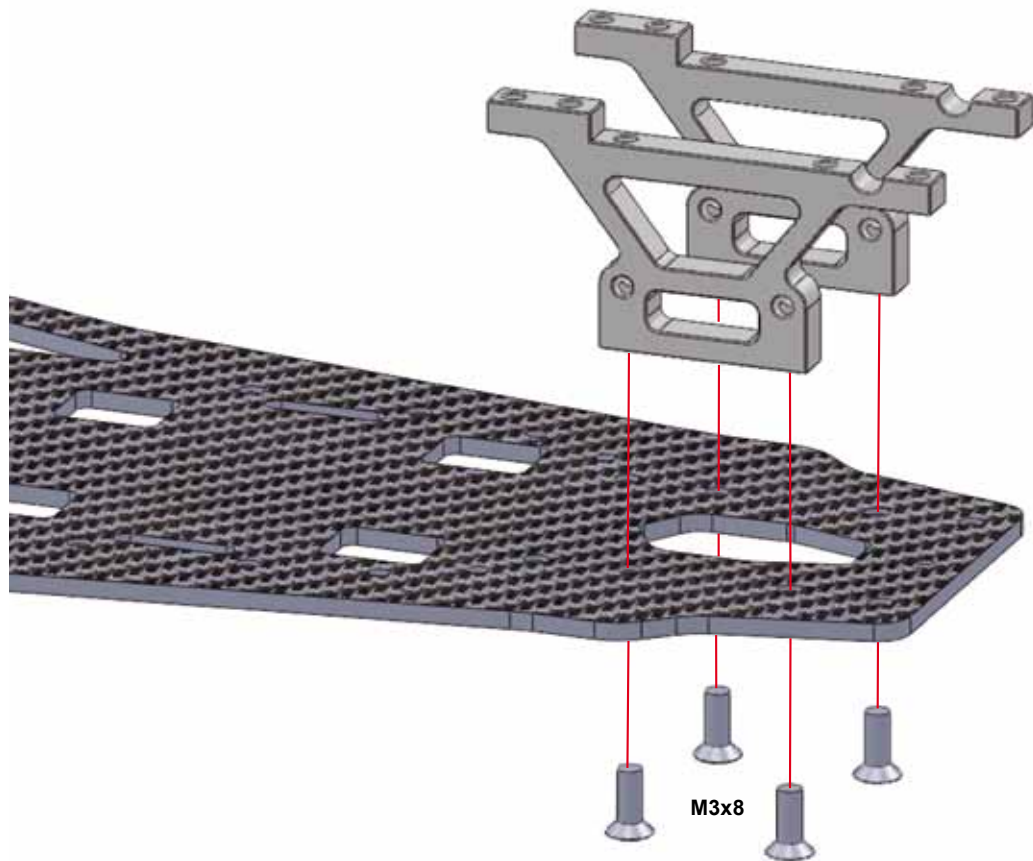
6

A

2

BAG

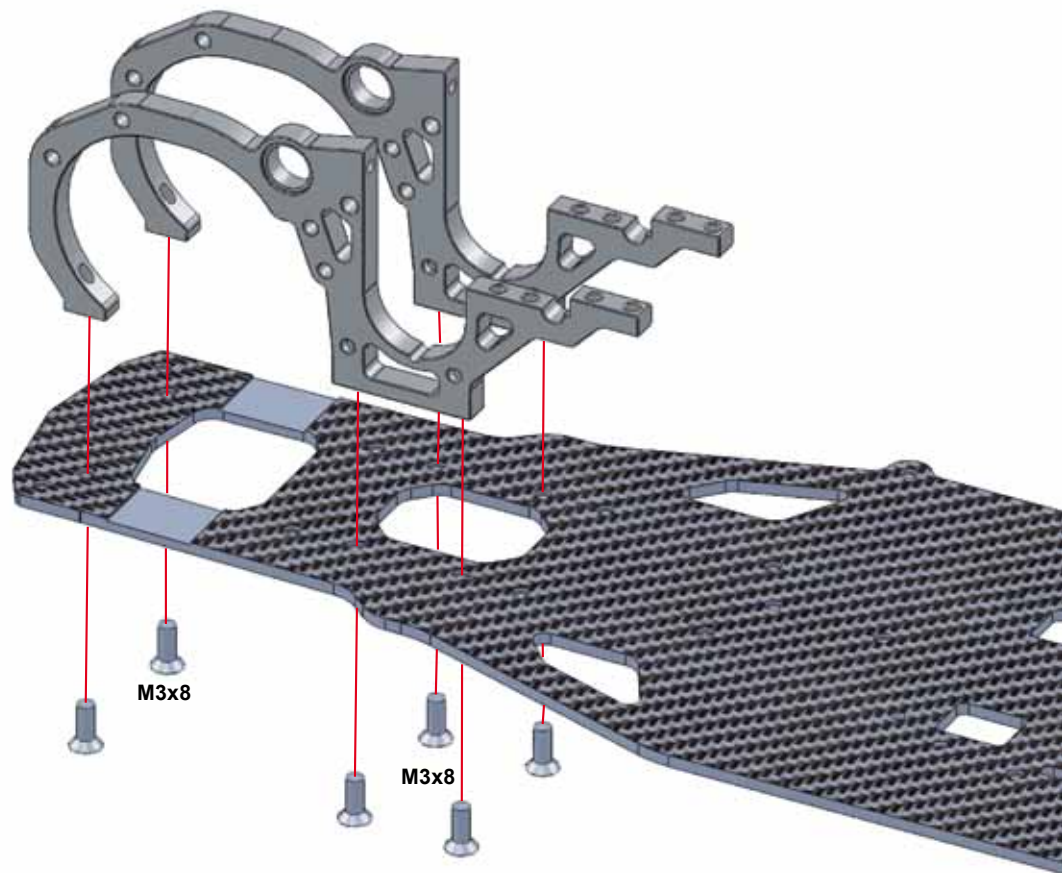
1

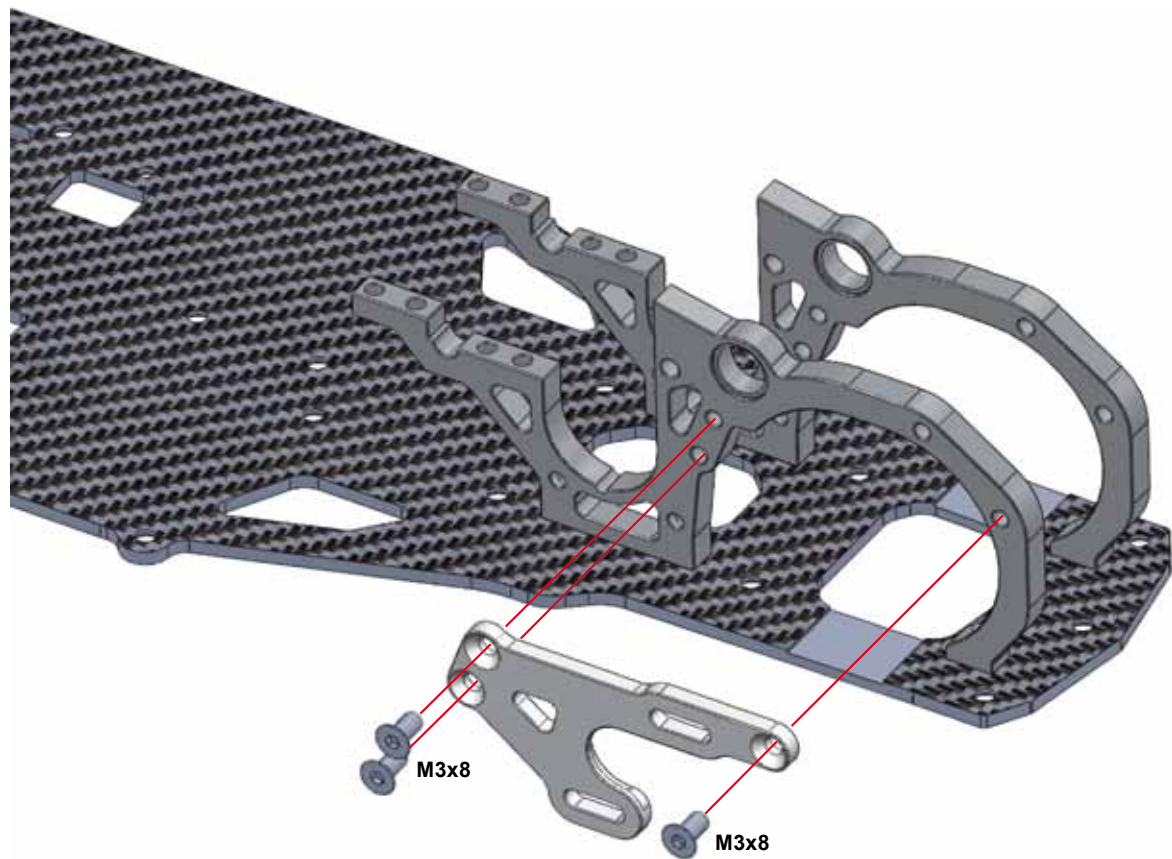


M3x8



7



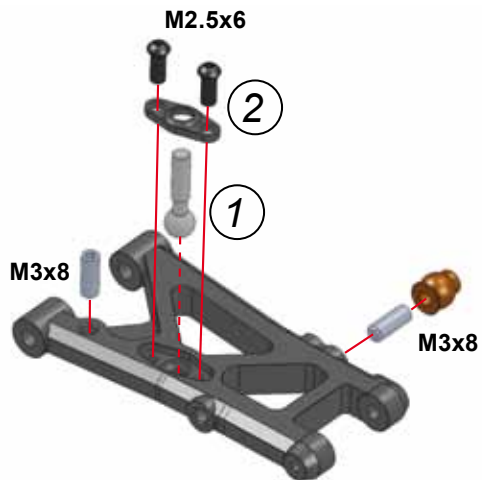


M3x8

M3x8

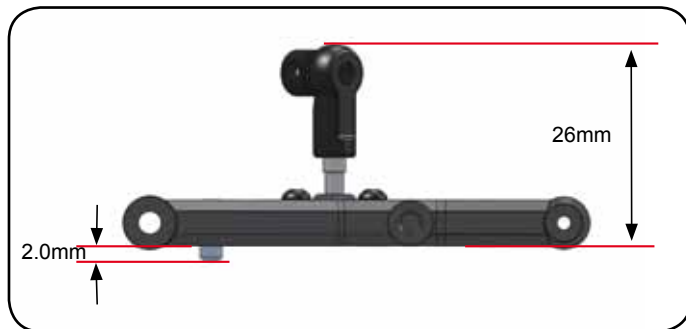
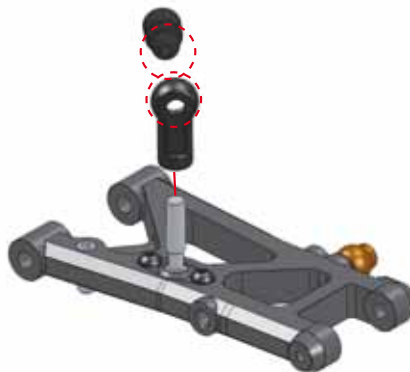
A

5

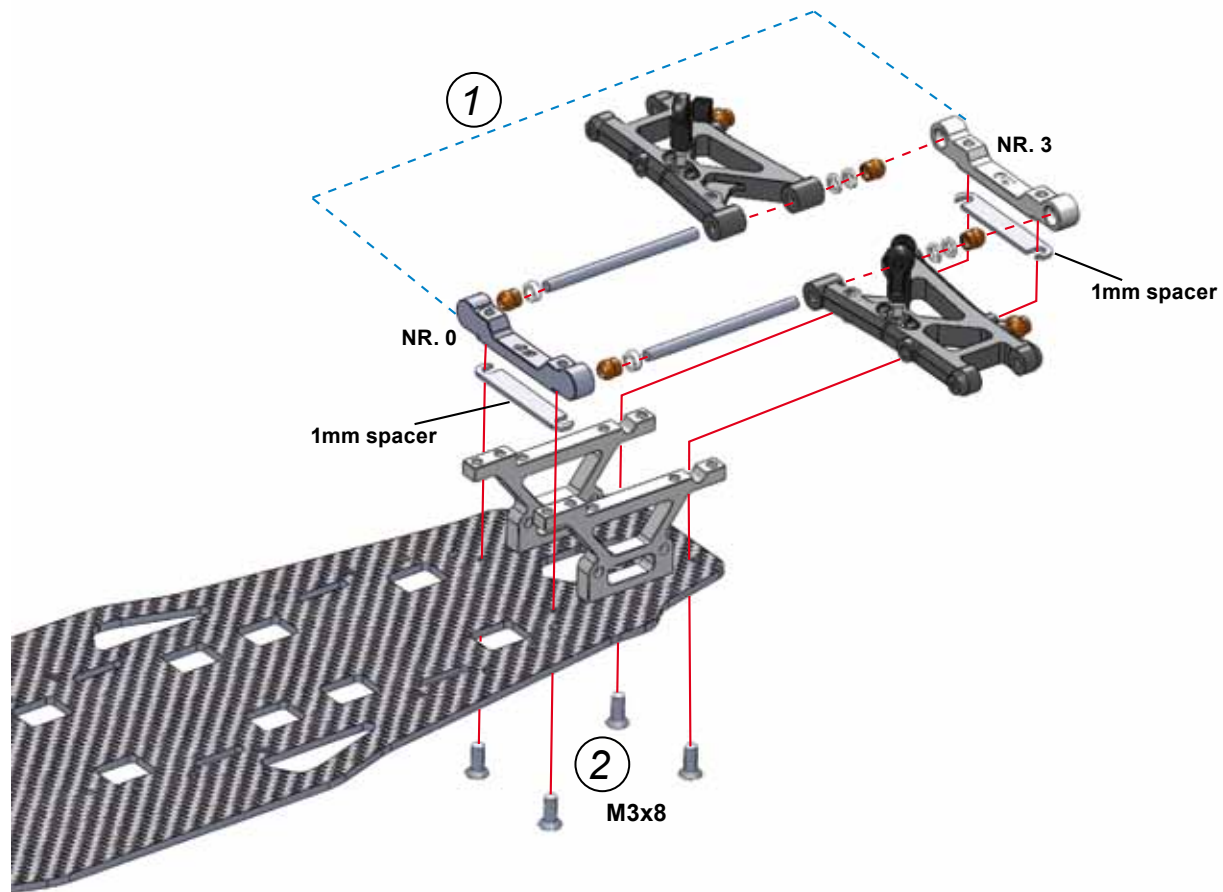


A

5A

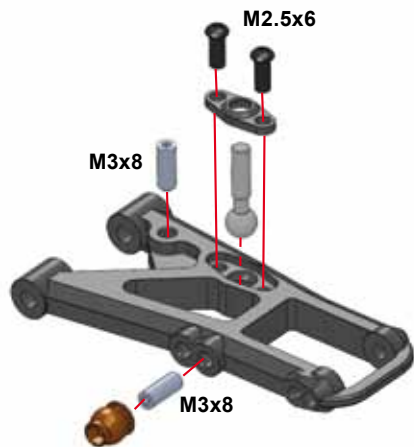


10



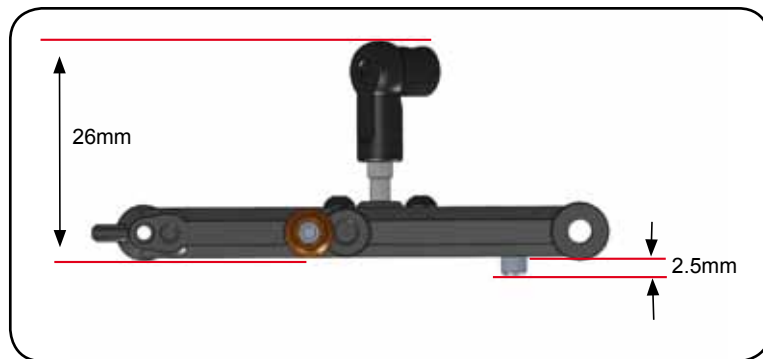
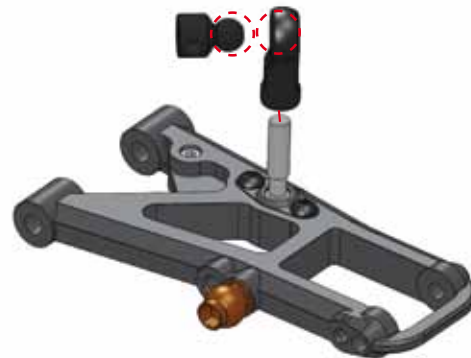
A

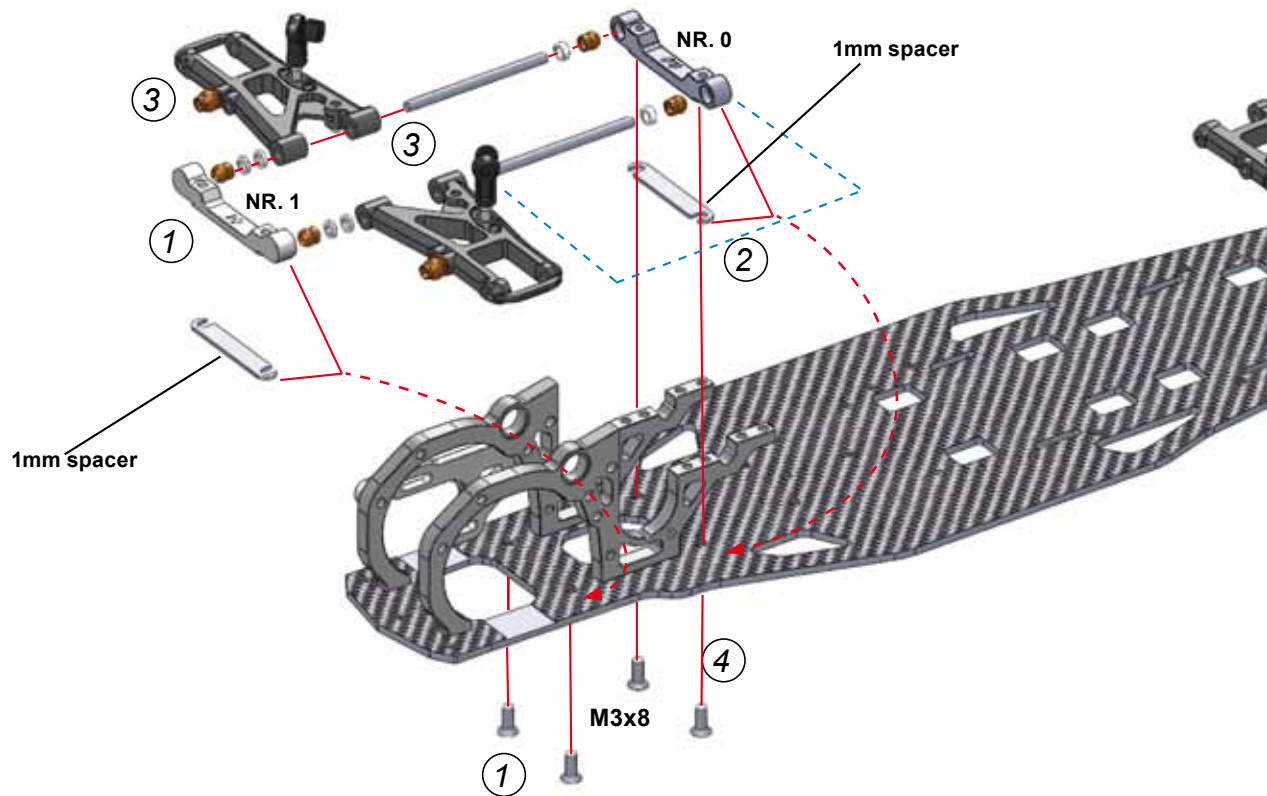
7



A

7A





A

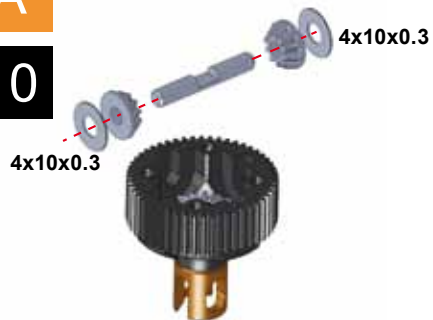
9

DIFF
BAG



A

10



A

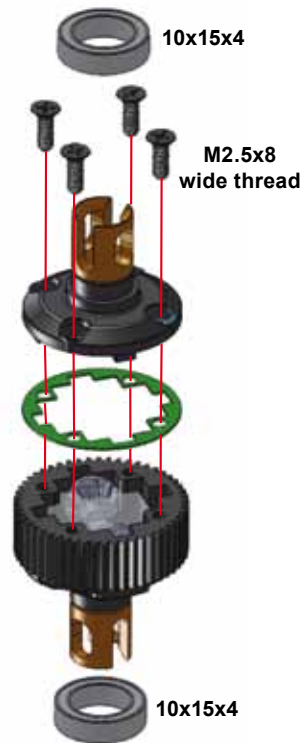
11

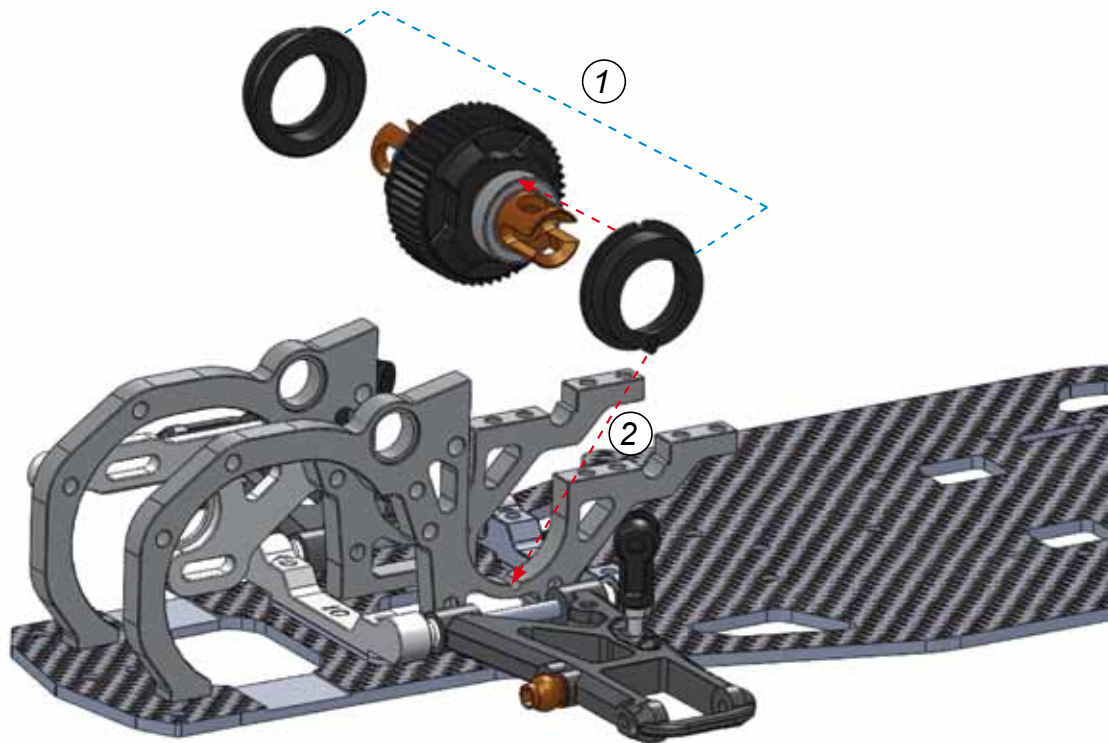
Fill up with silicone oil,
until shaft is just covered

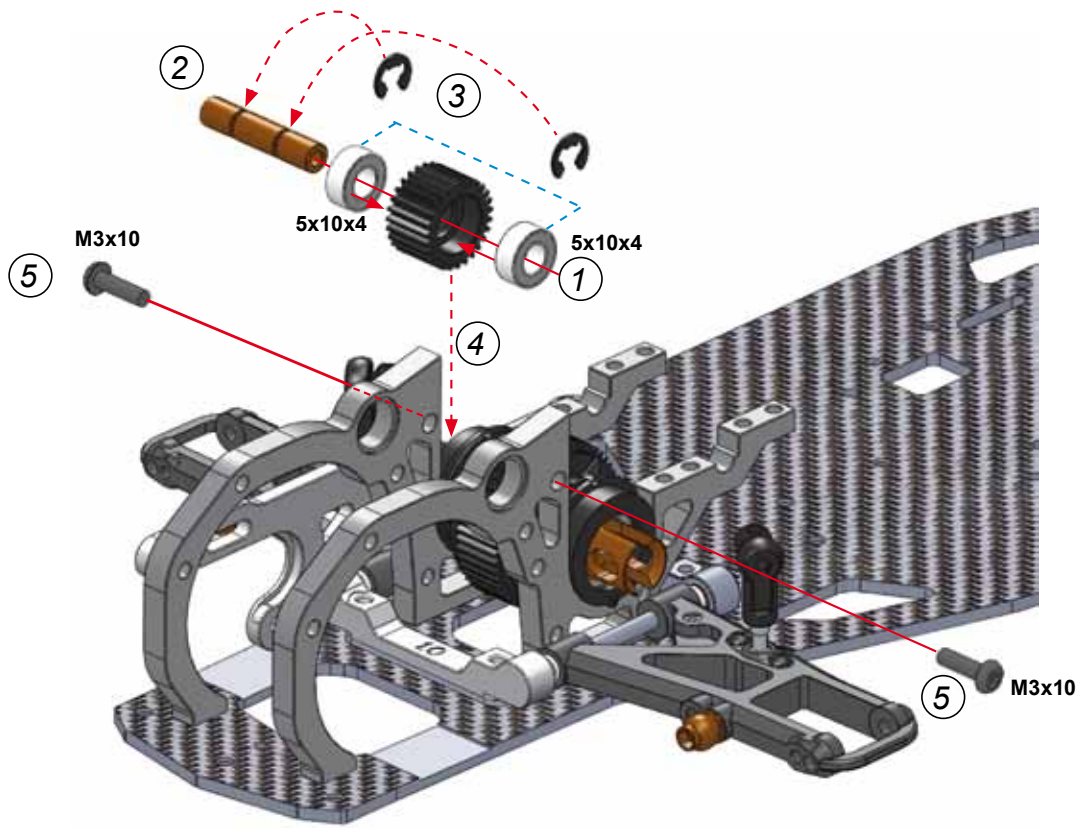


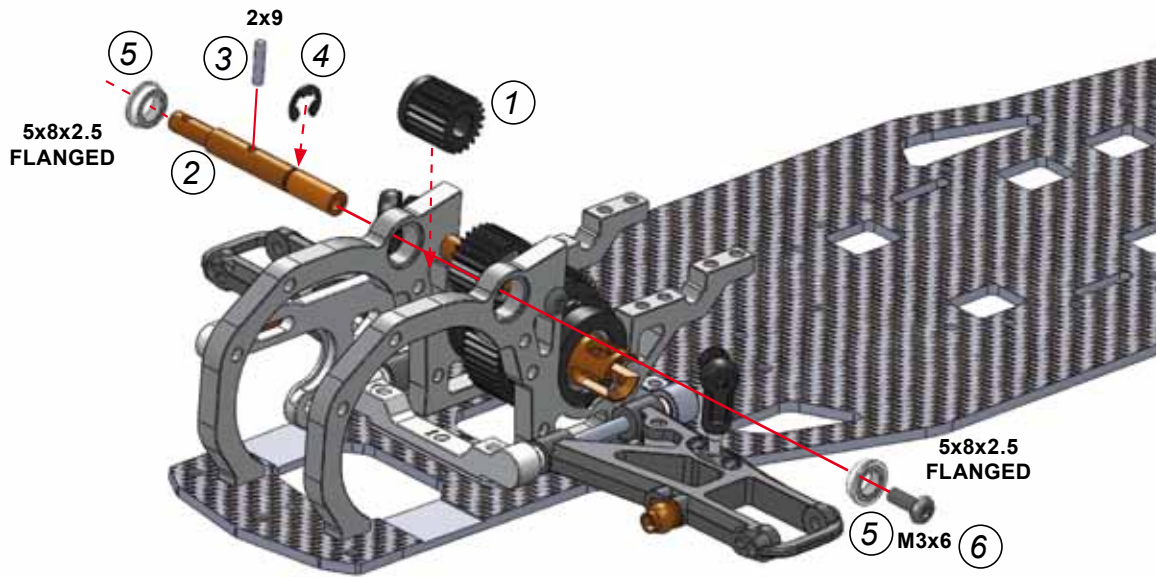
A

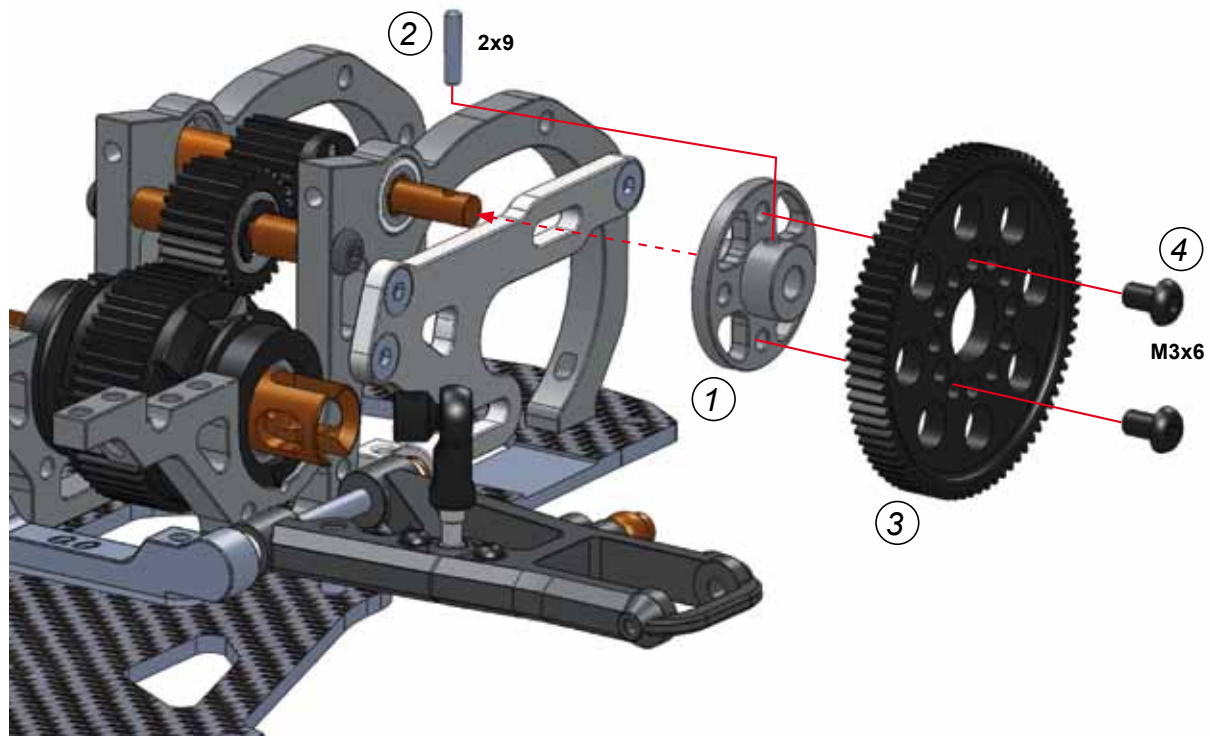
12

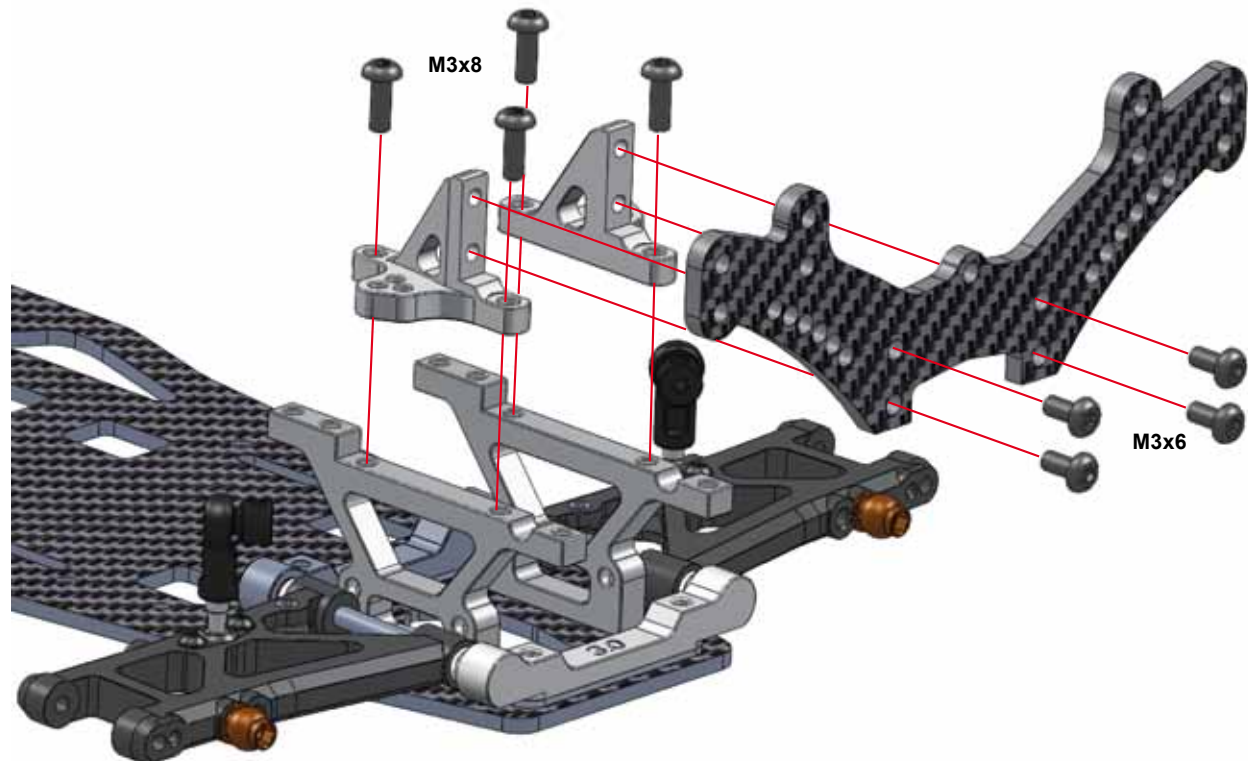


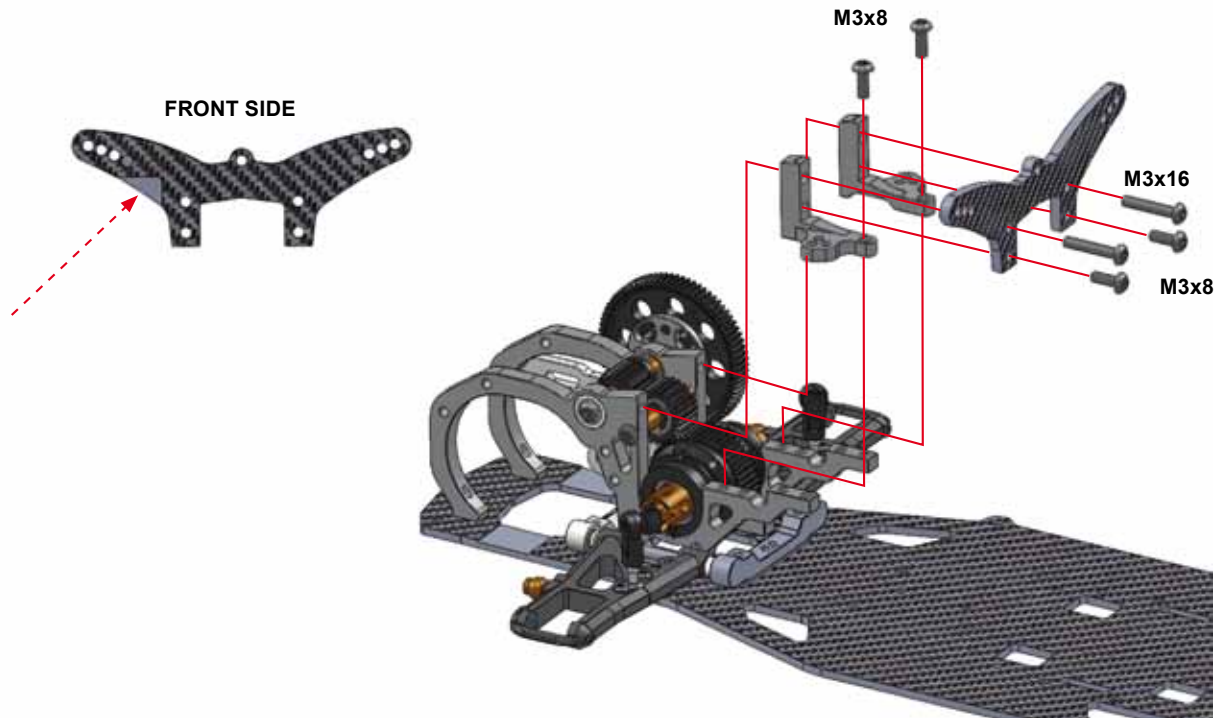


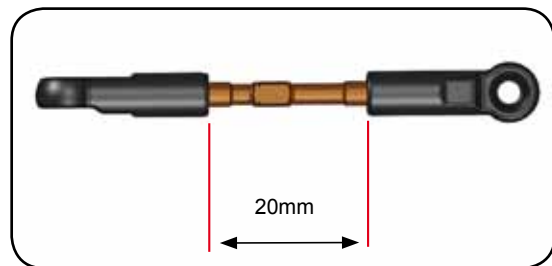
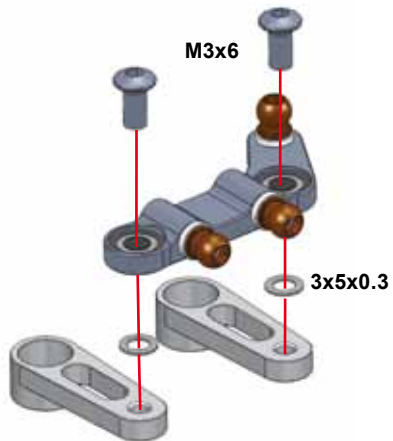
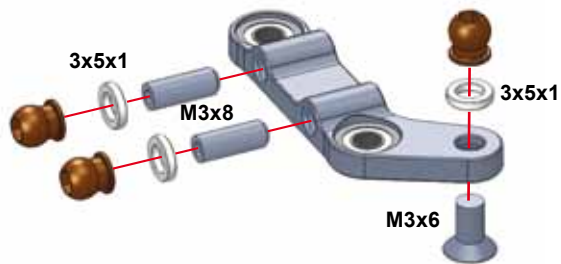


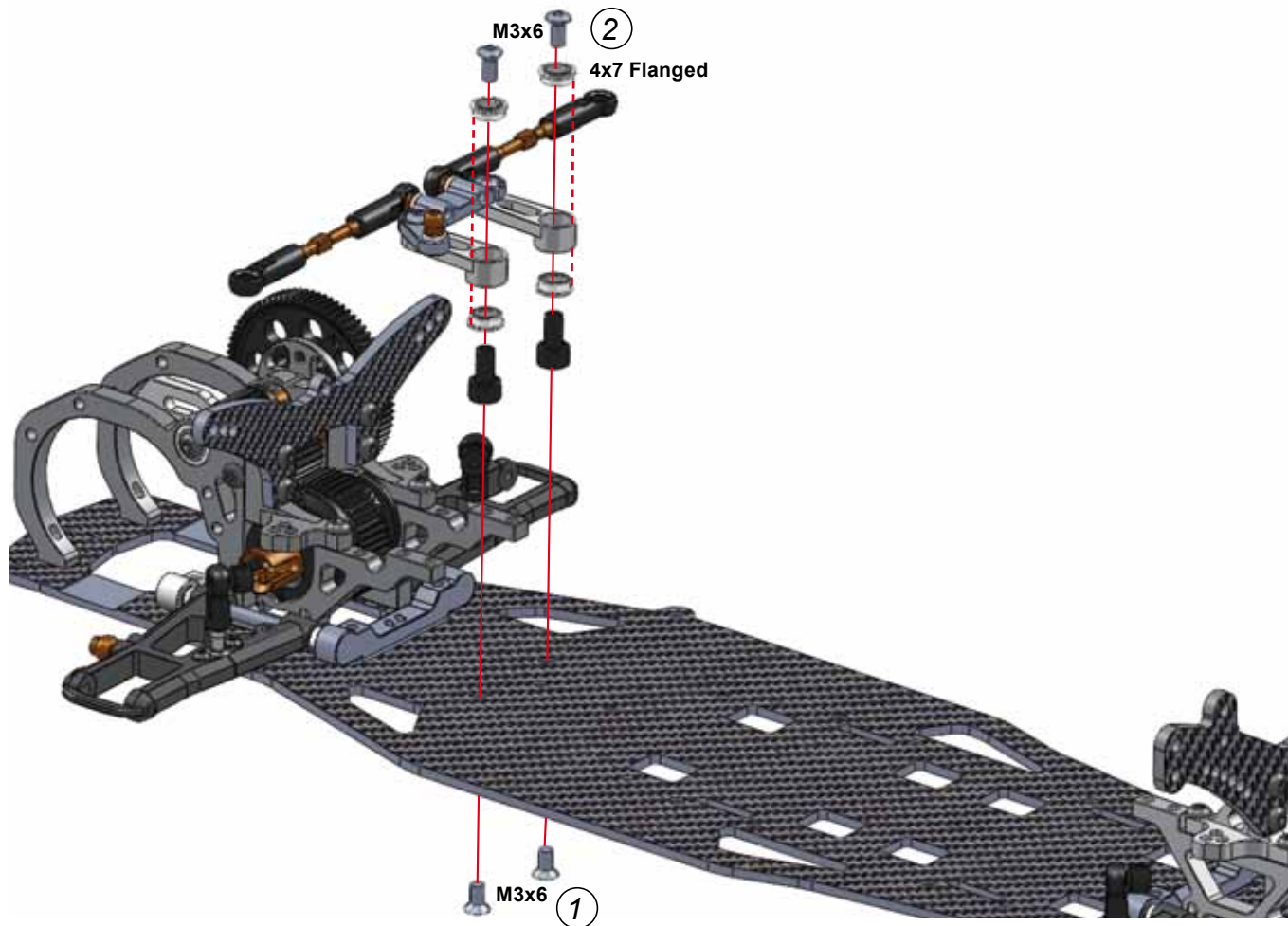


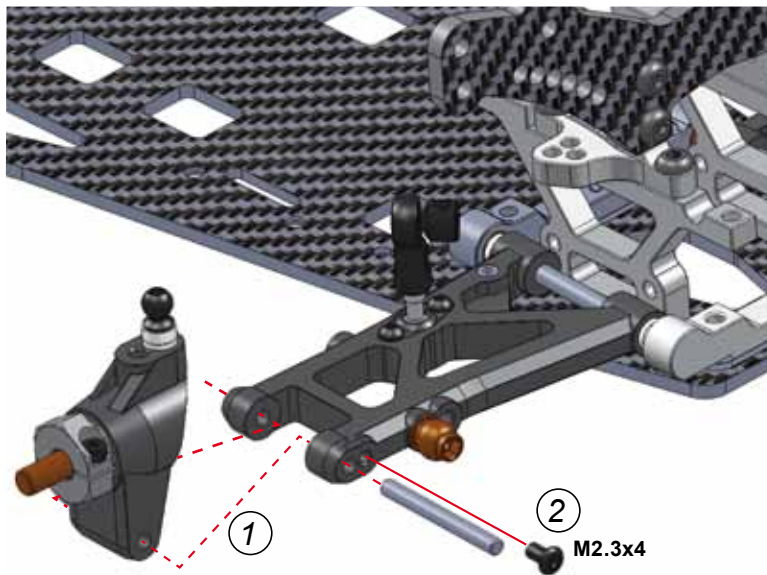
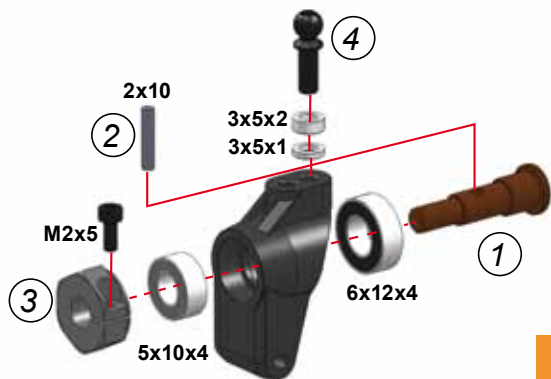


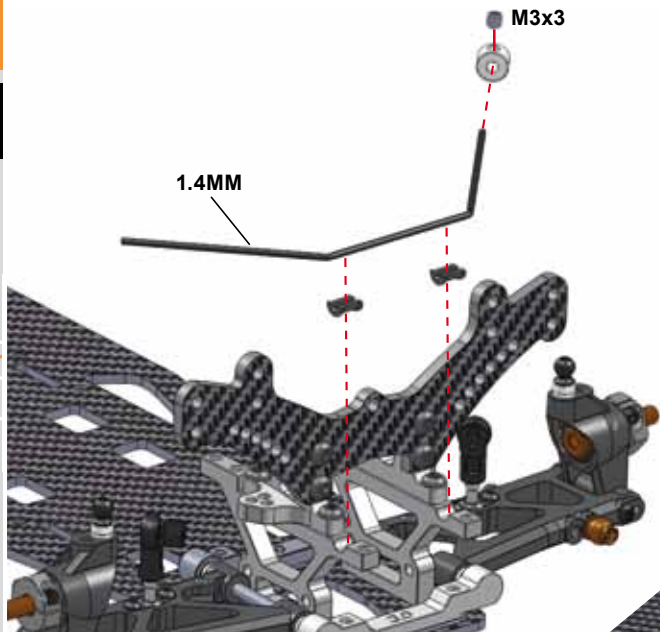






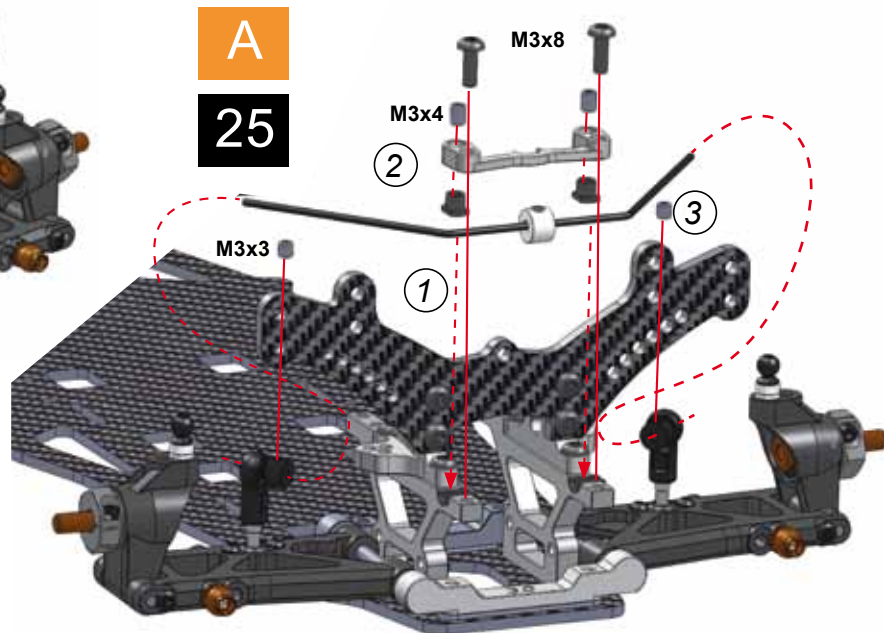






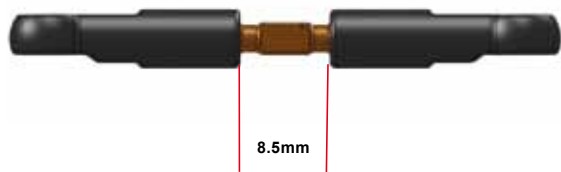
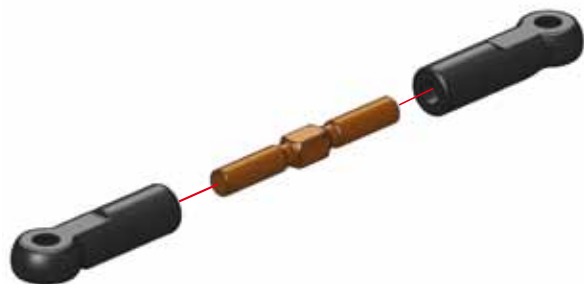
TIP

Make sure to use correct size nylon wire-insert for anti-roll bar



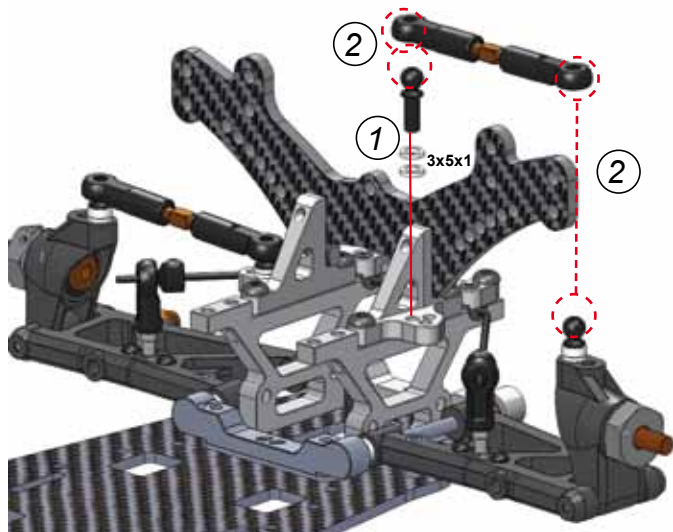
A

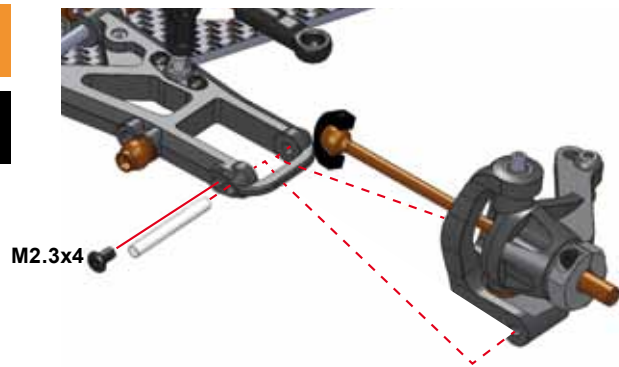
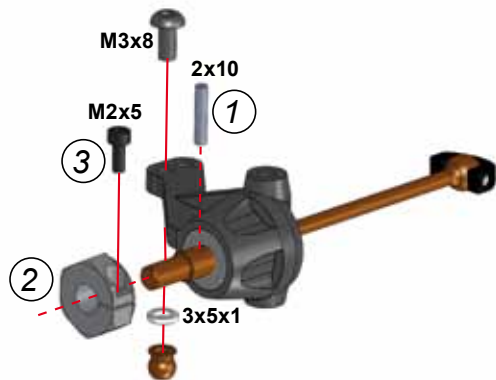
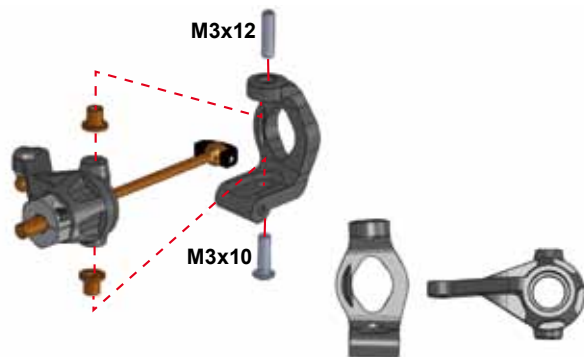
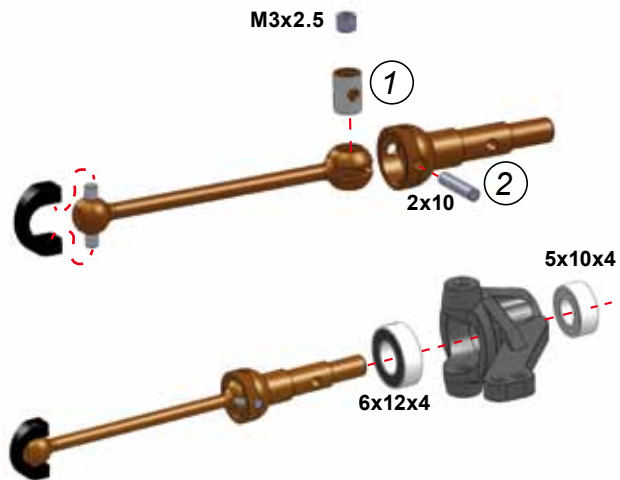
26

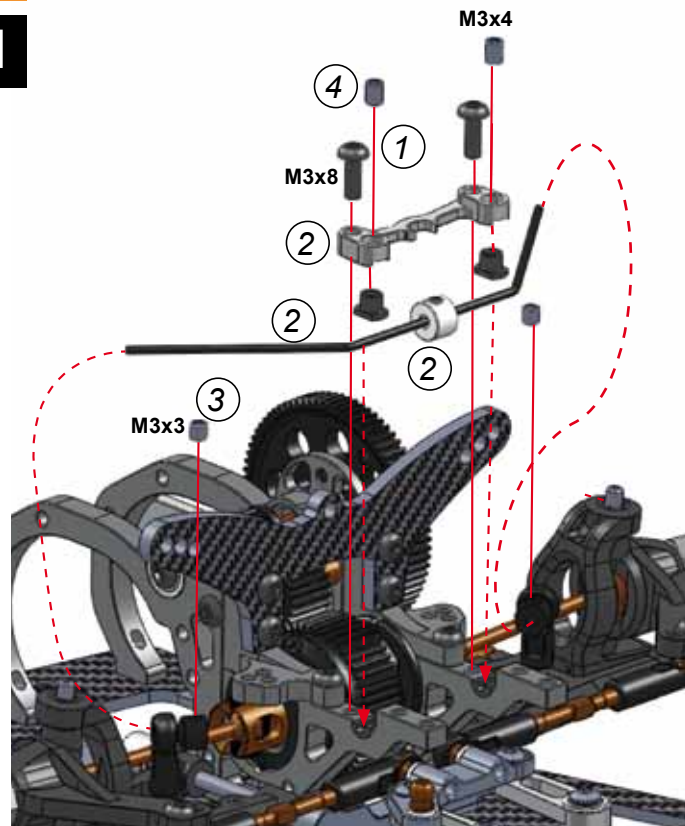
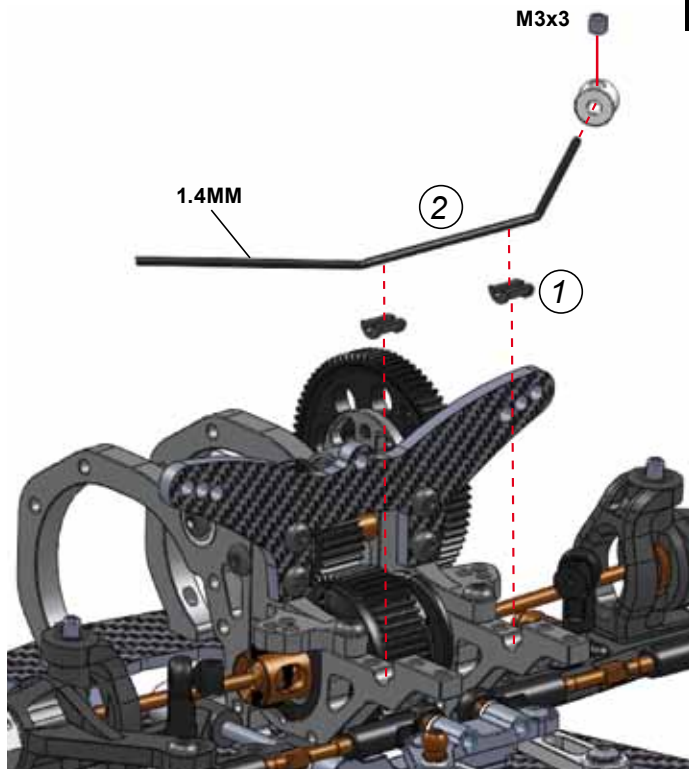


A

27

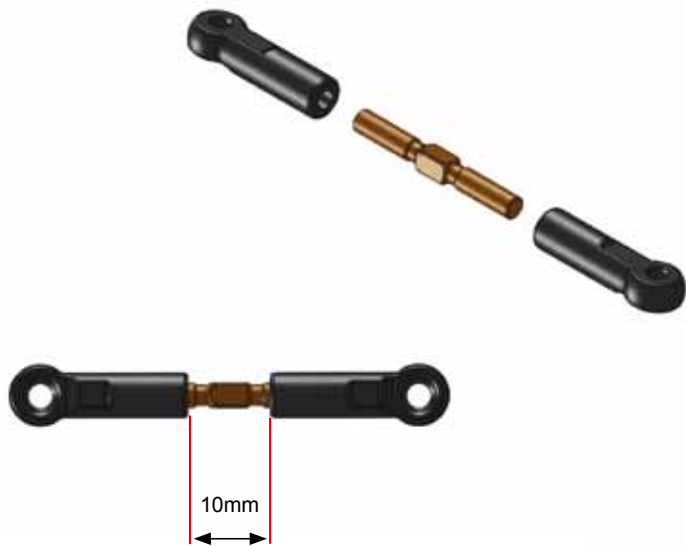






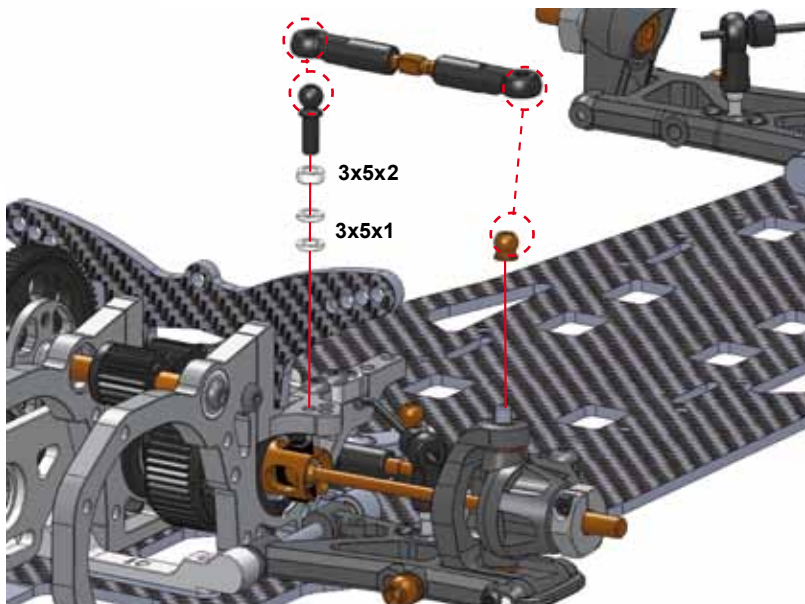
A

32



A

33

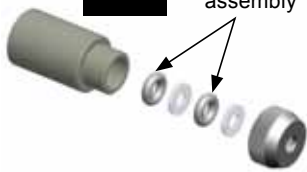


3x5x2

3x5x1

34A

use some
oil during
assembly



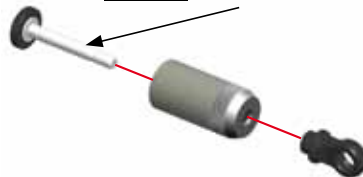
34B

use some
Loctite
to fix the nut

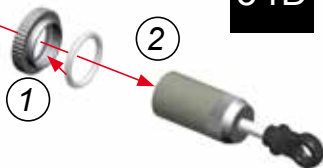


34C

use some
oil during
assembly

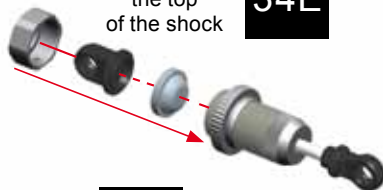


34D



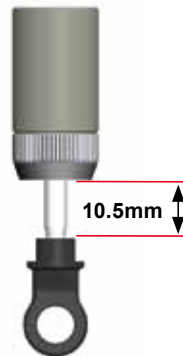
assemble
the top
of the shock

34E



remove the top
of the shock

34F



34G

Fill the shock body
with the supplied
shock absorber oil.



34H

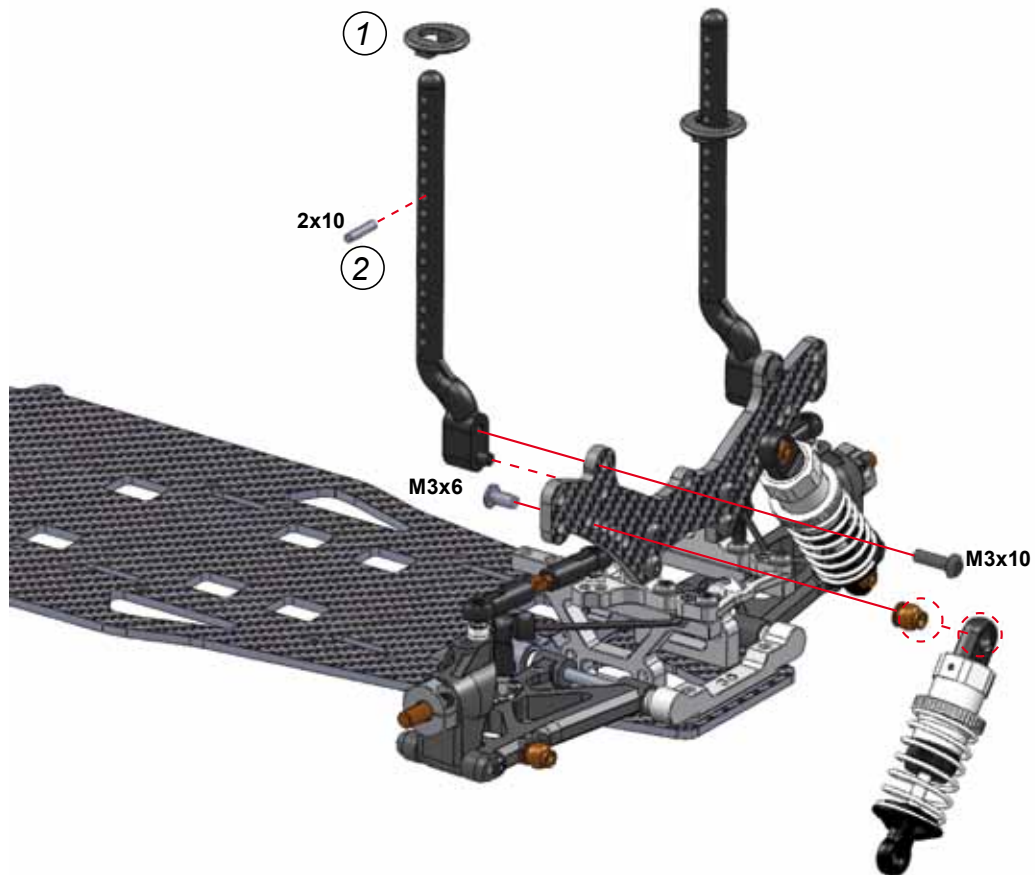
close the top
of the shock

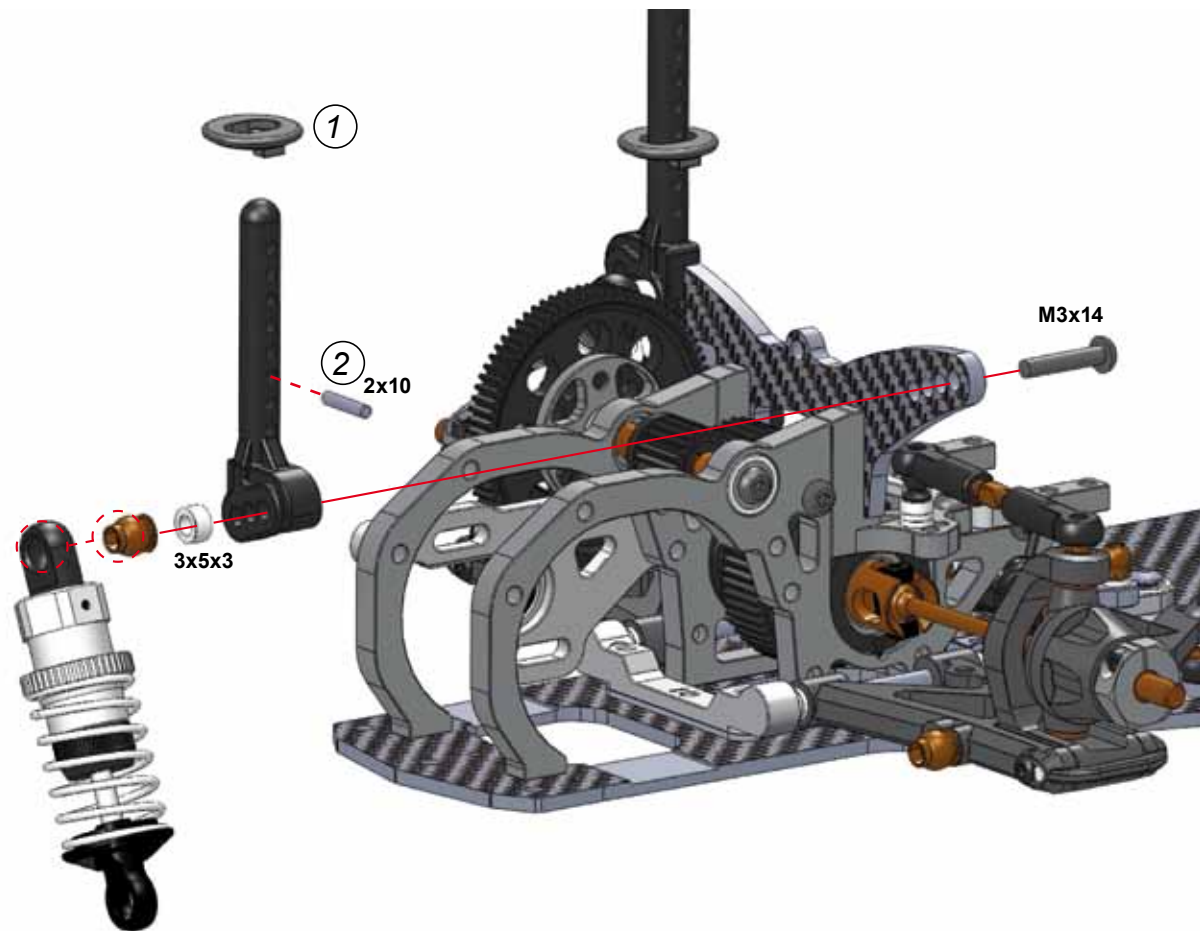


34 I

assemble the
spring





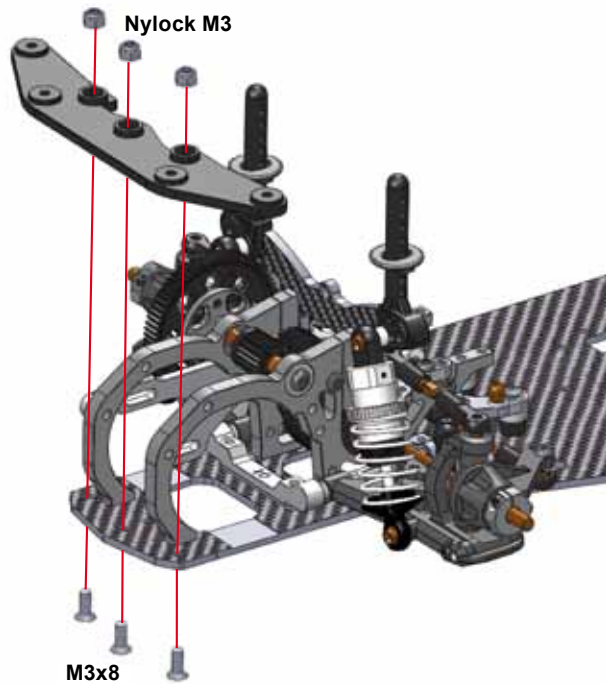


A

37

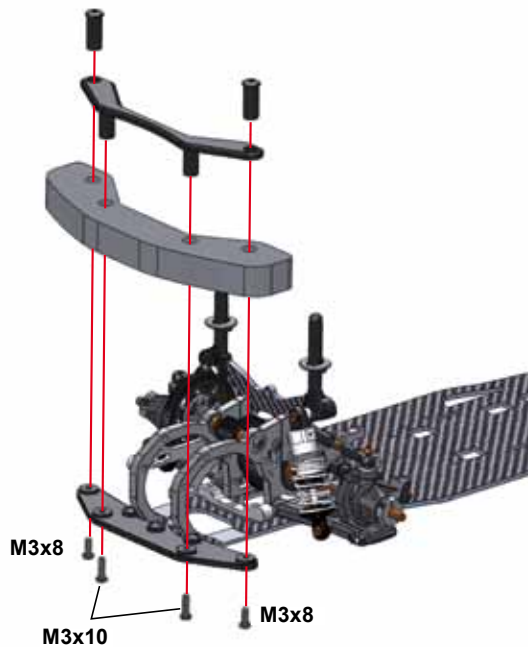
BAG

7



A

38



32

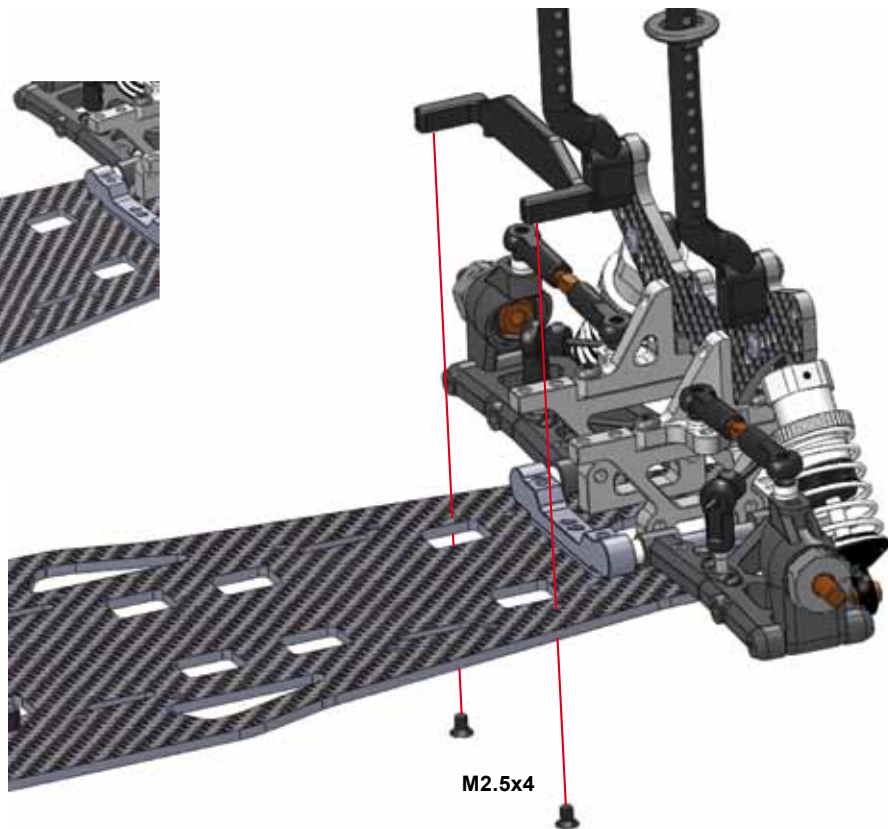
A

39



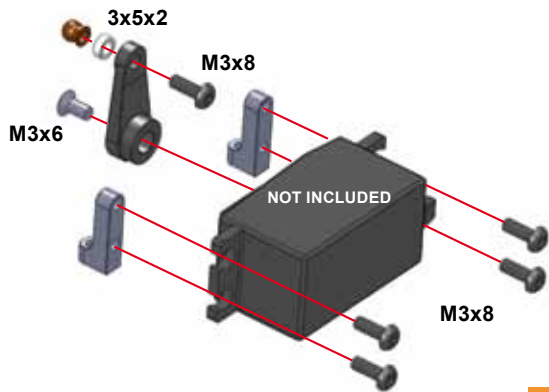
A

40



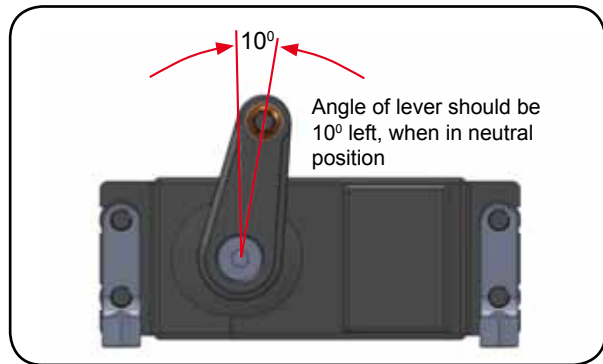
A

41



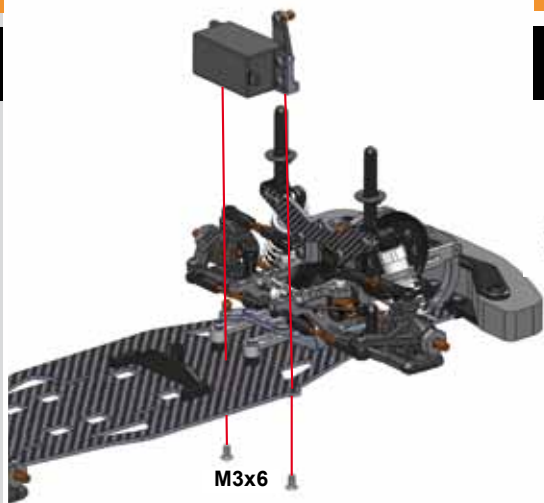
A

42



A

43



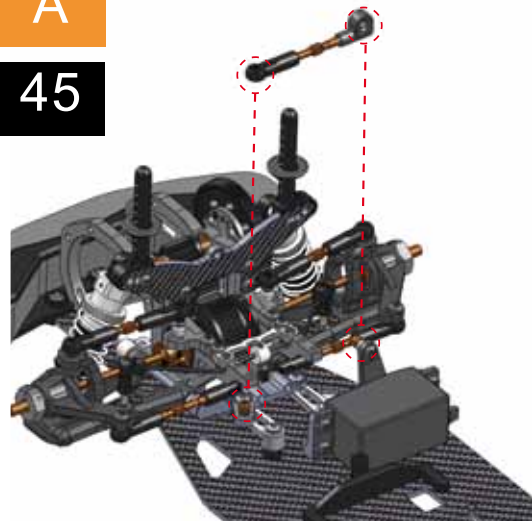
A

44

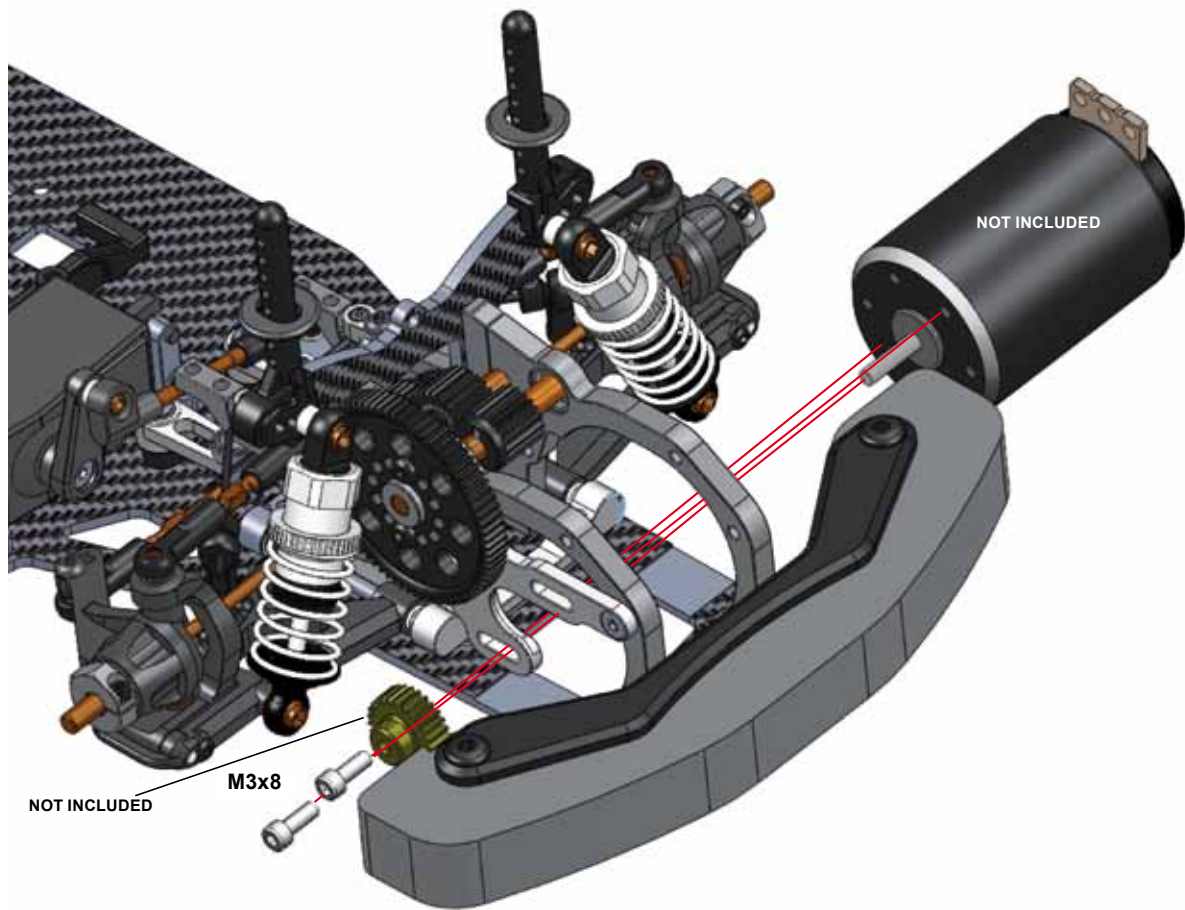


A

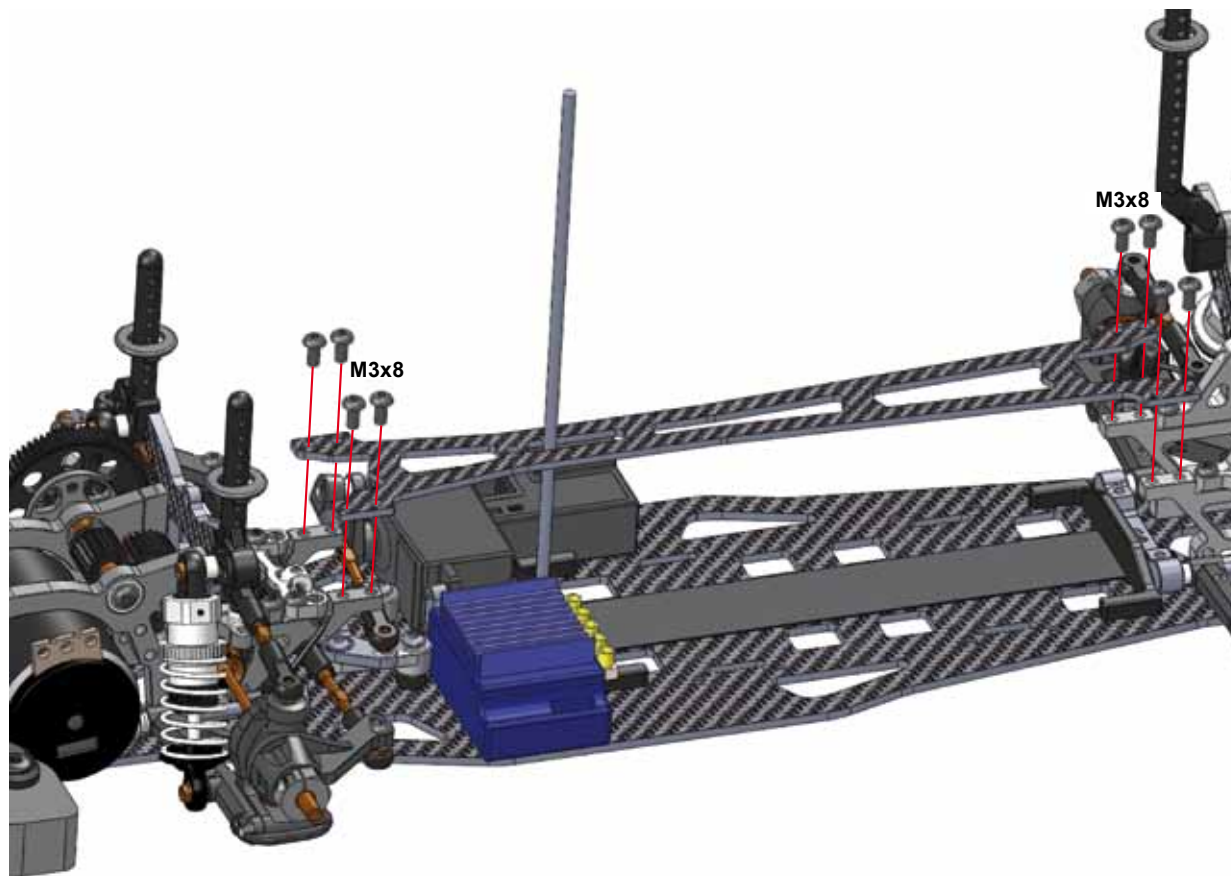
45

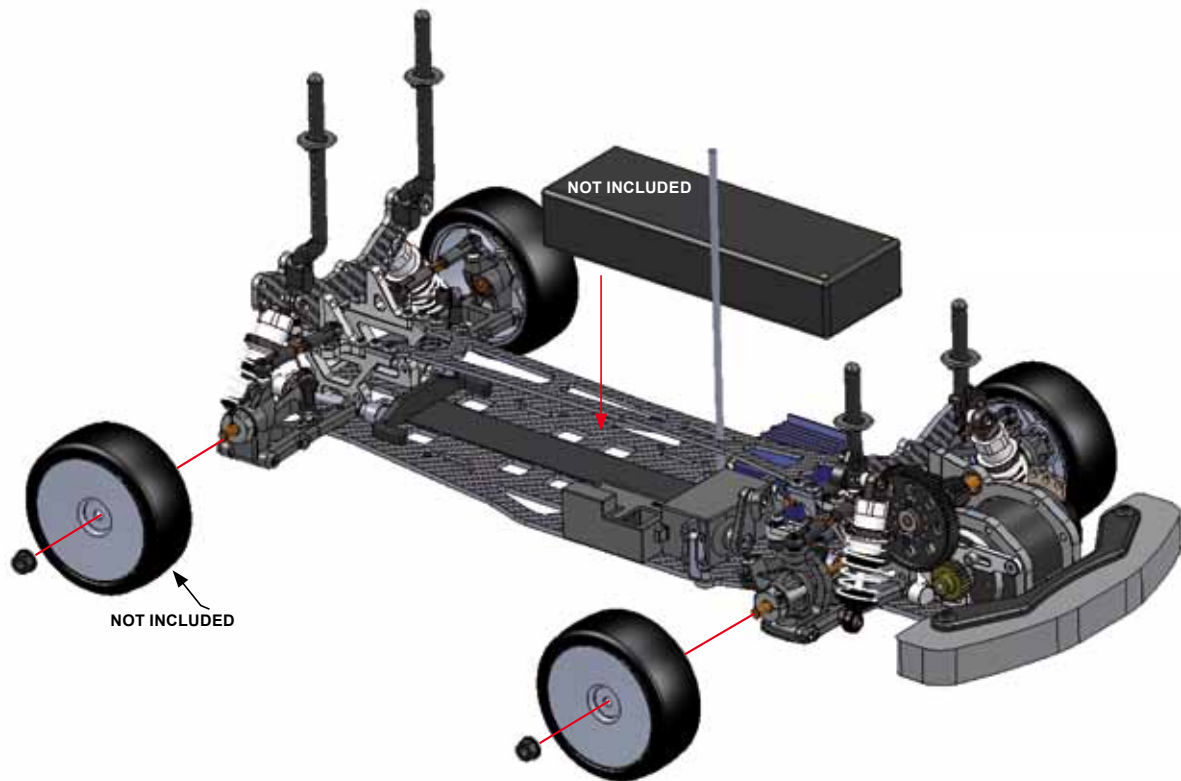


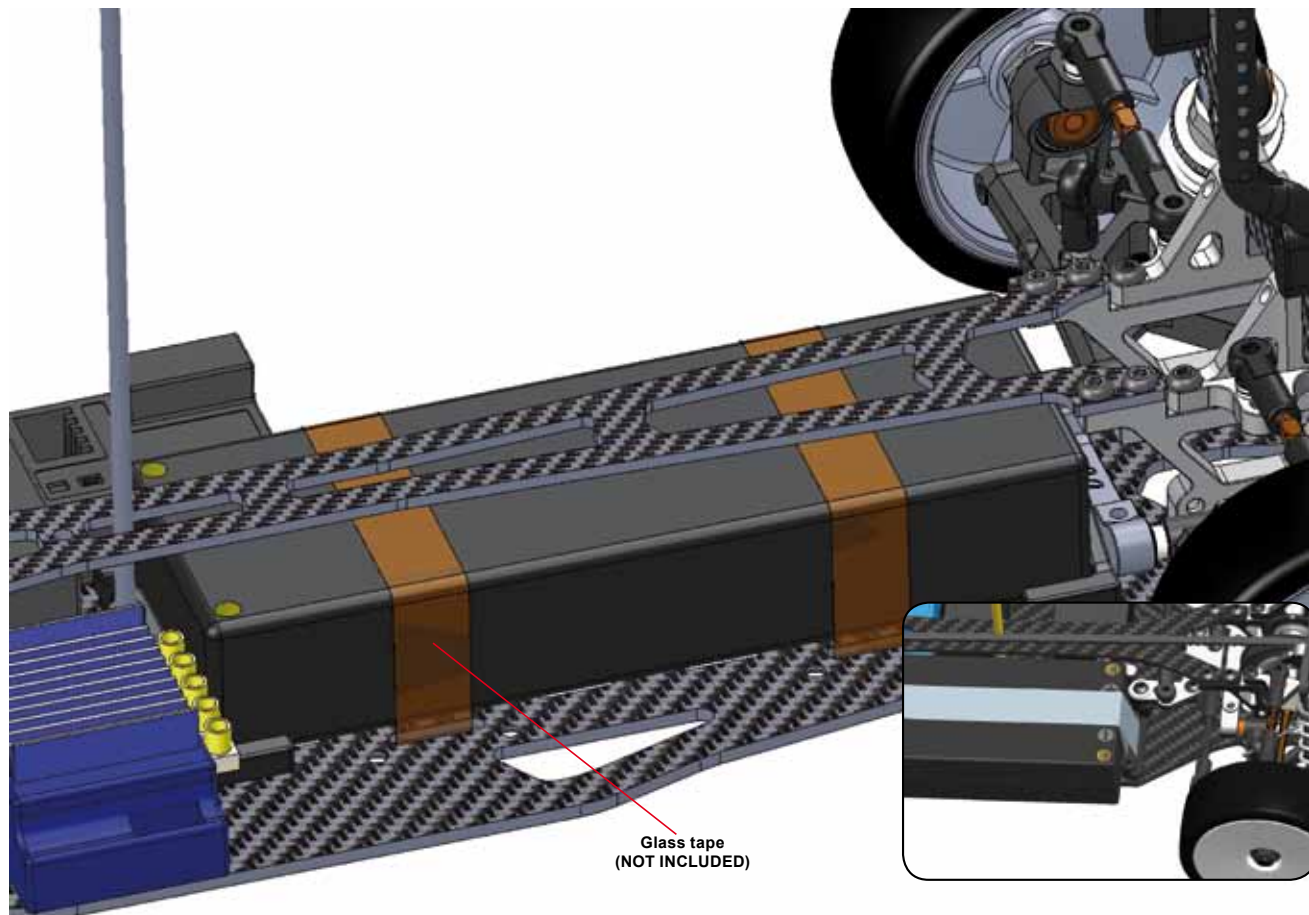
34



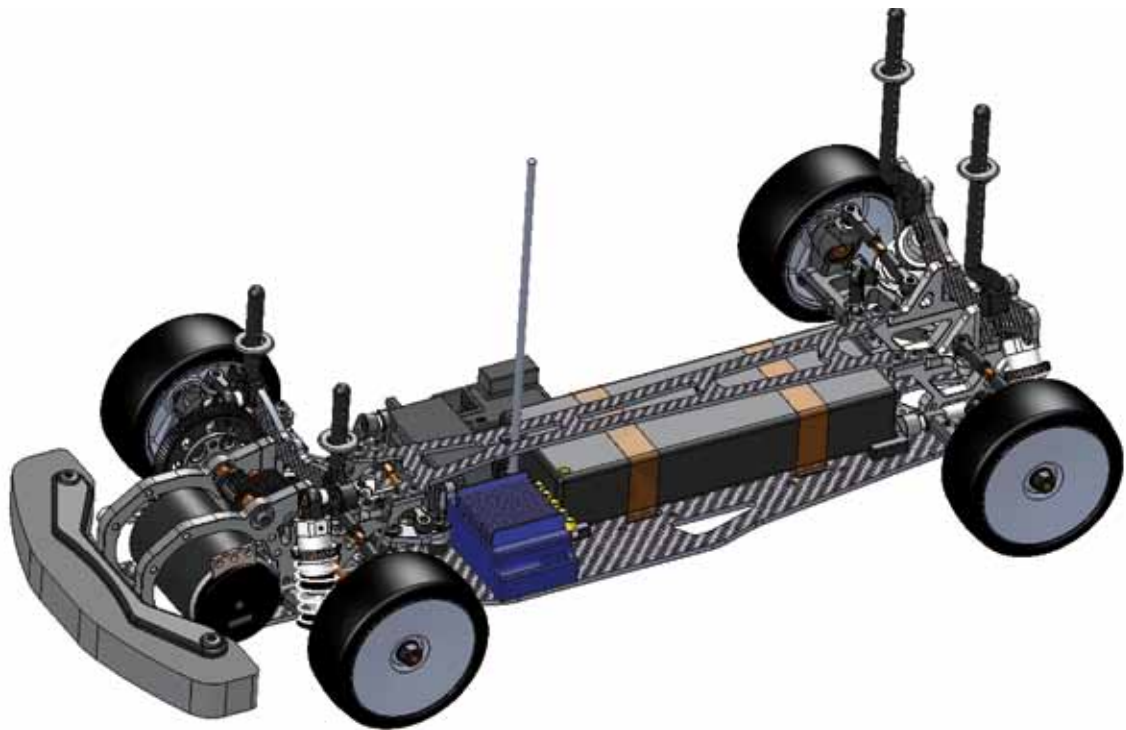




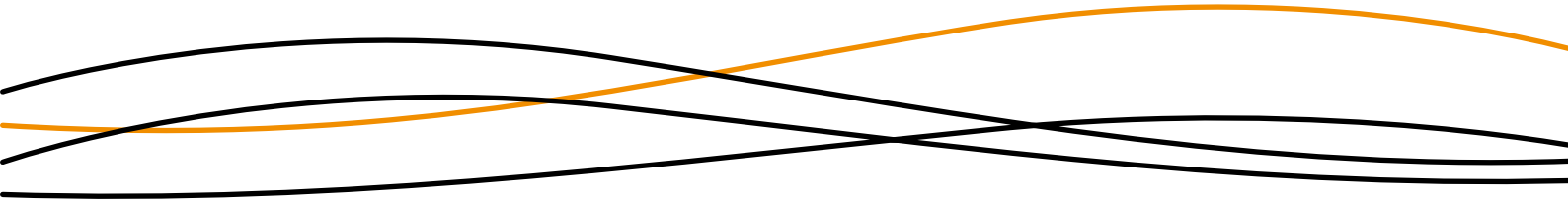


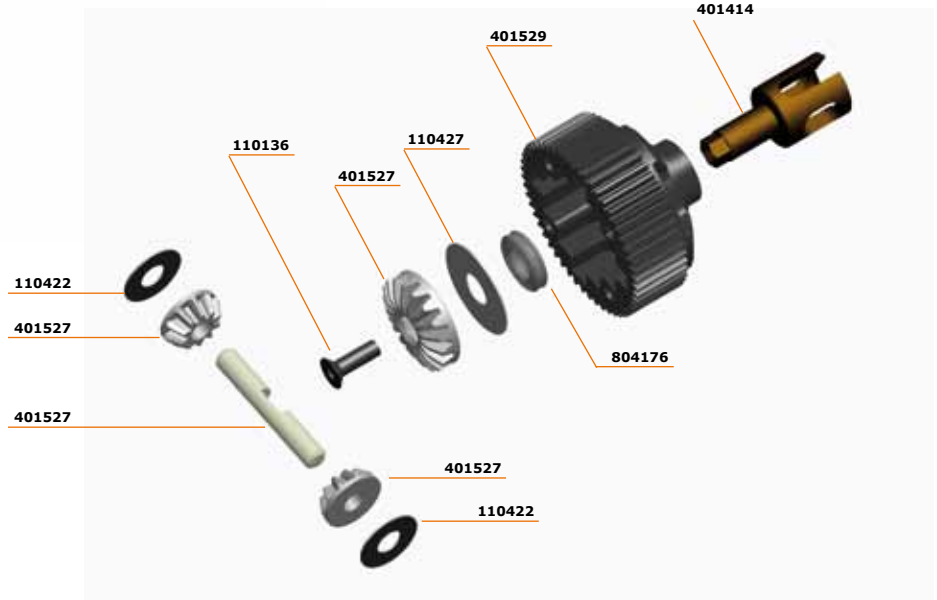
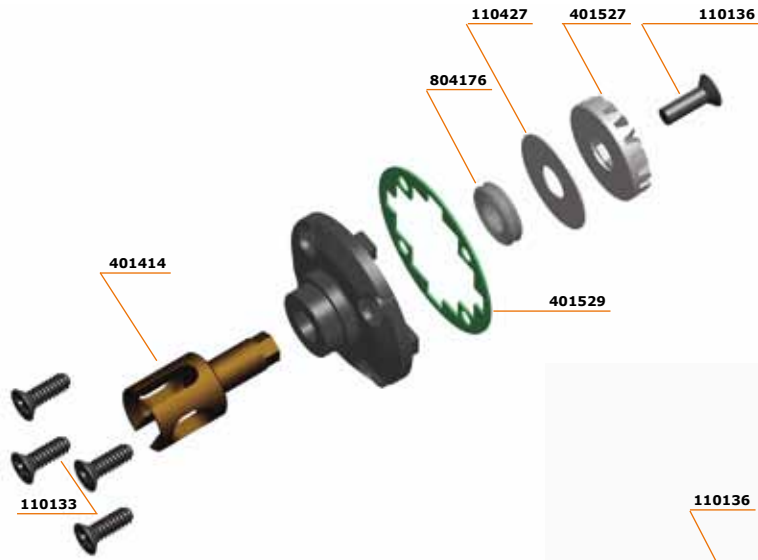


Glass tape
(NOT INCLUDED)

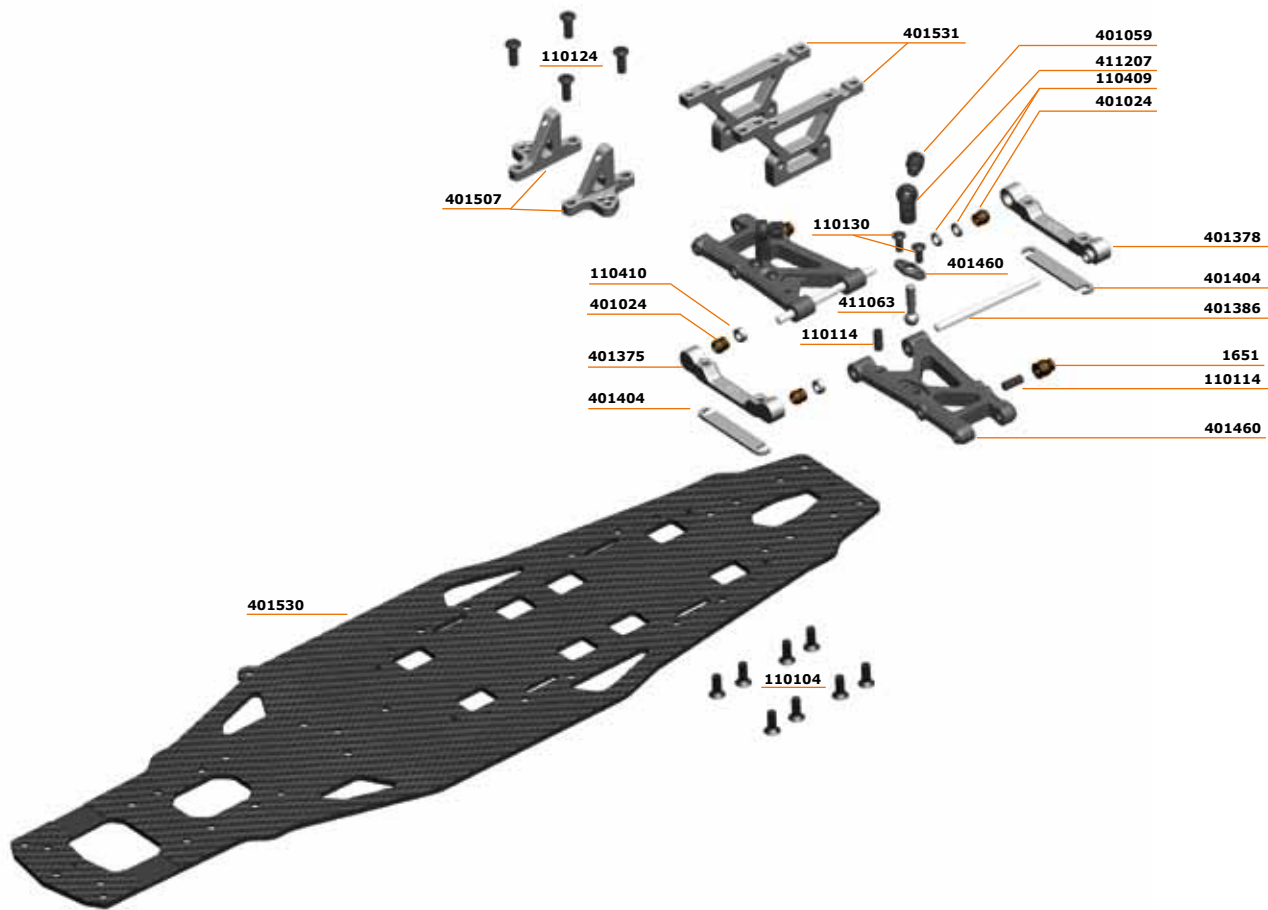


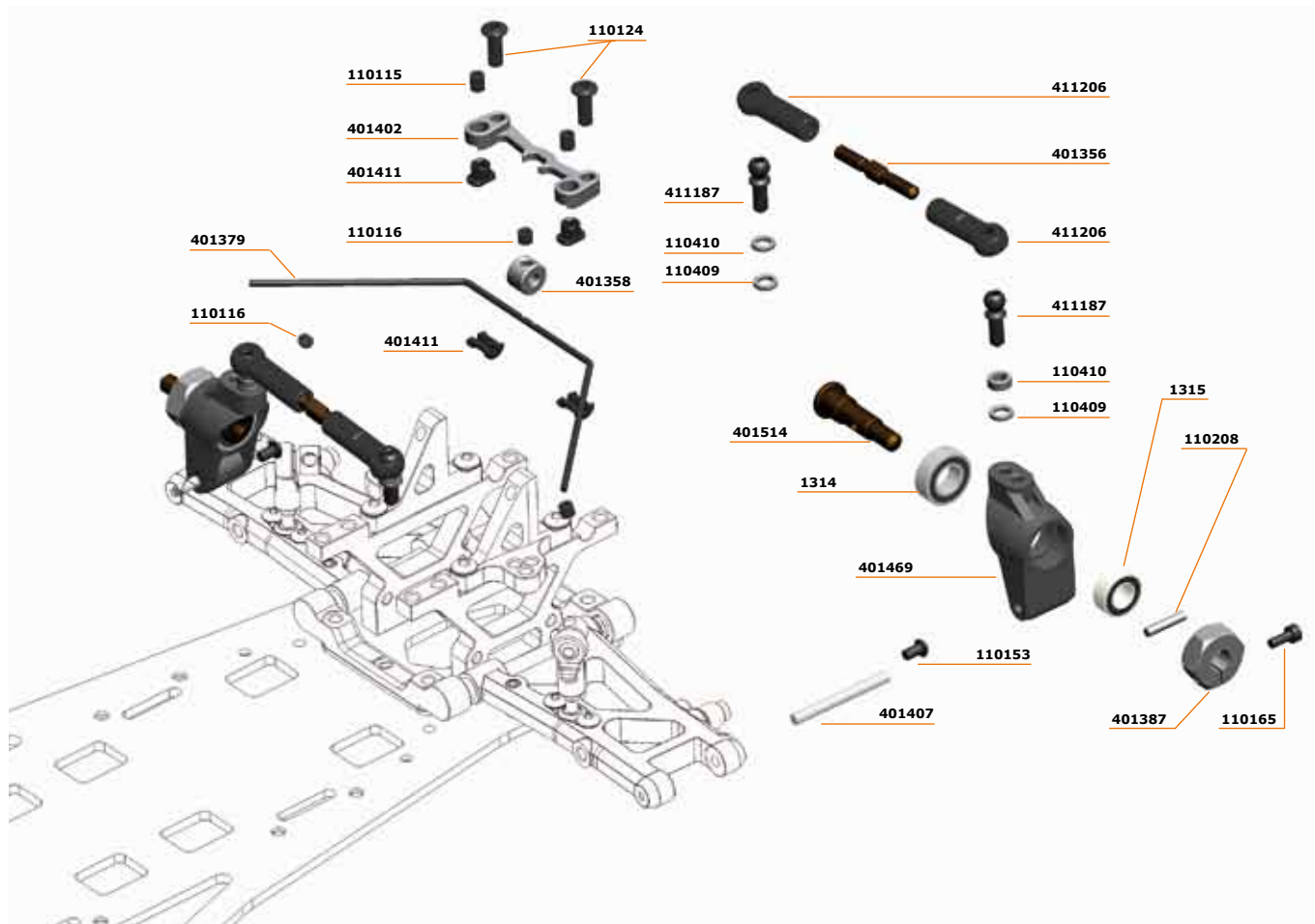
REFERENCE GUIDE

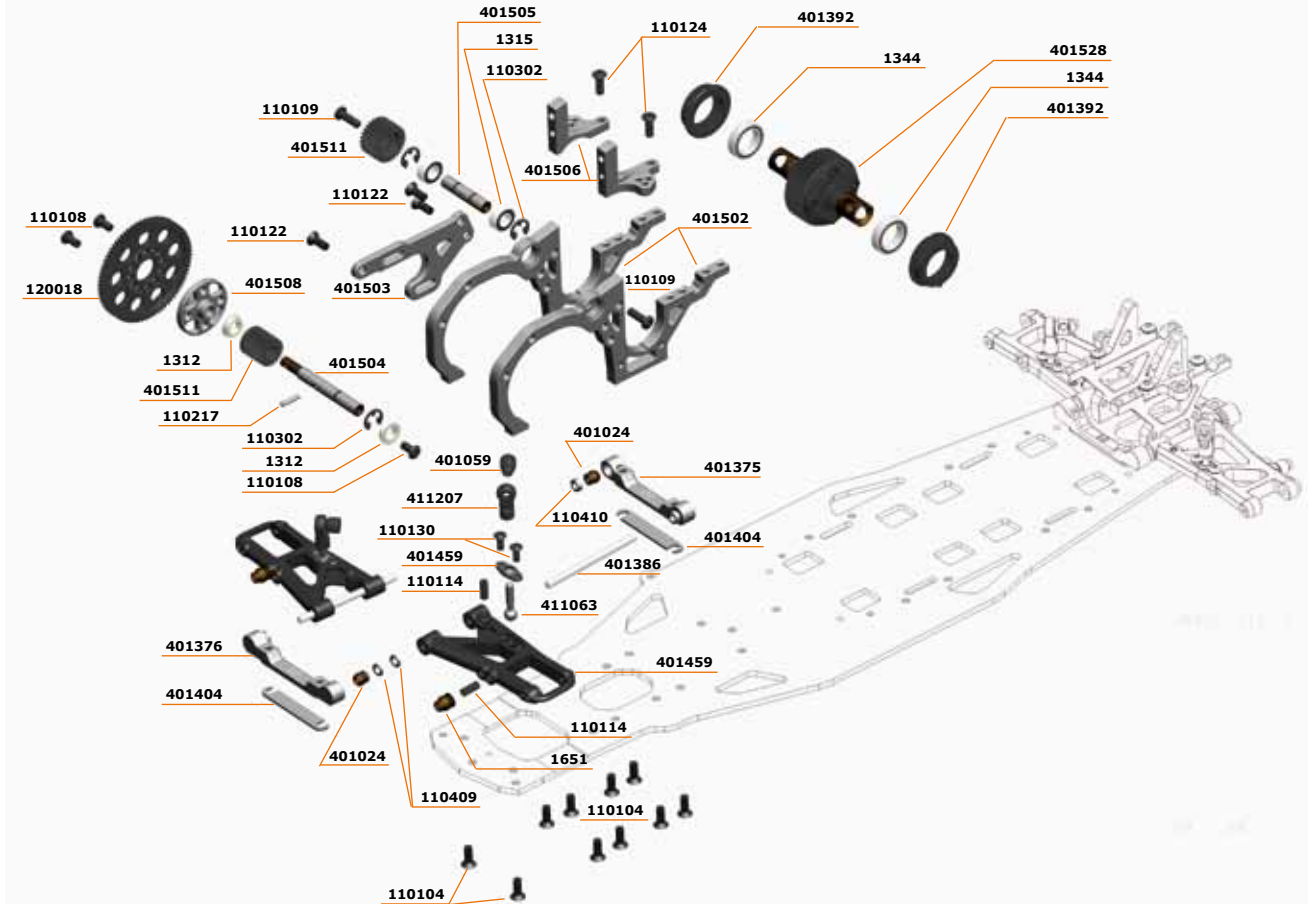




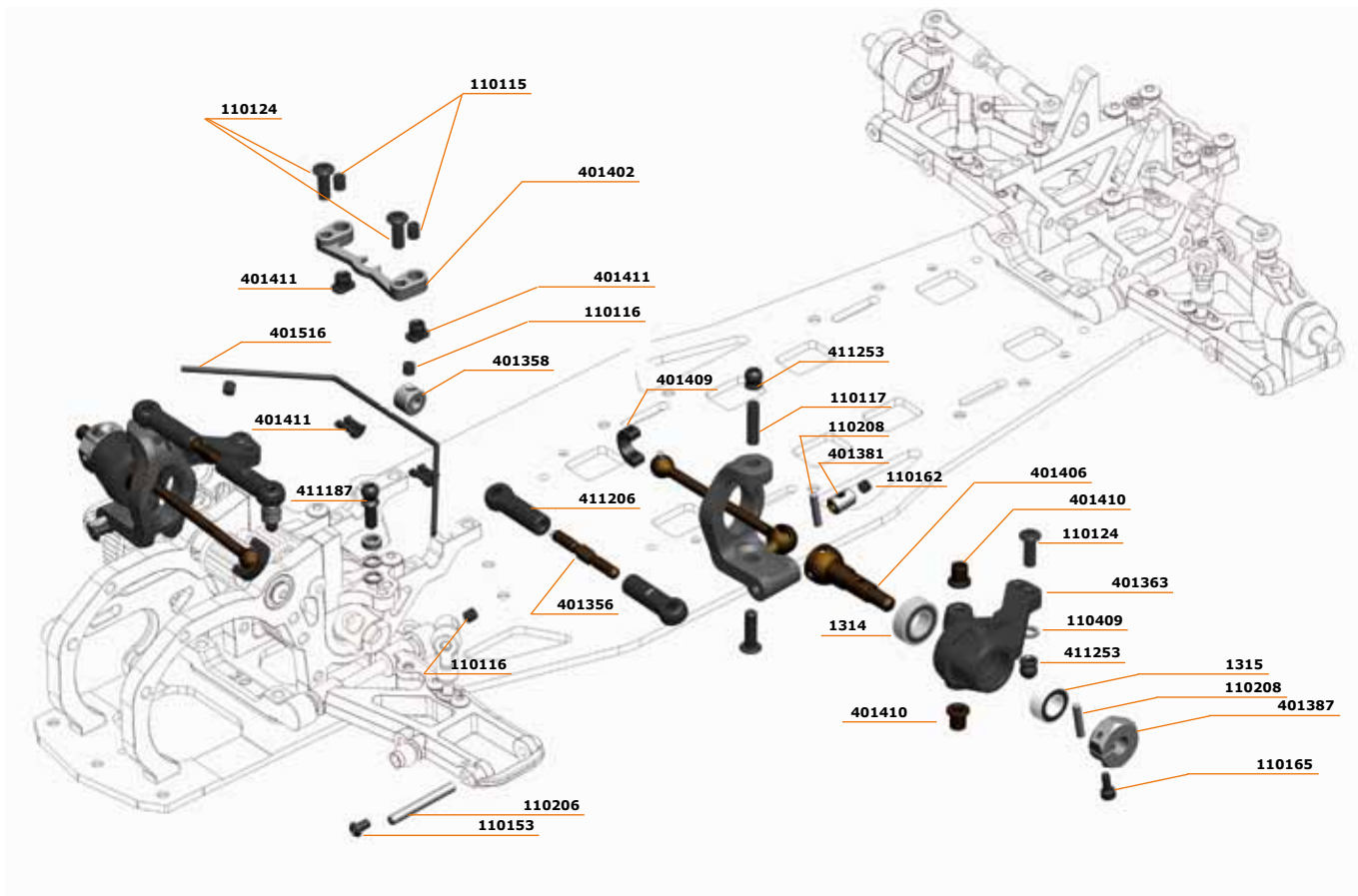
REAR ASSEMBLY

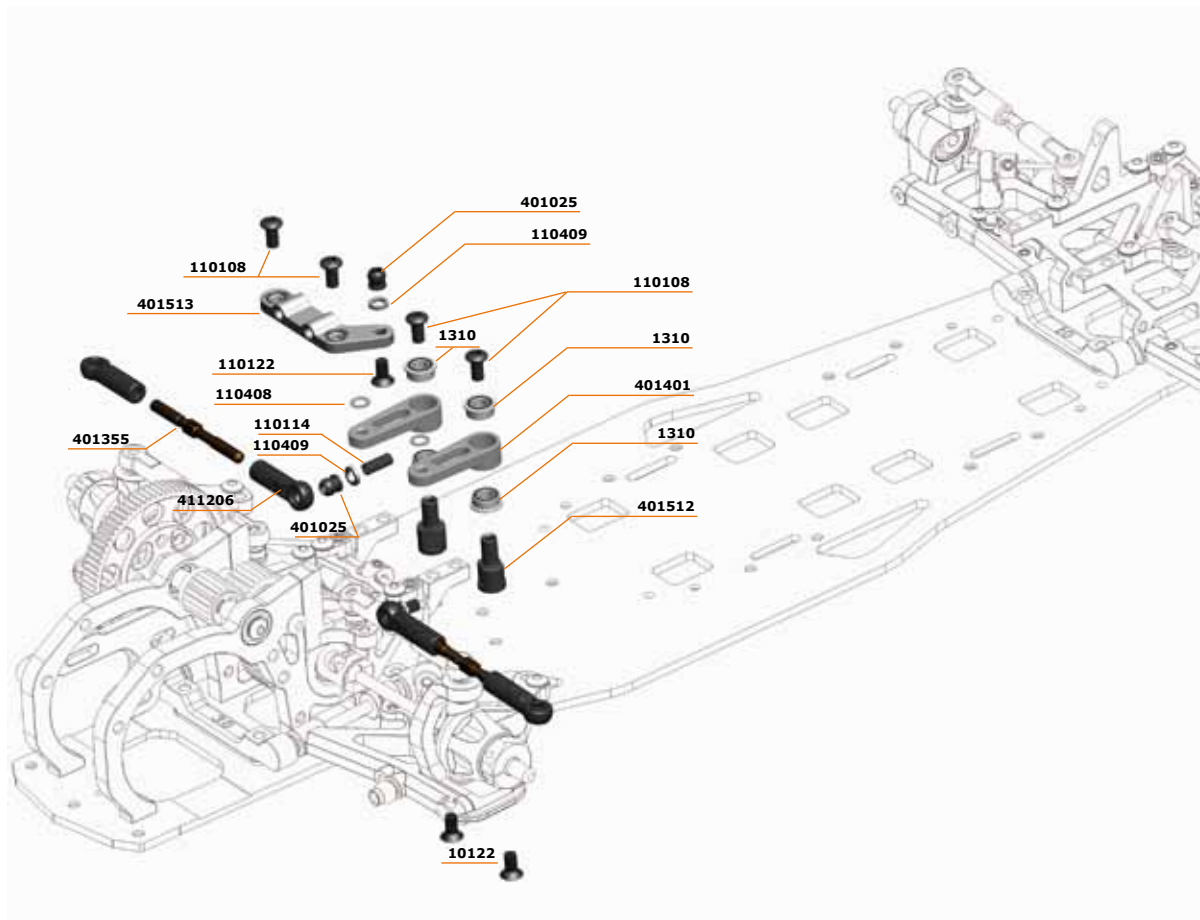




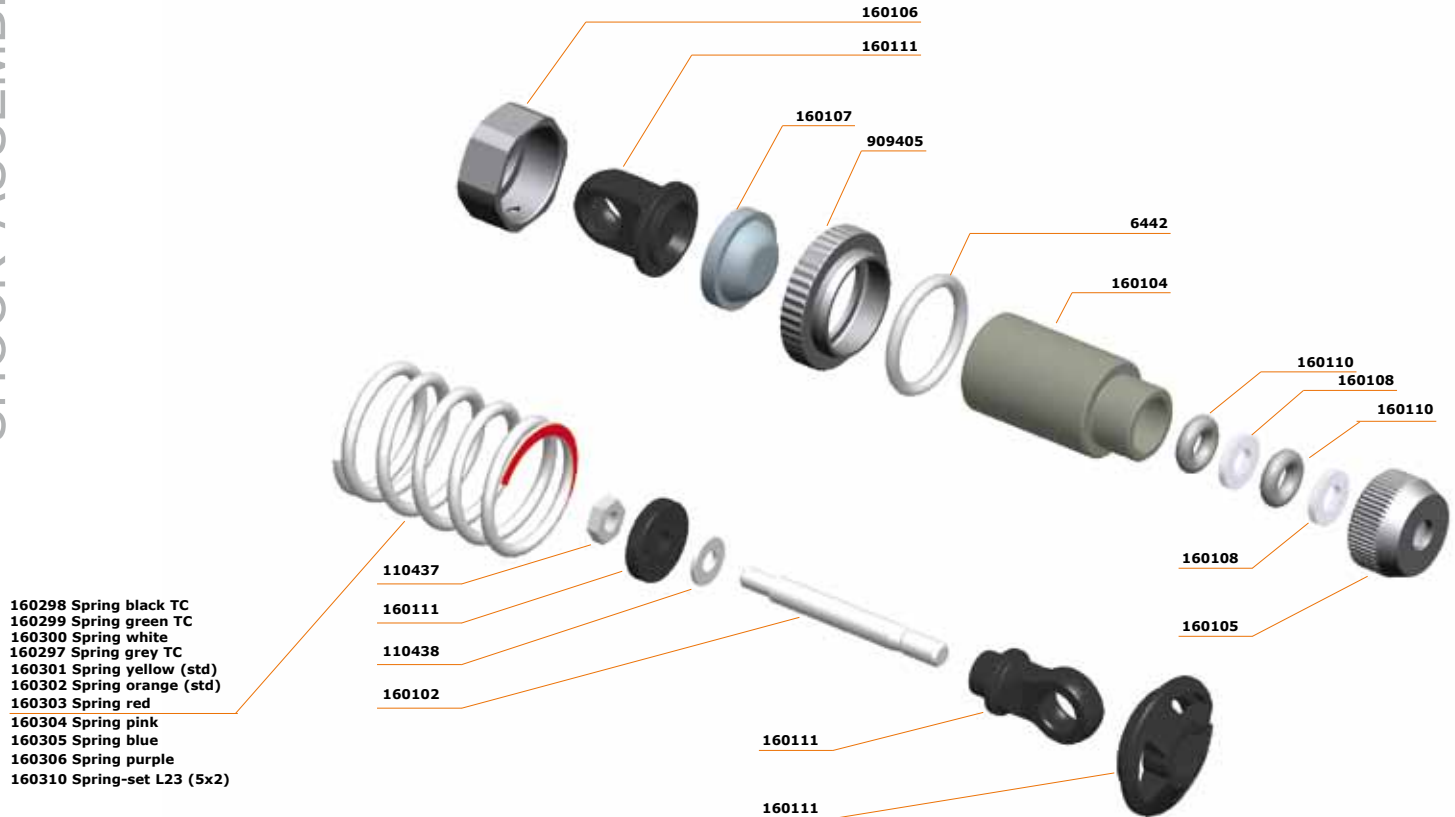


FRONT SUSPENSION ASSEMBLY

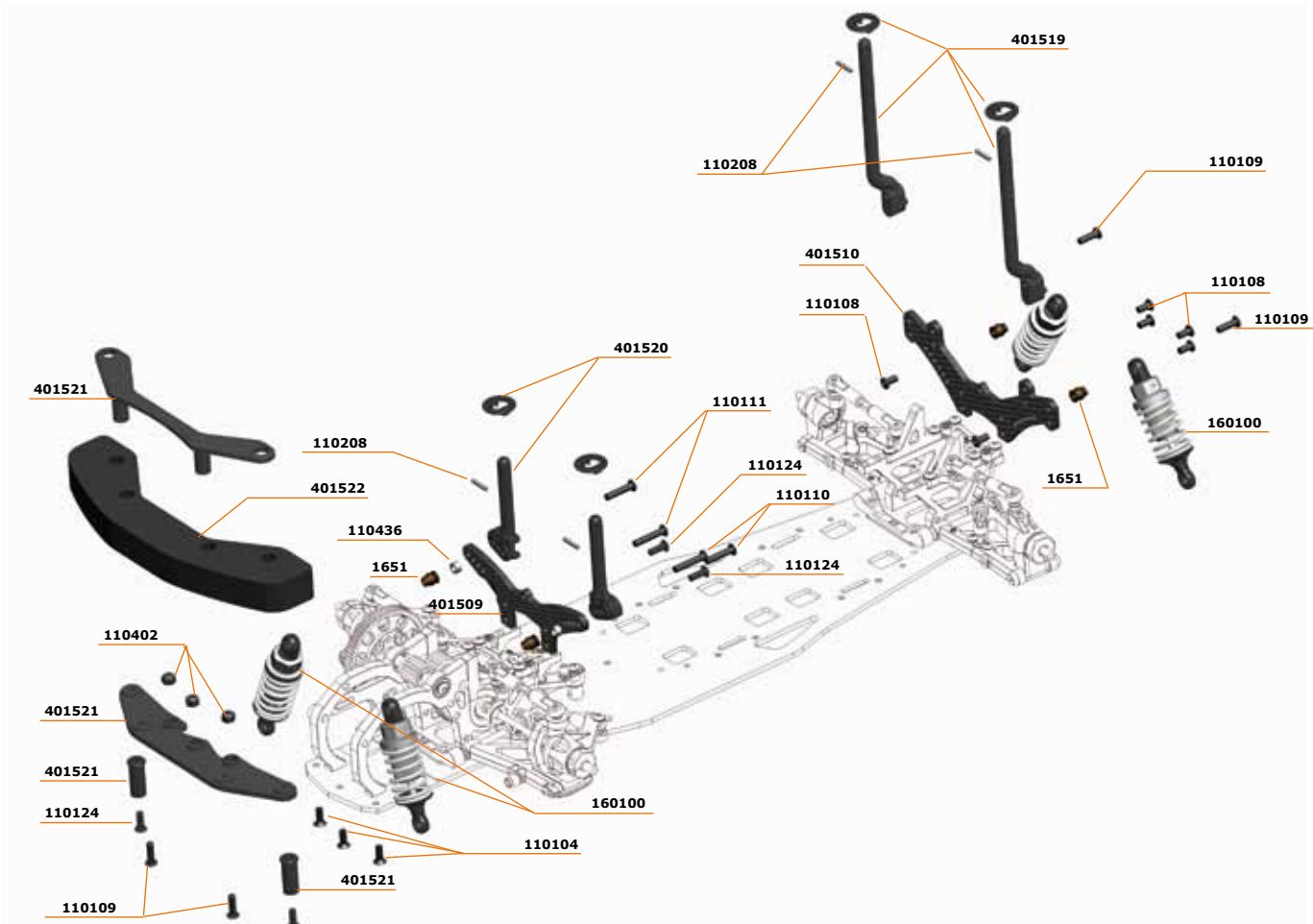




SHOCK ASSEMBLY



160100 Shockset RCM on-road short (2)



SERPENT 411 - FF**Front Section**

1651 Steel balls 5.8mm long (20)
 110409 Shim 3x5x1 (10)
 110410 Shim 3x5x2 (10)
 401024 Ball 5mm (10)
 401059 Antirollbar ball (4)
 401356 Camber link M3x26mm (2)
 401358 Stabi collar (2)
 401363 Steeringblock L+R
 401373 CVD axle set steel (2)
 401375 Suspension bracket alu 0
 401376 Suspension bracket alu 1
 401386 Pivot pin front inner (2)
 401387 Wheelhexagon 1mm offset (2)
 401402 Antirollbar mount alu
 401404 Suspension spacer 1mm (2)
 401409 Blade (16)
 401410 Bushing steeringblock (4)
 401411 Antirollbar bushing (16)
 401459 Wishbone Fr Lw medium (2)
 401462 C-hub 4 L+R medium
 401502 Gear box mount front 411-FF
 401503 Motor mount 411-FF
 401504 Gear shaft 411-FF
 401505 Middle gear shaft 411-FF
 401506 Shock mount front L+R 411-FF
 401508 Spurgear adaptor 411-FF
 401509 Shocktower front carbon 411-FF
 401511 Transmission gear 20T - 27T 411-FF
 401516 Antirollbar 1.4mm fr 411-FF
 401520 Bodypost front 411-FF (2)
 401521 Front bumper set 411-FF
 401522 Foam bumper 411-FF
 401531 Gear box mount rear 411-FF
 411063 Pivot ball threaded upper arm (2)
 411187 Pivotball with shaft (2)

411207 Balljoint 4.5 short (2)
 411253 Pivotball uni 4.5mm (4)

Front Section Optional

401362 C-hub 4 L+R
 401377 Suspension bracket alu 2
 401378 Suspension bracket alu 3
 401397 Wishbone front lower (2)
 401418 Suspension bracket alu 1.5
 401419 Suspension bracket alu 2.5
 401420 Suspension bracket alu 3.5
 401422 Steeringblock alu L+R
 401423 C-hub 2 alu L+R
 401424 C-hub 4 alu L+R
 401425 C-hub 6 alu L+R
 401426 Spacer suspension 0.5mm (2)
 401430 Camberlink alu (2)
 401434 Bushing smaller bearing (4)
 401452 Wishbone Fr Lw hard (2)
 401455 C-hub 4 L+R hard
 401467 Pivot pin front inner TiN (2)
 401515 Antirollbar 1.2mm FR 411-FF
 401517 Antirollbar 1.6mm FR 411-FF
 401518 Antirollbar 1.8mm FR 411-FF

Steering

110409 Shim 3x5x1 (10)
 401025 Pivotball steel 4.5mm (20)
 401355 Trackrod M3x38mm (2)
 401372 Servo-lever (4)
 401401 Steering lever (2)
 401512 Steering shaft 411-FF (2)
 401513 Steeringrack 411-FF
 401524 Servo mount 411-FF (2)
 411206 Balljoint 4.5 (4)

Middle section

401523 Battery mount FR-RR 411-FF
 401525 Topdeck carbon 411-FF

401530 Chassis carbon 411-FF

Middle section Optional

401433 Weight set brass 5gr - 12gr - 20gr (2+1+1)

Rear Section

1651 Ball steel 5.8mm long (20)
 110409 Shim 3x5x1 (10)
 110410 Shim 3x5x2 (10)
 401024 Ball 5mm (10)
 401059 Antirollbar ball (4)
 401356 Camber link M3x26mm (2)
 401358 Stabi collar (2)
 401375 Suspension bracket alu 0
 401378 Suspension bracket alu 3
 401379 Antirollbar 1.4mm
 401386 Pivot pin front inner (2)
 401387 Wheelhexagon 1mm offset (2)
 401402 Antirollbar mount alu
 401404 Suspension spacer 1mm (2)
 401407 Pivot pin rear-outer (2)
 401411 Antirollbar bushing (16)
 401460 Wishbone Rr Lw medium (2)
 401461 Upright medium (2)
 401507 Shock mount rear L+R 411-FF
 401510 Shocktower rear carbon 411-FF
 401514 Wheelaxle rear 411-FF (2)
 401519 Bodypost rear 411-FF (2)
 411063 Pivot ball threaded upper arm (2)
 411187 Pivotball with shaft (2)
 411207 Balljoint 4.5 short (2)
 411253 Pivotball uni 4.5mm (4)

Rear section Optional

401376 Suspension bracket alu 1
 401377 Suspension bracket alu 2
 401393 Wishbone rear lower (2)
 401396 Upright (2)
 401415 Antirollbar 1.2mm
 401416 Antirollbar 1.6mm

401417 Antirollbar 1.8mm
 401418 Suspension bracket alu 1.5
 401419 Suspension bracket alu 2.5
 401420 Suspension bracket alu 3.5
 401421 Upright alu (2)
 401426 Spacer suspension 0.5mm (2)
 401430 Camberlink alu (2)
 401434 Bushing smaller bearing (4)
 401453 Wishbone RR Lw hard (2)
 401454 Upright hard (2)
 401468 Pivot pin rear inner TiN (2)

Transmission

401392 Bearing excenter (4)
 401414 Geardiff outdrive (2)
 401511 Transmission gear 20T - 27T 411-FF
 401526 Geardiff revision set V2
 401527 Diff gear 10T + diff axle for geardiff (2+1) V2
 401528 Geardiff 411-FF
 401529 Geardiff housing 411-FF
 804176 Geardiff x-ring (4)

Shocks

160100 Shockset RCM on-road short (2)
 160102 Shock RCM shaft short (2)
 160104 Shock RCM body alu (2)
 160105 Shock RCM bottom (2)
 160106 Shock RCM top nut (2)
 160107 Shock RCM membrane (4)
 160108 Shock RCM bushings (8)
 160110 Shock RCM bottom O-ring (8)
 160111 Shock RCM parts frame nylon short (14)
 909405 Shock RCM adj nut alu + O-ring (4)

Optional

160109 Shock bushing RCM machined (8)

Shock springs

160301 Spring yellow L23 (2.8/16) (2)

160302 Spring orange L23 (3.4/19.5) (2)

Shock springs Optional

160297 Spring grey short (2.6/14.8) TC (2)
 160298 Spring black short (2.9/16.5) TC (2)
 160299 Spring green short (3.5/19.9) TC (2)
 160300 Spring white L23 (2.3/13) (2)
 160303 Spring red L23 (4.1/23.5) (2)
 160304 Spring pink L23 (4.0/28) (2)

Bearings

1314 Ballbearing 6x12 (2)
 1315 Ballbearing 5x10x4 (2)
 1316 Ballbearing 5x9 (2)
 1320 Ballbearing 6x10 flanged (2)
 1321 Ballbearing 6x10x3 (2)
 1326 Ballbearing 7x14
 1337 Ballbearing 15x21x4 (2)
 1338 Ballbearing 5x8x2.5 (2)
 1340 Ball-bearing 5x13 hs (2)
 1342 Ball-bearing 6x13 hs (2)
 1343 Ball-bearing 6x15 hs (2)
 1344 Ball-bearing 10x15x4 hs (2)
 1345 Ball-bearing 10x19 hs (2)
 1346 Ball-bearing 12x18 hs (2)
 1347 Ball-bearing 12x21 hs (2)
 1348 Ball-bearing 15x24 hs (2)
 1349 Ball-bearing 8x14x4 (2)
 1361 Ballbearing 10x19 blue (2)
 1371 Thrust bearing 7x15
 1372 Thrust bearing 4x9
 1373 Thrust bearing 6x14
 1375 Thrust bearing 7x13x4.5mm
 1377 Thrust-bearing 5x10 centax
 1378 Balls ceramic coated 4mm (12)
 1388 Thrust-bearing 5x10 ceramic
 1393 Ballbearing 13x19x4 SS (2)
 1394 Ballbearing 8x14x4 flanged SS (2)
 1395 Ballbearing 8x19x6 SS (2)

1396 Ballbearing 8x16x5 SS (2)
 1397 Ball bearing 8x12x3.5 SS (2)

Spurgears / pinions

120005 Spur gear 64P / 92T
 120006 Spur gear 64P / 96T
 120007 Spur gear 64P / 100T
 120008 Spur gear 64P / 104T
 120009 Spur gear 64P / 108T
 120010 Spur gear 64P / 112T
 120011 Spur gear 64P / 116T
 120012 Spur gear 64P / 114T
 120015 Spur gear 48P / 69T
 120016 Spur gear 48P / 72T
 120017 Spur gear 48P / 75T
 120018 Spur gear 48P / 78T
 120019 Spur gear 48P / 81T
 120020 Spur gear 48P / 84T
 120021 Spur gear 48P / 87T
 120022 Spur gear 48P / 86T
 120105 Motor-pinion alu hard 64P / 18T
 120106 Motor-pinion alu hard 64P / 19T
 120107 Motor-pinion alu hard 64P / 20T
 120108 Motor-pinion alu hard 64P / 21T
 120109 Motor-pinion alu hard 64P / 22T
 120110 Motor-pinion alu hard 64P / 23T
 120111 Motor-pinion alu hard 64P / 24T
 120112 Motor-pinion alu hard 64P / 25T
 120113 Motor-pinion alu hard 64P / 26T
 120114 Motor-pinion alu hard 64P / 27T
 120115 Motor-pinion alu hard 64P / 28T
 120116 Motor-pinion alu hard 64P / 29T
 120117 Motor-pinion alu hard 64P / 30T
 120118 Motor-pinion alu hard 64P / 31T
 120119 Motor-pinion alu hard 64P / 32T
 120120 Motor-pinion alu hard 64P / 33T
 120121 Motor-pinion alu hard 64P / 34T
 120122 Motor-pinion alu hard 64P / 35T

120123	Motor-pinion alu hard 64P / 36T	120171	Motor-pinion alu hard 48P / 33T	110125	Screw allen countersunk m3x20 (10)
120124	Motor-pinion alu hard 64P / 37T	120172	Motor-pinion alu hard 48P / 34T	110126	Screw allen countersunk m2.5x12 (10)
120125	Motor-pinion alu hard 64P / 38T	120173	Motor-pinion alu hard 48P / 35T	110127	Screw allen countersunk m3x12 (10)
120126	Motor-pinion alu hard 64P / 39T	120174	Motor-pinion alu hard 48P / 36T	110128	Screw allen roundhead m3x5 (10)
120127	Motor-pinion alu hard 64P / 40T	120175	Motor-pinion alu hard 48P / 37T	110129	Screw allen cilinderhead m3x10 (10)
120128	Motor-pinion alu hard 64P / 41T	120176	Motor-pinion alu hard 48P / 38T	110130	Screw allen roundhead m2.5x6 (10)
120129	Motor-pinion alu hard 64P / 42T	120177	Motor-pinion alu hard 48P / 39T	110131	Screw allen roundhead m2.5x10 (10)
120130	Motor-pinion alu hard 64P / 43T	120178	Motor-pinion alu hard 48P / 40T	110132	Screw allen countersunk m3x16 (10)
120131	Motor-pinion alu hard 64P / 44T	120179	Motor-pinion alu hard 48P / 61T	110133	Screw philipshead countersunk 2.5x8 wide(10)
120132	Motor-pinion alu hard 64P / 45T	120180	Motor-pinion alu hard 48P / 62T	110134	Screw philipshead countersunk 2.5x10 wide(10)
120133	Motor-pinion alu hard 64P / 46T	120181	Motor-pinion alu hard 48P / 63T	110135	Screw allen countersunk M2.5x10 (10)
120134	Motor-pinion alu hard 64P / 47T			110136	Screw allen countersunk M2.5x8 (10)
120135	Motor-pinion alu hard 64P / 48T	Fastners		110137	Setscrew allen M3x6 (10)
120136	Motor-pinion alu hard 64P / 49T	110100	Screw allen countersunk m3x10 (10)	110138	Screw allen countersunk M4x14 (10)
120137	Motor-pinion alu hard 64P / 50T	110101	Screw allen countersunk m4x8 (10)	110139	Screw allen countersunk M3x40 (10)
120138	Motor-pinion alu hard 64P / 51T	110102	Screw allen countersunk m4x10 (10)	110140	Screw allen roundhead M3x20 (10)
120139	Motor-pinion alu hard 64P / 52T	110103	Screw allen countersunk m4x16 (10)	110141	Screw allen roundhead M3x22 (10)
120150	Motor-pinion alu hard 48P / 12T	110104	Screw allen countersunk M3x8 (10)	110142	Screw allen roundhead M3x25 (10)
120151	Motor-pinion alu hard 48P / 13T	110105	Screw allen countersunk m4x12 (10)	110143	Screw allen roundhead M4x18 (10)
120152	Motor-pinion alu hard 48P / 14T	110106	Screw allen flanged roundhead m5x12(10)	110144	Screw allen roundhead M3x18 (10)
120153	Motor-pinion alu hard 48P / 15T	110107	Screw allen cilinderhead m3x16 (10)	110145	Screw allen roundhead flanged M3x12 (10)
120154	Motor-pinion alu hard 48P / 16T	110108	Screw allen roundhead m3x6 (10)	110146	Screw allen roundhead flanged M3x16 (10)
120155	Motor-pinion alu hard 48P / 17T	110109	Screw allen roundhead m3x10 (10)	110147	Screw ph roundhead widethread 2.5x5 (10)
120156	Motor-pinion alu hard 48P / 18T	110110	Screw allen roundhead m3x16 (10)	110148	Setscrew allen M5x4 (10)
120157	Motor-pinion alu hard 48P / 19T	110111	Screw allen roundhead m3x14 (10)	110149	Screw allen countersink M2x10 (10)
120158	Motor-pinion alu hard 48P / 20T	110112	Screw allen roundhead m3x12 (10)	110150	Screw M6x12 nylon black (2)
120159	Motor-pinion alu hard 48P / 21T	110113	Screw allen roundhead m4x8 (10)	110151	Screw allen cilinderhead M4x10 (10)
120160	Motor-pinion alu hard 48P / 22T	110114	Setscrew allen m3x8 (10)	110152	Screw allen cilinderhead M3x8 (10)
120161	Motor-pinion alu hard 48P / 23T	110115	Setscrew allen m3x4 (10)	110153	Screw allen roundhead M2.3x6 (10)
120162	Motor-pinion alu hard 48P / 24T	110116	Setscrew allen m3x3 (10)	110154	Setscrew allen M3x10 (10)
120163	Motor-pinion alu hard 48P / 25T	110117	Setscrew allen m3x12 (10)	110155	Setscrew allen M3x5 (10)
120164	Motor-pinion alu hard 48P / 26T	110118	Setscrew allen m4x4 (10)	110156	Screw allen countersunk M2.2x6 (10)
120165	Motor-pinion alu hard 48P / 27T	110119	Setscrew allen m4x6 (10)	110157	Screw allen countersunk M3x5 (10)
120166	Motor-pinion alu hard 48P / 28T	110120	Setscrew allen m4x10 (10)	110158	Screw allen countersunk M3x15 (10)
120167	Motor-pinion alu hard 48P / 29T	110121	Setscrew allen m5x6 (10)	110159	Screw allen countersunk M3x18 (10)
120168	Motor-pinion alu hard 48P / 30T	110122	Screw allen countersunk m3x6 (10)	110160	Screw allen cilinderhead M2.2x12 (10)
120169	Motor-pinion alu hard 48P / 31T	110123	Screw philips roundhead 3.5x13 (10)	110161	Screw allen cilinderhead M2x6 (10)
120170	Motor-pinion alu hard 48P / 32T	110124	Screw allen countersunk m3x8 (10)	110162	Setscrew allen M3x2.5 (10)

110163 Setscrew allen M3x2 (10)
110164 Screw allen roundhead M3x4 (10)
110165 Screw allen cilinderhead M2x5 (10)
110166 Screw allen countersunk M2.5x5 (10)
110200 Pin 2.5x8 (10)
110201 Pin 3x12 (10)
110202 Pin 5x5 (10)
110203 Pin 3x14 (10)
110204 Pin 3x20 (10)
110205 Pin 3x22 (10)
110206 Pin 2.5x22 (10)
110207 Pin 2.5x12 (10)
110208 Pin nra 2x9.8 (4)
110209 Pin nra 2x18 (4)
110210 Pin 3x13 (10)
110211 Pin 2.5x13 (10)
110212 Pin 2.5x17 (10)
110213 Pin 2.5x10 (10)
110214 Pin 3x15 (10)
110215 Pin 2x12 (10)
110216 Pin 2.5x15 (10)
110217 Pin 2x9 (10)
110300 E-clip 2.3 (10)
110301 E-clip 3.2 (10)
110302 E-clip 4.0 (10)
110303 E-clip 5.0 (10)
110304 E-clip 7.0 (10)
110305 Seger clip 12x1.0 (10)
110306 E-clip 6.0 (10)
110400 Shim 6.0x10x0.2 (10)
110401 Shim 3.2x7x0.5 (10)
110402 Nut nylock M3 (10)
110403 Nut nylock M4 (10)
110404 Shim 6x8x0.3 (10)
110405 Nut nylock M4 flanged (10)
110406 Nut nylock M2.2 (10)
110407 Nut M3 (10)
110408 Shim 3x5x0.3 (10)

110409 Shim 3x5x1 (10)
110410 Shim 3x5x2 (10)
110411 Shim 3x5x4 (10)
110412 Shim 3.5x8x1 (10)
110413 Shim 3.5x12x0.2 (10)
110414 Shim 3x6x0.1 (10)
110415 Shim 3x6x0.5 (10)
110416 Shim 3x6x0.8 (10)
110417 Shim 3x6x3 (10)
110418 Shim 4x8x0.1 (10)
110419 Shim 4x9.5x1 (10)
110420 Shim 4x9.5x2(10)
110421 Shim 4x9.5x4(10)
110422 Shim 4x10x0.3 (10)
110423 Shim 5x8x0.1 (10)
110424 Shim 5x8x0.3 (10)
110425 Shim 5x10x0.3 (10)
110426 Shim 5x10x0.5 (10)
110427 Shim 5x15x0.3 (10)
110428 Shim 6.5x8x0.25 (10)
110429 Shim 6x11.75x0.2 (10)
110430 Shim 6x12x0.5 (10)
110431 Shim 8x11x0.1 (10)
110432 Shim 8x11x0.2 (10)
110433 Shim 12x15x0.25 (10)
110434 Shim 12x18x0.3 (10)
110435 Shim 13x16x0.2 (10)
110436 Shim 3x5x3 (10)
110437 Nut M2.5 (10)

MERCHANDISING

1891 Serpent medium promo decal 20x12.5 (2)
1893 Serpent decal xL (30x60cm)
1998 Cap serpent black-orange
1869 Pit-towel serpent orange 140x60cm
1872 Rucksack serpent (35x45cm) black
1873 Rucksack serpent (48x61cm) black
1883 Banner Serpent S-logo 200x100 nylon

190110 Sweater hooded serpent black (s)
190111 Sweater hooded serpent black (m)
190112 Sweater hooded serpent black (l)
190113 Sweater hooded serpent black (xl)
190114 Sweater hooded serpent black (xxl)
190116 T-shirt lady black Serpent (S)
190117 T-shirt lady black Serpent (M)
190118 T-shirt lady black Serpent (L)
190119 T-shirt lady black Serpent (xL)
190121 T-shirt Serpent LTS white (S)
190122 T-shirt Serpent LTS white (M)
190123 T-shirt Serpent LTS white (L)
190124 T-shirt Serpent LTS white (xL)
190125 T-shirt Serpent LTS white (xxL)
190127 T-shirt Serpent DTR orange (S)
190128 T-shirt Serpent DTR orange (M)
190129 T-shirt Serpent DTR orange (L)
190130 T-shirt Serpent DTR orange (xL)
190131 T-shirt Serpent DTR orange (xxL)
190132 T-shirt Serpent DTR black (S)
190133 T-shirt Serpent DTR black (M)
190134 T-shirt Serpent DTR black (L)
190135 T-shirt Serpent DTR black (xL)
190136 T-shirt Serpent DTR black (xxL)
190167 T-shirt Serpent LTS black (S)
190168 T-shirt Serpent LTS black (M)
190169 T-shirt Serpent LTS black (L)
190170 T-shirt Serpent LTS black (xL)
190171 T-shirt Serpent LTS black (xxL)
190177 T-shirt Serpent LTS orange (S)
190178 T-shirt Serpent LTS orange (M)
190179 T-shirt Serpent LTS orange (L)
190180 T-shirt Serpent LTS orange (xL)
190181 T-shirt Serpent LTS orange (xxL)
190150 Dress shirt Serpent black-orange (S)
190151 Dress shirt Serpent black-orange (M)
190152 Dress shirt Serpent black-orange (L)
190153 Dress shirt Serpent black-orange (xL)

- 190154 Dress shirt Serpent black-orange (xxL)
- 190155 Dress shirt Serpent black-orange (xxxL)
- 190156 Polo shirt Serpent black-orange (S)
- 190157 Polo shirt Serpent black-orange (M)
- 190158 Polo shirt Serpent black-orange (L)
- 190159 Polo shirt Serpent black-orange (xL)
- 190160 Polo shirt Serpent black-orange (xxL)
- 190161 Polo shirt Serpent black-orange (xxxL)
- 190172 Winter jacket Serpent (S)
- 190173 Winter jacket Serpent (M)
- 190174 Winter jacket Serpent (L)
- 190175 Winter jacket Serpent (xL)
- 190176 Winter jacket Serpent (xxL)

All rights reserved.

Parts may change without prior notice.



NEWS / NOTES



SERPENT

www.serpent.com - info@serpent.com



© Serpent #1-2012