

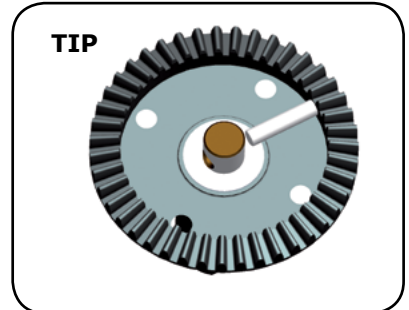
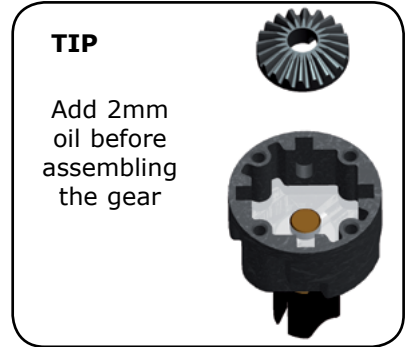
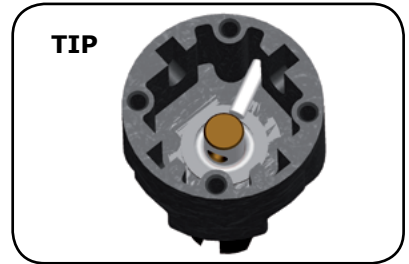
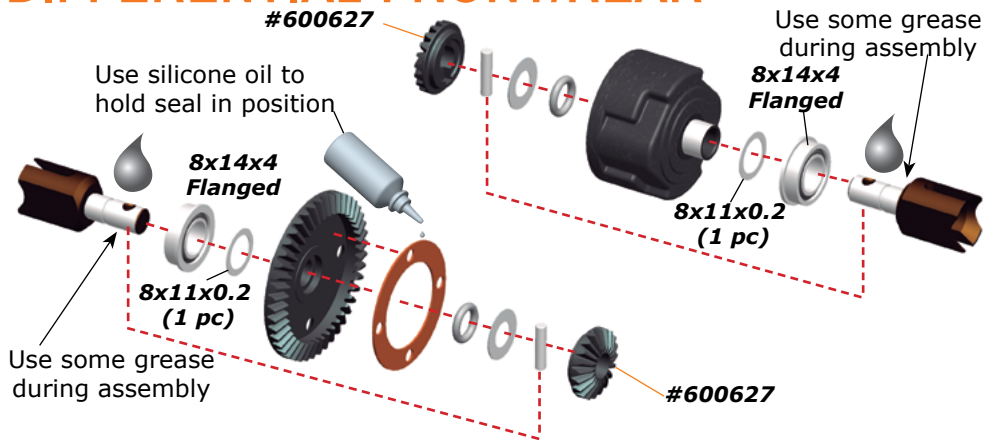
Serpent Cobra GT and GT-e 2.0 update manual

Updated rear-end and gear-diffs

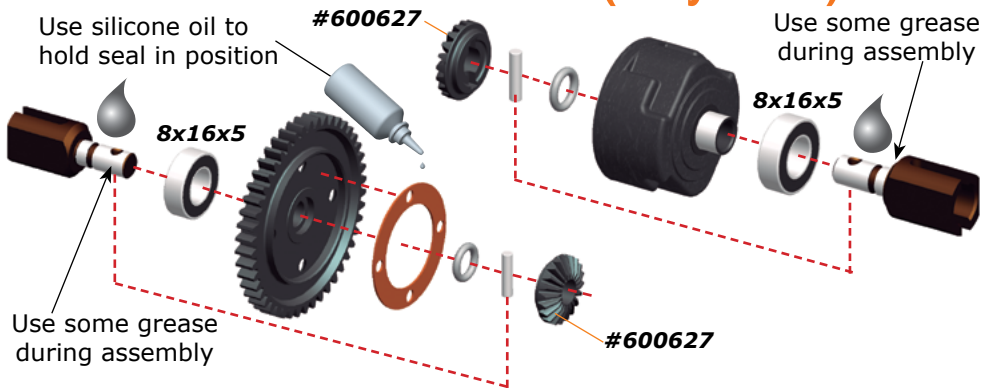
The rear shock absorbers moved from the inside to the outside of the shock tower, and new version gears are used in the gear diffs. The steps in this update manual show the differences with the original manual.

Team Serpent

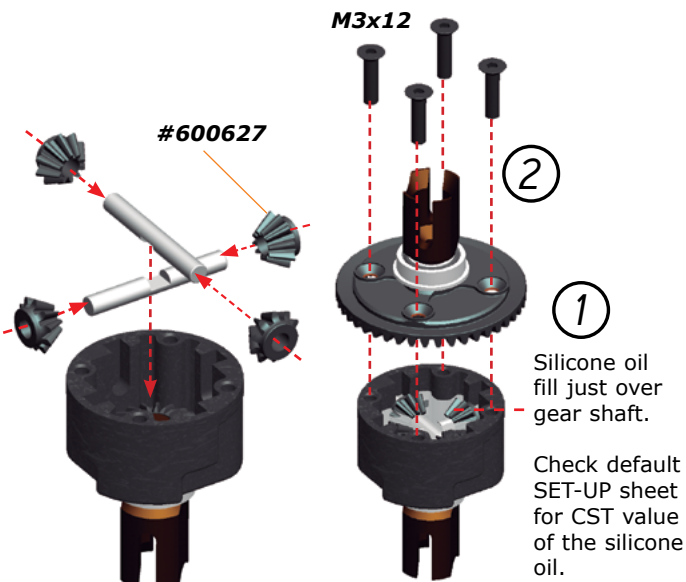
DIFFERENTIAL FRONT/REAR



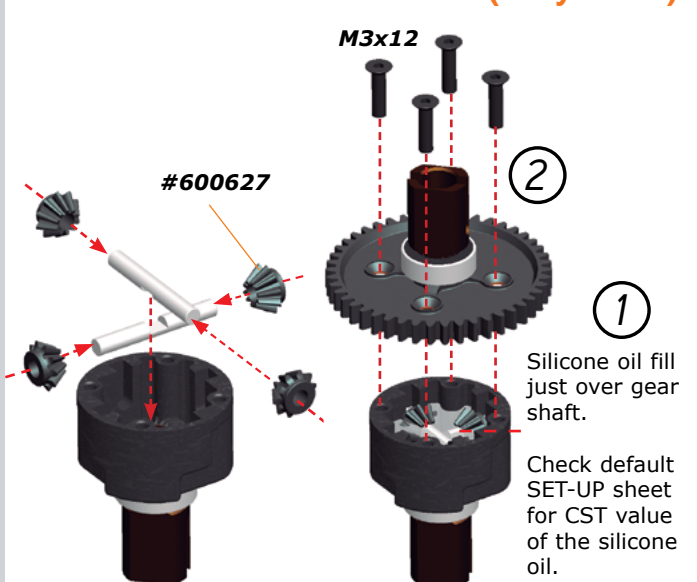
DIFFERENTIAL CENTER (only GTe)

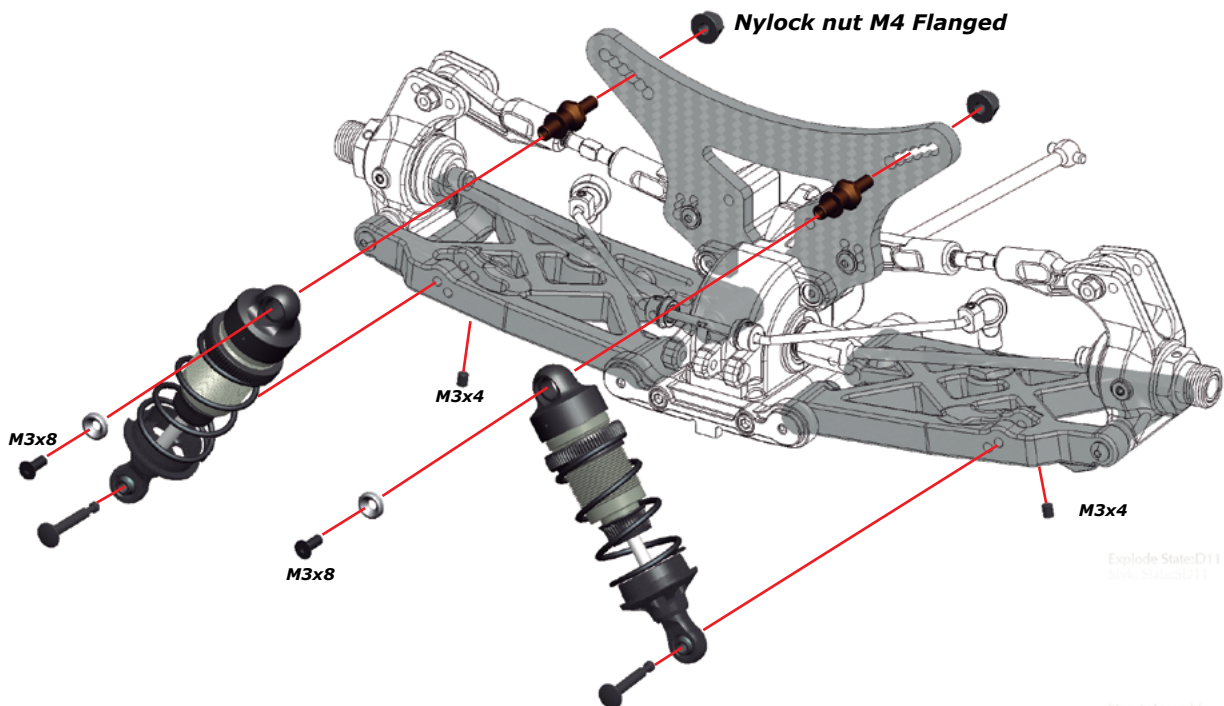
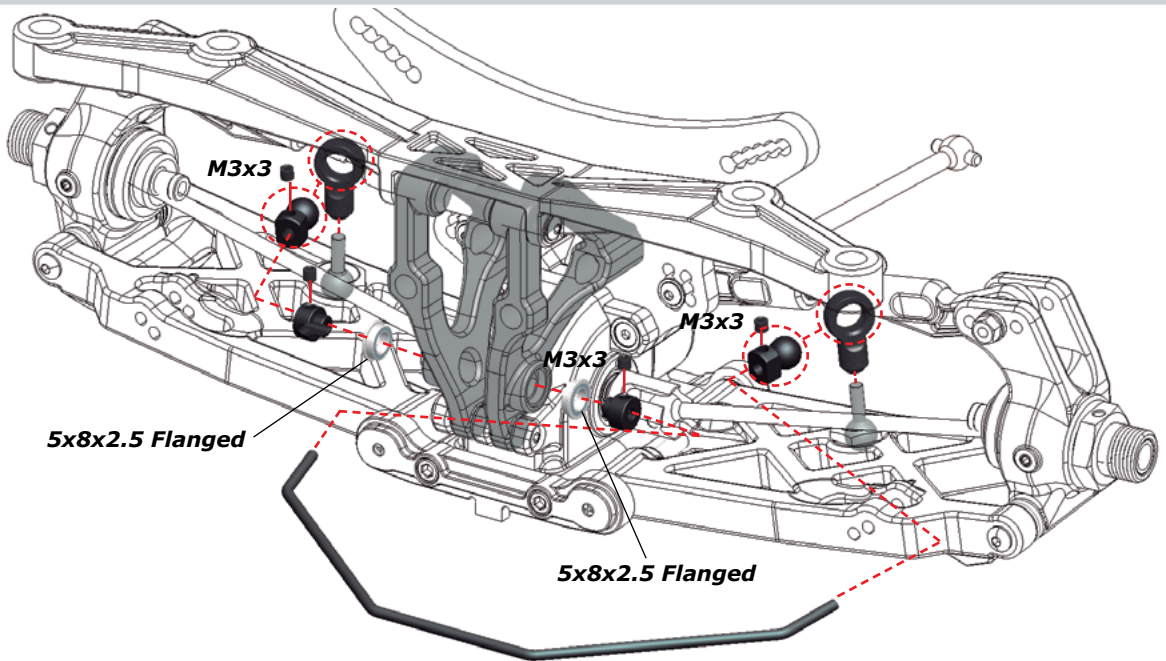
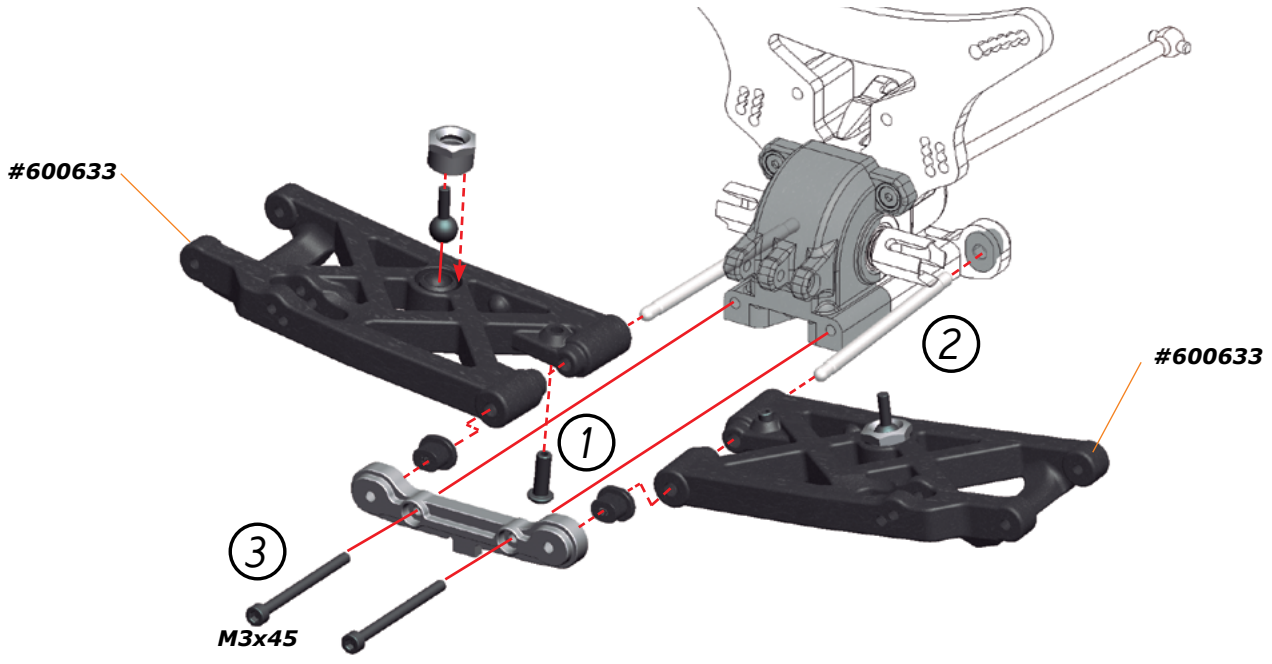


DIFFERENTIAL FRONT / REAR



DIFFERENTIAL CENTER (only GTe)





Explode State:D11
15/03/2011

Step to Assemble