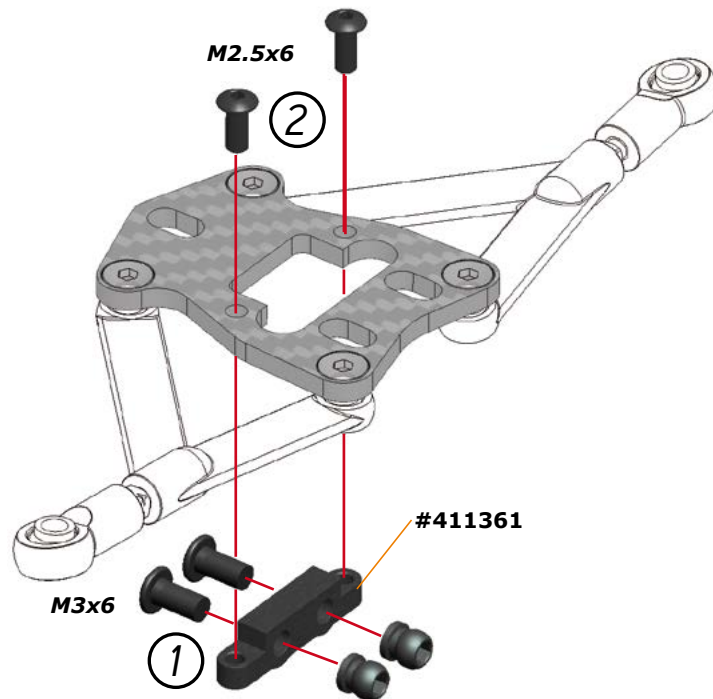


Front tube mount (3) F110 SF2 # 411359

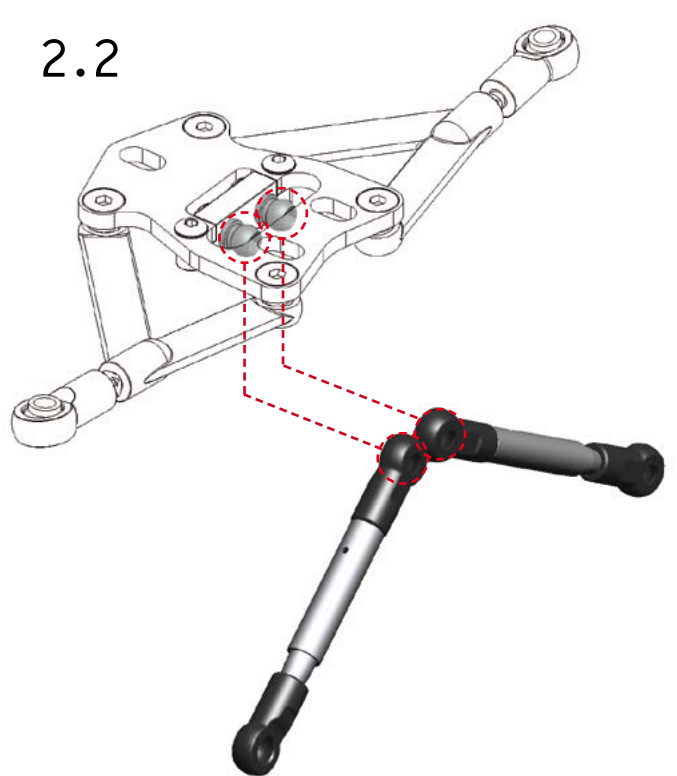
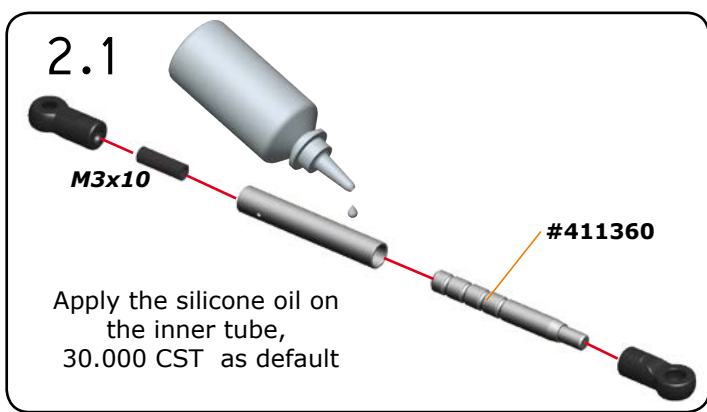
Serpent introduces for the F110-SF2 1/10 scale F1 car , this front tube set. The tubes help to further tune the front end of the F110- car. The parts can be bolted to the standard front end of the F110. The pivotballs needed are already supplied in the std kit. The spares are available separate as well.

Enjoy racing!
Team Serpent

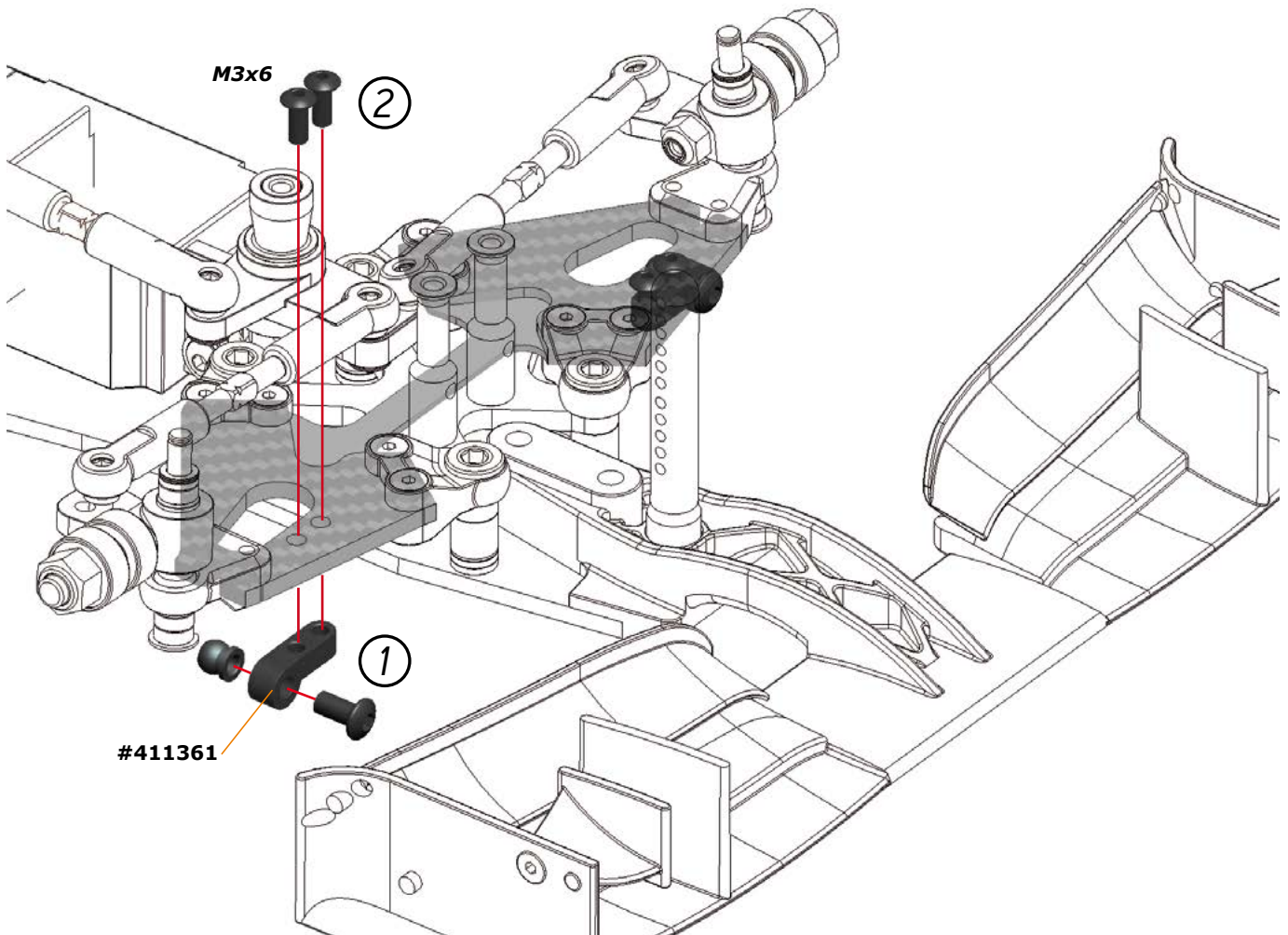
STEP
1



STEP
2



STEP
3



STEP
4

