

SERPENT *seven20* 720

1/10TH SCALE 4WD COMPETITION CAR



REFERENCE GUIDE

SERPENT 720

INTRODUCTION

PARTS LIST & EXPLODED VIEWS

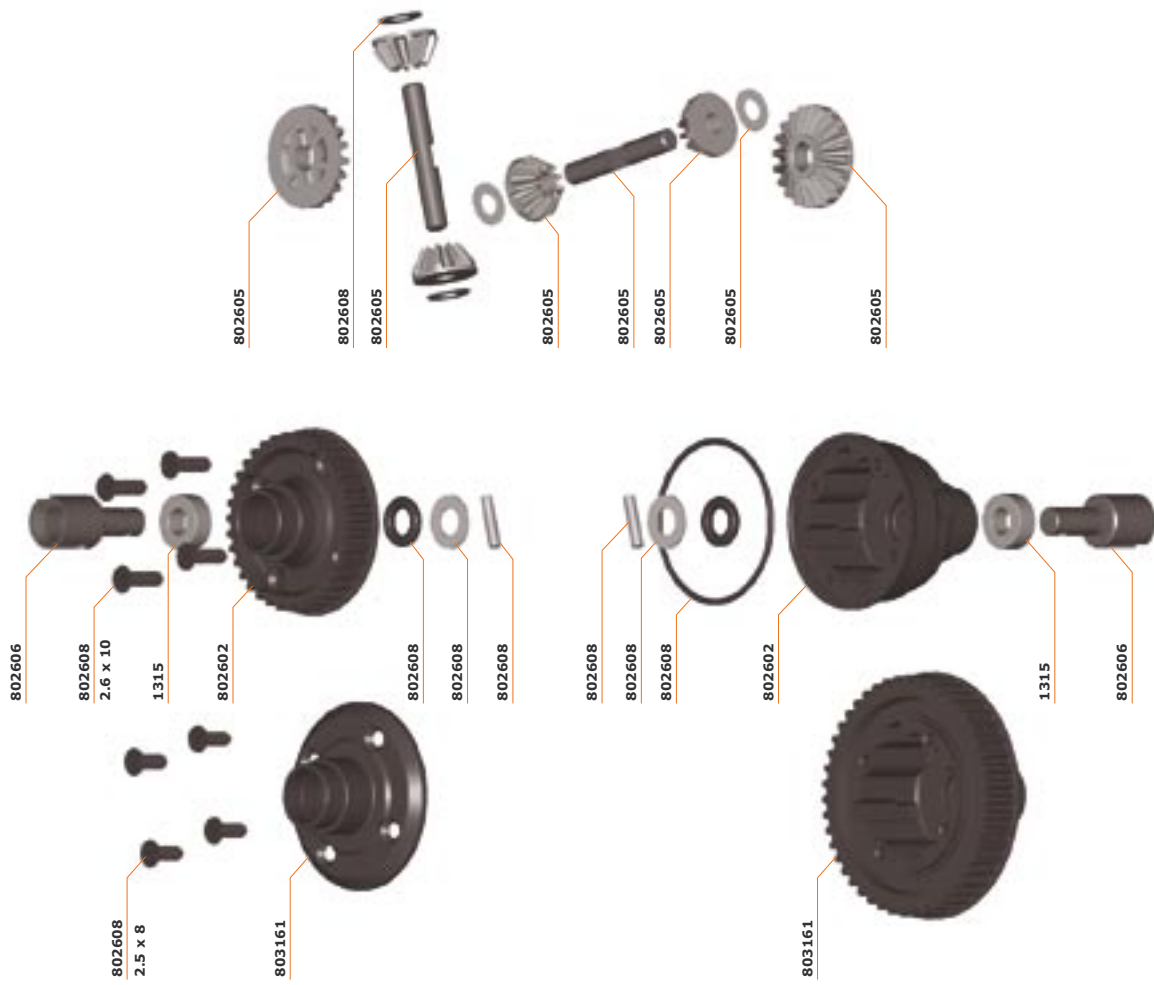
The parts list and the exploded views for the Serpent 720 are separate from the Instruction Manual. The exploded views show all the parts for a particular assembly step, together with the Serpent part number. In the parts list at the back of this Reference Guide you will find the part number and the name of the part. In addition to all the Serpent 720 parts used in this car kit, you will also find lists of option parts for the Serpent 720, as well as a general items (such as fasteners) and promotional items.

Serpent will regularly update the Serpent 720 parts list and will make it available on the Serpent 720 product page at Serpent.com. Be sure to check the Serpent 720 product page at Serpent.com frequently. All information about the 720 can be found here: publications, news items, set-ups, FAQ's, images, downloads and videos. Serpent.com provides you with an enormous amount of interesting and often valuable information about the Serpent 720; information is provided by Serpent, its factory and team drivers, and experienced racers from around the world. If you haven't visited Serpent.com yet, go today and experience why Serpent excels not only on the track, but also on the Internet.

CONTENTS

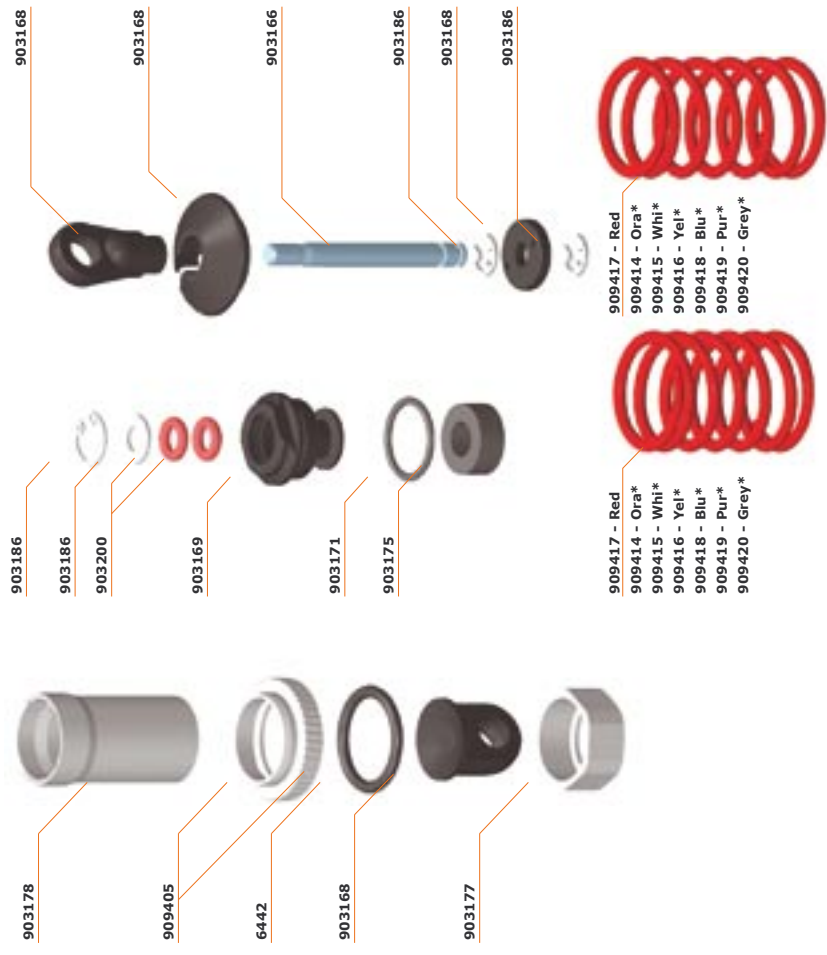
1.0	SHOCK ABSORBERS	3
2.0	DIFFERENTIAL	3
3.0	FRONT ASSEMBLY	4
4.0	REAR ASSEMBLY	5
5.0	RADIO PLATE ASSEMBLY	6
6.0	RADIO PLATE MOUNTING	7
7.0	GEARBOX ASSEMBLY	7
8.0	SHOCK MOUNTING	8
9.0	CENTAX ASSEMBLY	8
10.0	FINAL ASSEMBLY	9

DIFFERENTIAL



#802601 - Complete Front Gear Differential
#803160 - Complete Rear Gear Differential

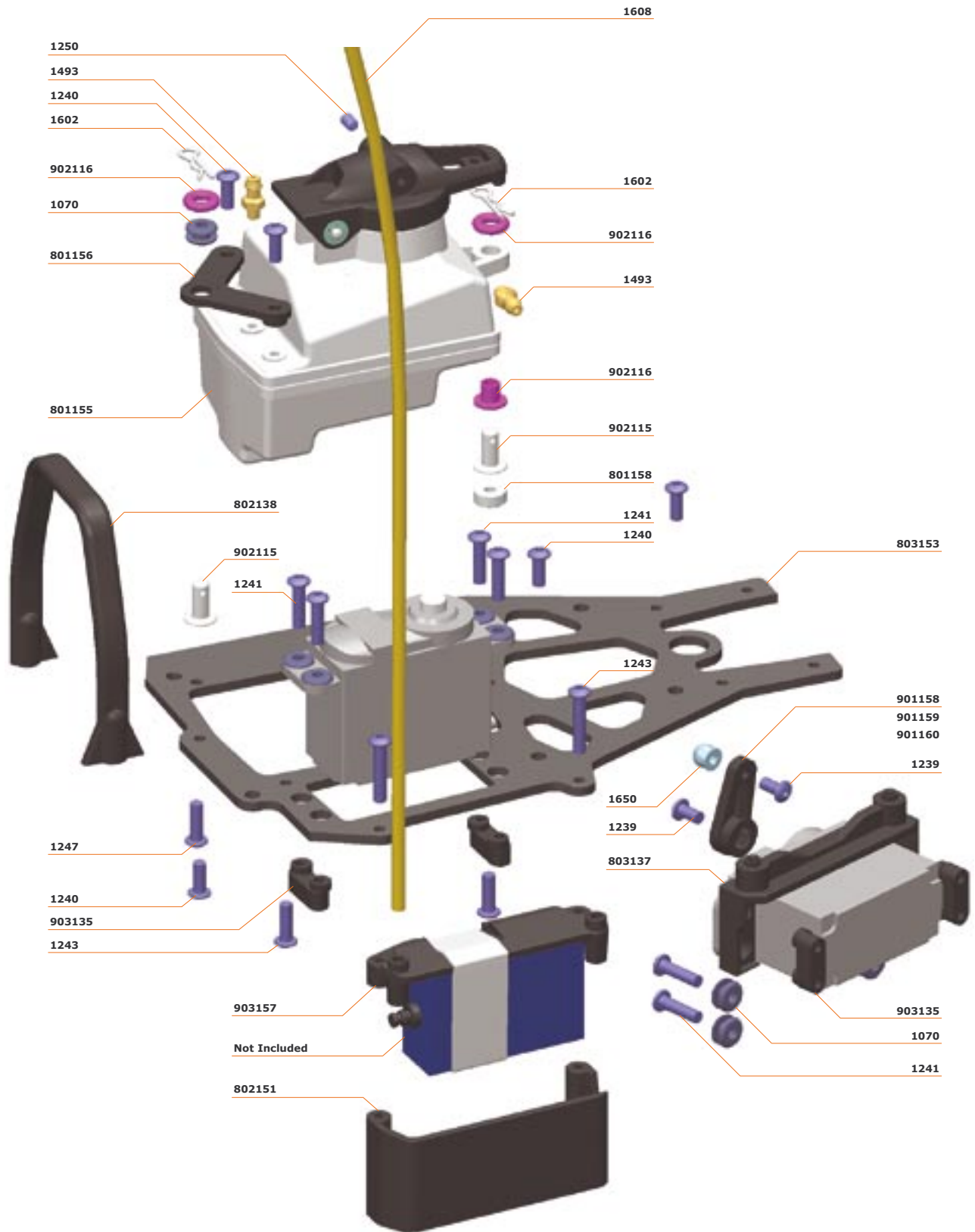
SHOCK ABSORBERS



#903164 - Set of Short Shock Absorbers (used Front & Rear)
#903200 - Complete O-ring Set

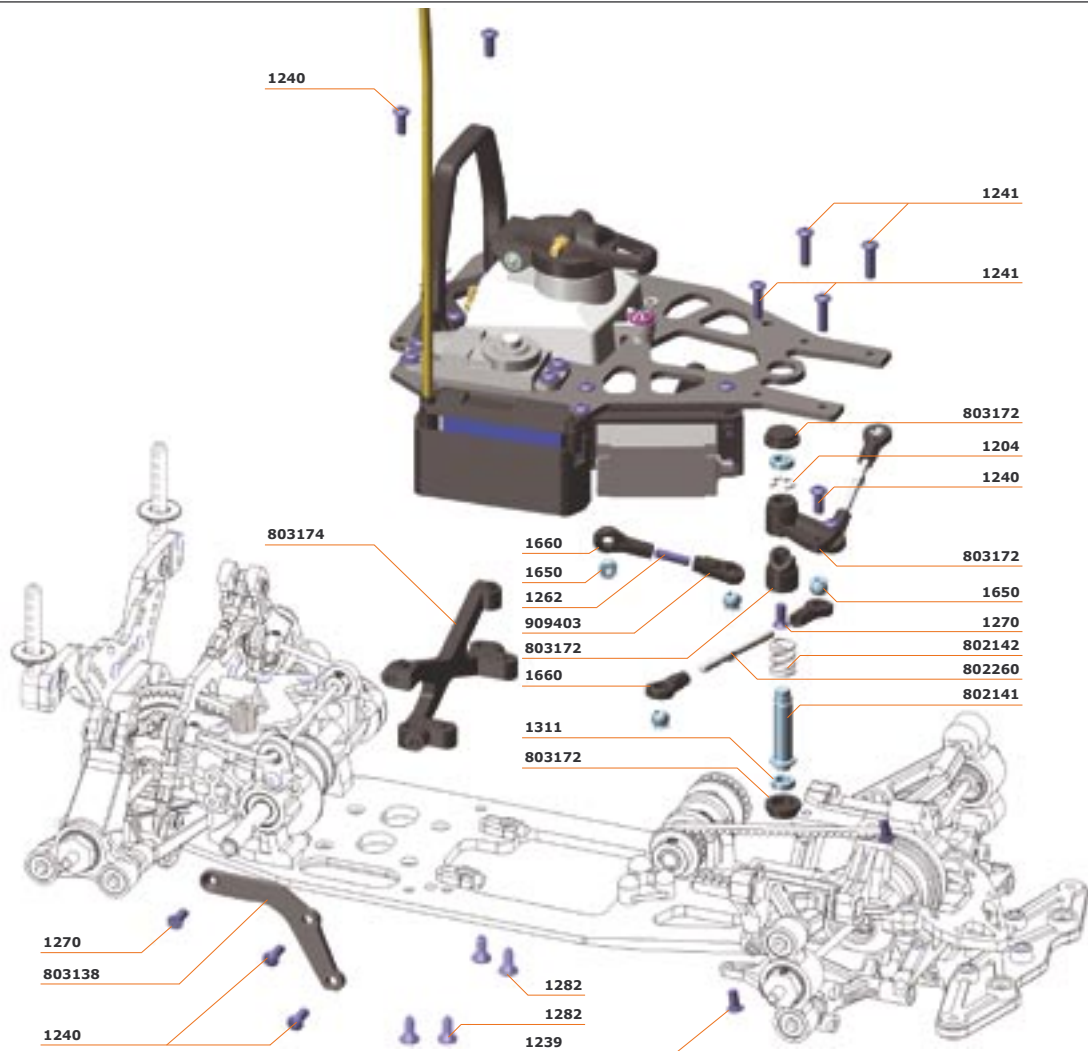
* Optional

RADIO PLATE ASSEMBLY

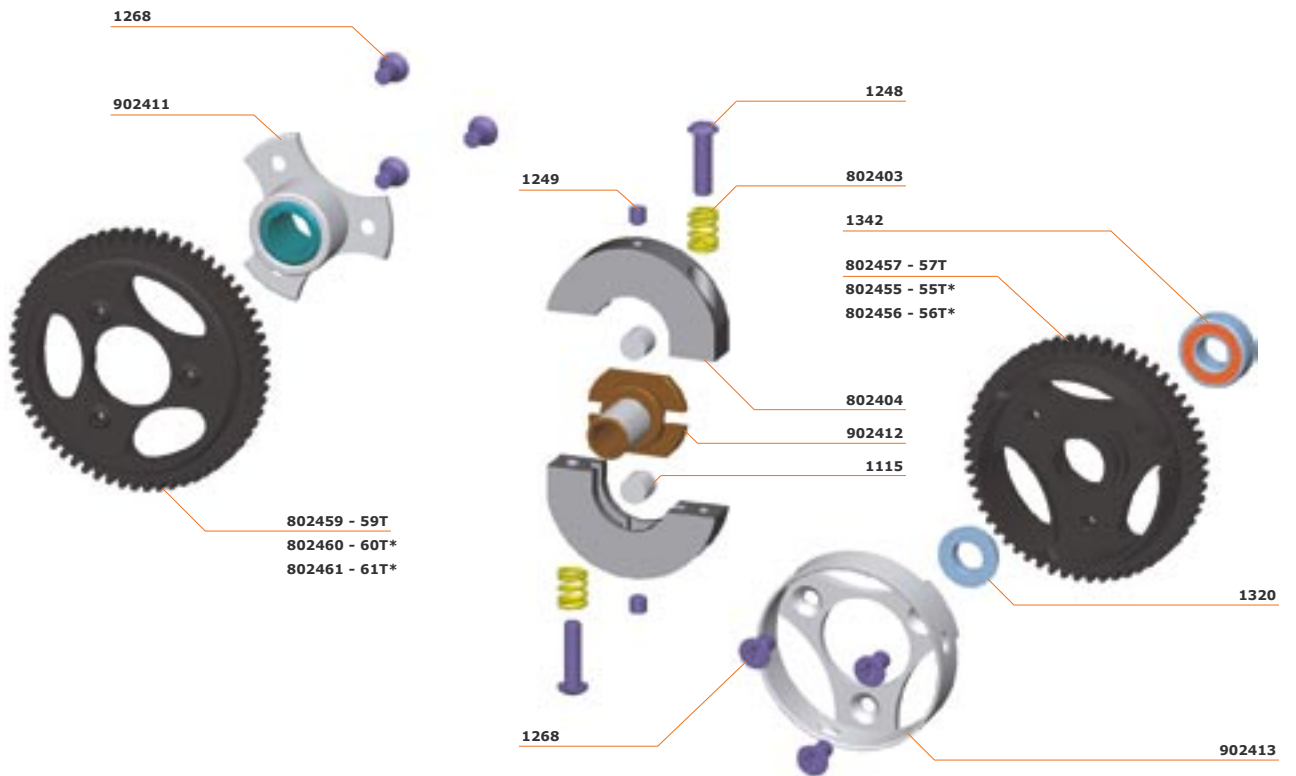


Radio Equipment Not Included

RADIO PLATE MOUNTING



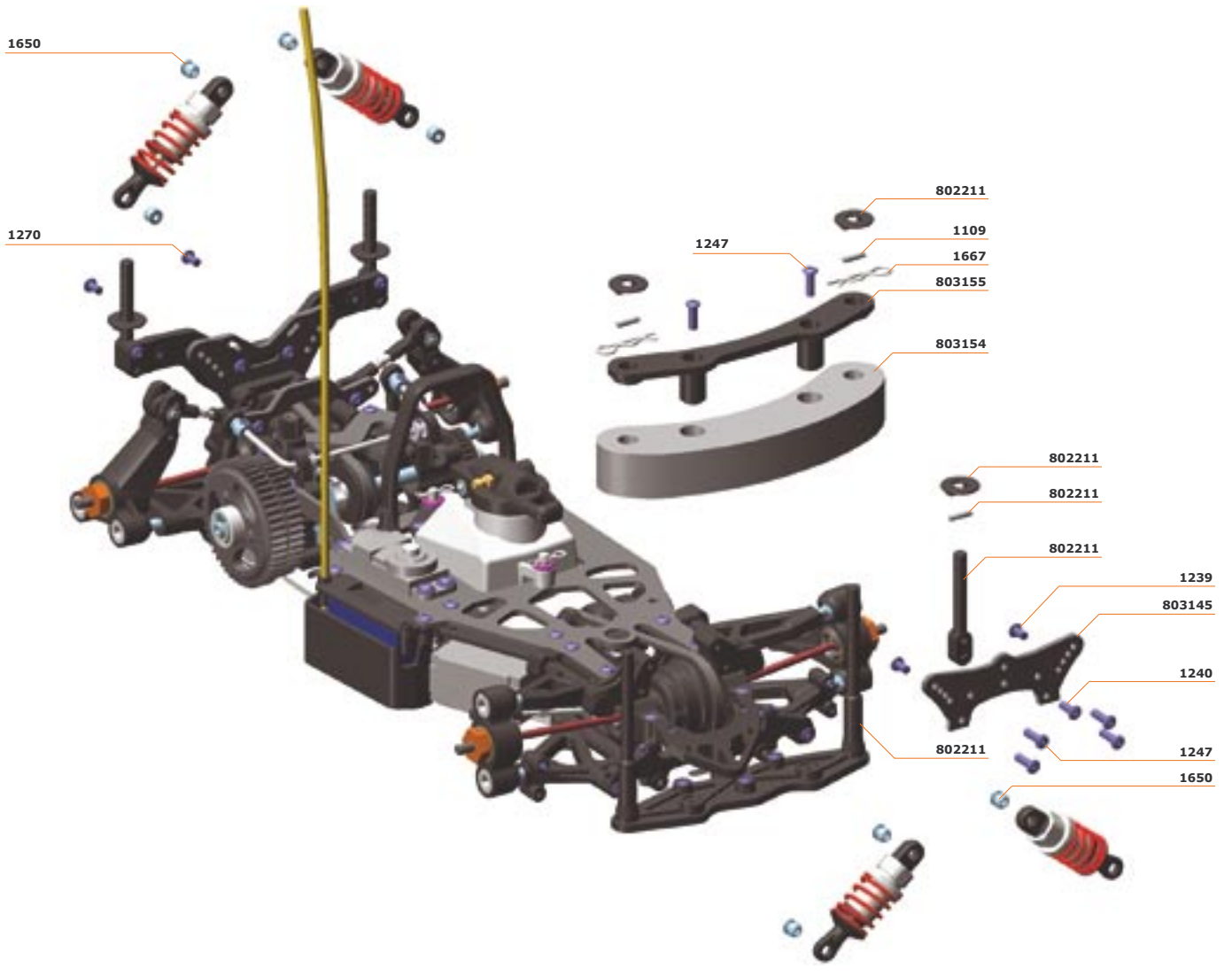
GEARBOX ASSEMBLY



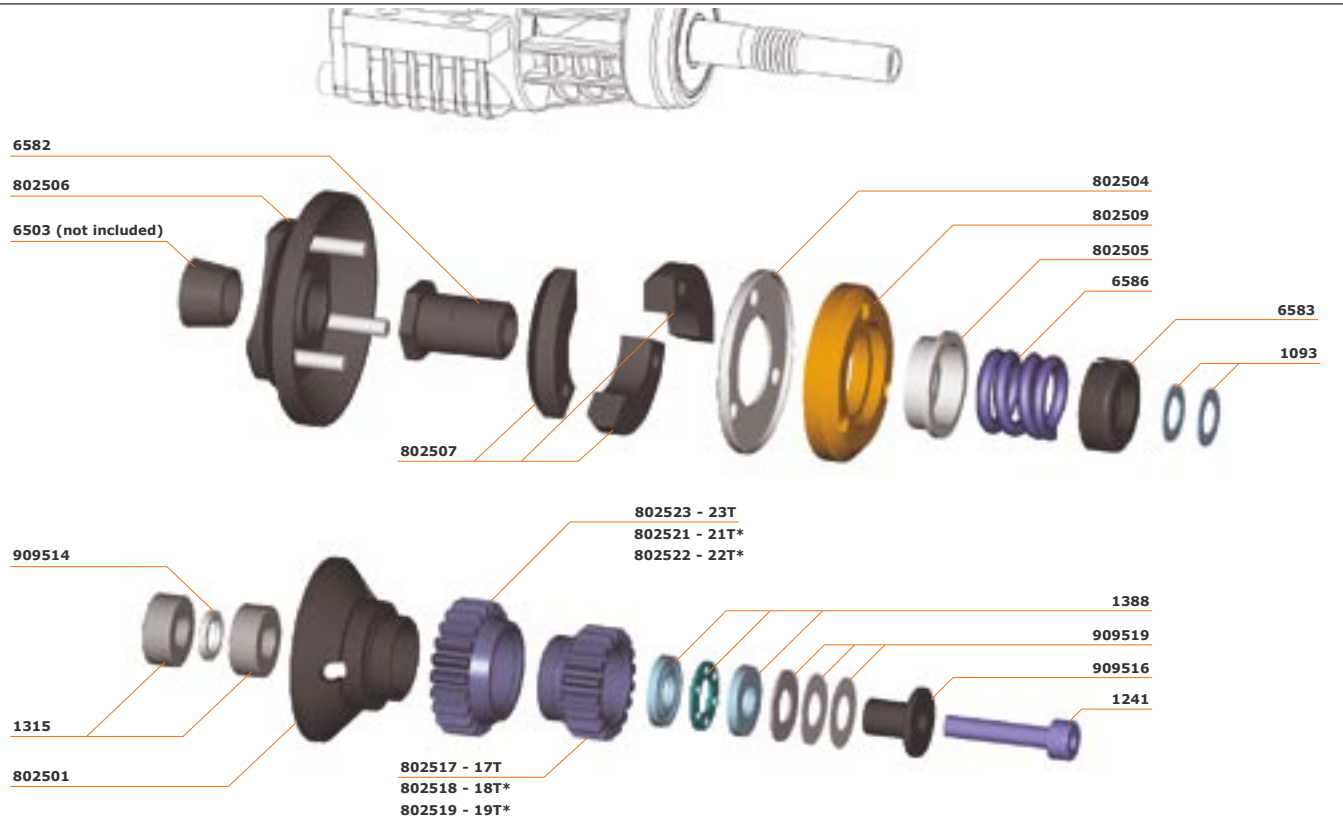
#802400 - 2 Speed gearbox set (no shaft incl.)

* Optional

SHOCK MOUNTING



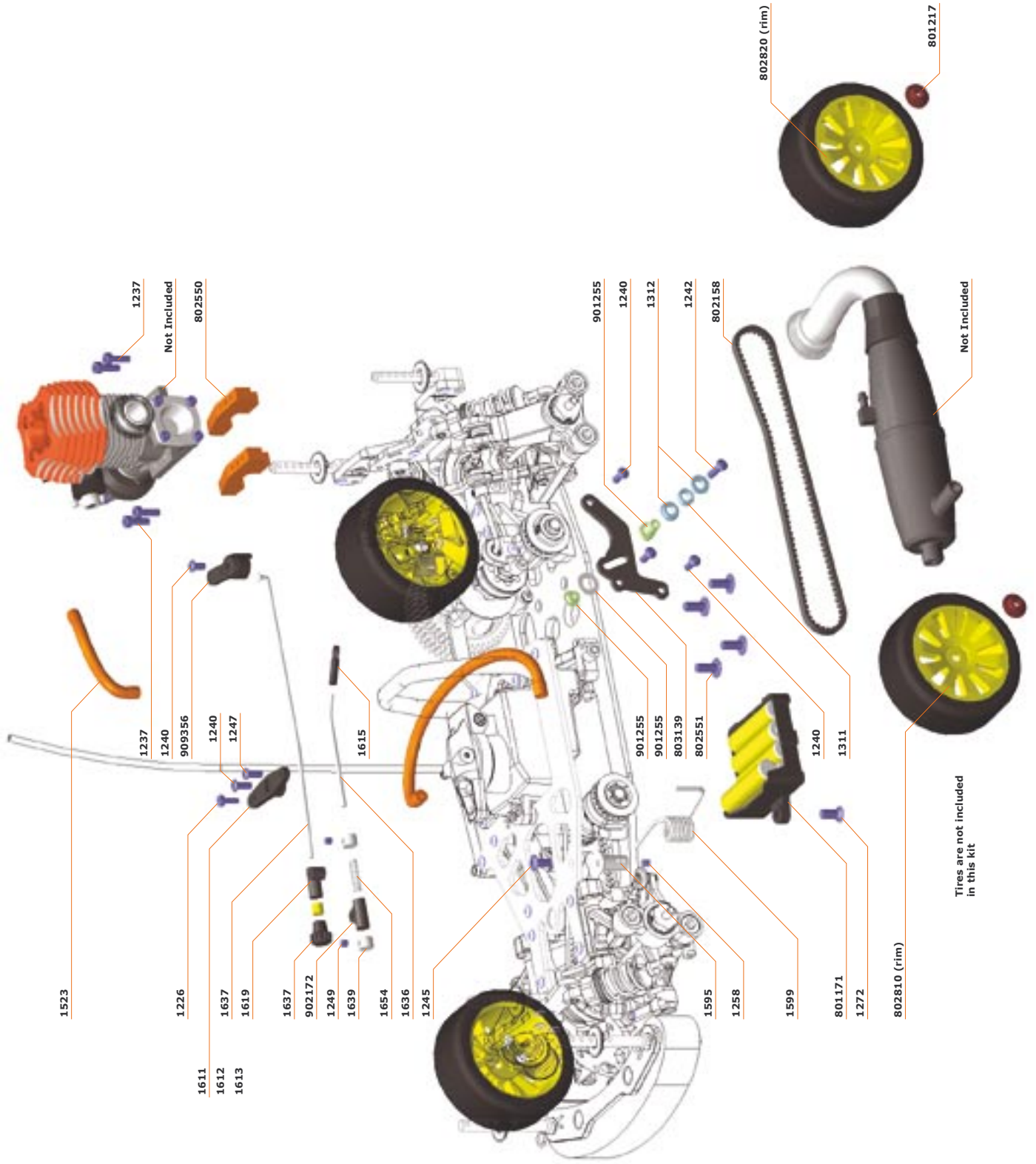
CENTAX ASSEMBLY



#802500 - Centax-III clutch set (no flywheel incl.)

* Optional

FINAL ASSEMBLY



PARTS LIST SERPENT 720

ART No. DESCRIPTION

803000 SERPENT 720 4WD

MANUALS / DECALS

803101 Instruction Manual 720
803102 Reference guide 720
803103 Set-up booklet 720
803104 Decal set 720 (A4 & A5)
803105 Decal A5 720

RADIO INSTALLATION

1070 Grommets rubber
1615 Ball joints 4mm (4)
1619 Wire guider nylon
1636 Linkage set throttle
1637 Linkage set brake
1639 Collar alu. & Set screw (4)
1650 Balls 6mm / set screws hex (4)
1654 Pressure spring (4)
1660 Ball joints 6mm (20)
802151 Receiver cover
801170 Battery case mount studs (2)
801171 Battery case
802128 Battery case mount
803115 Battery mount front
902172 Wire guide throttle
903135 Servo mount inserts
903157 Receiver bracket

SERVO SAVER

1262 M3x20 (10)
1611 Servo lever 23T (2)
1612 Servo lever 25T (2)
1613 Servo lever 24T (2)
1615 Ball joints 4mm (4)
1650 Balls 6mm / set screws hex (4)
1660 Ball joints 6mm (20)
802141 Servo saver axle
802142 Servo saver spring
802144 Servo mount bracket
802260 Track-rod 47mm L&R (2)
803172 Servo saver nylon parts
901158 Servo lever 23T
901159 Servo lever 25T
901160 Servo lever 24T
902138 Rod threaded 23mm L & R (2)
909403 Ball joints short (4)

FUEL TANK

1431 Fuel tank foam seals/clip
1493 Pressure nipple (4)
1602 Tank clips small (10)
801155 Fuel tank 75cc with AFL cap
801156 Bracket tank mounting nylon
801158 Spacer tank mount front
902115 Mounting pin tank & rubber cap (2)
902116 Cap rubber for mounting pin tank (2)

BALL BEARINGS

1311 Ball bearing 5x8x4 (2)
1312 Ball bearing 5x8 flanged
1320 Ball bearing 6x10 flanged (2)
1326 Ball bearing 7x14
1342 Ball bearing 6x13 HS (2)
1344 Ball bearing 10x15x4 HS (2)
1346 Ball bearing 12x18 HS (2)
1373 Thrust bearing 6x14
1377 Thrust bearing 5x10 Centax II

SHOCK ABSORBERS

6442 O-ring 12x1.6 (4)
903164 Shock set RCC front (2)
903166 Piston rod RCC FR (2)
903168 Nylon parts frame shocks RCC
903169 Bottom insert shock (2) RCC
903171 O-ring 10x1 (4)
903175 Foam insert (4)
903177 Nut shock alu. (4)
903178 Body alu. shock FR (2)
903186 Clip / spacer
903200 O-ring 3.3x1.5 (10)
909405 Nut adjustable alu. & O-ring (4)
909414 Spring-set D=1.4 L=27-22.7 orange (4)
909415 Spring-set D=1.5 L=27-22.7 white (4)
909416 Spring-set D=1.6 L=27-22.7 yellow (4)
909417 Spring-set D=1.7 L=27-22.7 red (4)
909418 Spring-set D=1.8 L=27-22.7 blue (4)
909419 Spring-set D=1.9 L=27-22.7 purple (4)
909420 Spring-set D=1.9 L=27-22.7 grey (4)

SERPENT SPECIAL SHOCK ABSORBER OIL

1670 Silicone oil 20W
1674 Silicone oil 25W
1671 Silicone oil 30W
1675 Silicone oil 35W
1672 Silicone oil 40W
1676 Silicone oil 45W
1673 Silicone oil 50W

CHASSIS / RADIO PLATE

803152 Chassis plate 4mm T6 720
803153 Radio plate carbon 720

FRONT SECTION

1109 Pin NRA 2x9.8 (4)
1650 Balls 6mm / set screws hex (4)
1660 Ball-joints 6mm (20)
801212 Steering block left FC
801213 Steering block right FC
801215 Wheel axle (2)
801217 Wheel nut M4, flanged (4)
801218 Wheel-adaptor hex alu. (2)
801219 Pivot-ball 8.5mm alu. coated (8)
802156 Timing belt 246x4mm front
802211 Body mount adjustable front (2)
802219 Wishbone front upper left & right
802226 Pivot pin front lower (2)
802240 Anti-roll bar levers & ecc.
802242 Anti-roll bar rod front male
802243 Anti-roll bar rod front female
802332 Driveshaft (2)
803106 Bracket 720 FR up L
803107 Bracket 720 FR up R
803108 Wishbone FR LW
803109 Pivot inserts frame
803110 Eccenter bearing FR L&R
803112 Bearing block 720 FR-LW-L
803113 Bearing block 720 FR-LW-R
803114 Pivot pin FR UP 43,5mm (2)
803137 Servo mount 720
803145 Shock tower FR 720
803146 Nose plate FR 720
803154 Bumper foam 720
803155 Bumper plate upper 720
803156 Nylon suspension set FR
803163 Bumper plate lower
808214 Spacer set caster
808340 Ball cup for pivot ball 8.5mm (8)
808344 Adjusting nuts M10 (4)

MIDDLE SECTION

1595 Mount alu. for exhaust wire
1599 Wire exhaust mounting
1647 Steel balls 6mm (4)
802138 Roll-over bar, S710
802154 Bracket middle shaft
802158 Timing belt 339x4mm (side)
802161 Middle shaft steel
802164 Pulley adaptor alu. (2)
802169 Pulley/shim 19T mid-centre
802172 Pulley/shim 22T mid-side
803138 Side plate 720 carbon R
803139 Side plate 720 carbon L
803174 Bracket radio plate-support
901255 Belt tensioner shaft & nut

REAR SECTION

1109 Pin NRA 2x9.8 (4)
1647 Steel balls 6mm (4)
1650 Balls 6mm / set screws hex (4)
1660 Ball joints 6mm (20)
801215 Wheel axle (2)
801217 Wheel nut M4, flanged (4)
801218 Wheel adaptor hex alu. (2)
801219 Pivot-ball 8.5mm alu. coated (4)
801255 Belt 201x4mm rear
802164 Pulley adaptor alu. (2)
802332 Driveshaft (2)
802339 Anti-roll bar balls rear (2)
802344 Pulley 24T 2SP-center
802361 Body mount adjustable rear (2)
803133 Mounts nylon rear anti-roll bar (2)
803164 Bearing block RR L
803165 Bearing block RR R
803109 Pivot inserts frame
803119 Brake pulley adaptor 720
803121 Wishbone RR LW
803122 Pivot pin RR LW 49mm
803123 Eccenter bearing rear (2)

803124 Stiffener RR UP carbon
803125 Plate U 720 RR carbon
803127 Shock tower RR 720
803128 Body support rear 720
803129 Back plate 720
803130 Upright 720
803132 Pin body support (2)
803134 Spacer rear anti-roll bar (2)
803135 Anti-roll bar rear 2.5mm
803136 Pulley/shim 2SP-side 21T
803157 Nylon suspension-set RR
803177 Spacer alu. track rod rear 6x5.5x3.1 (2)
808340 Ball cup for pivot ball 8.5mm (8)
808344 Adjusting nut M10 (4)
902138 Rod threaded 23mm L & R (2)

DIFFERENTIALS

1315 Ball bearing 5x10x4 (2)
802601 Gear-diff front 35T (assembled)
802602 Gear-diff front nylon parts 35T
802605 Gear and axle set 4+2+2
802606 Adaptor gear-diff steel (2)
802608 Revision set gear-diff (15)
803160 Gear-diff rear set 47T (assembled)
803161 Gear-diff front nylon parts 47T

160001 Silicone diff oil 1.000cst 50ml
160003 Silicone diff oil 3.000cst 50ml
160005 Silicone diff oil 5.000cst 50ml
160007 Silicone diff oil 7.000cst 50ml
160010 Silicone diff oil 10.000cst 50ml
160020 Silicone diff oil 20.000cst 50ml
160030 Silicone diff oil 30.000cst 50ml
160040 Silicone diff oil 40.000cst 50ml
160050 Silicone diff oil 50.000cst 50ml
160060 Silicone diff oil 60.000cst 50ml

BRAKE SYSTEM

801345 Steel brake disk ventilated
803117 Brake-support plate S 720 carbon
903112 Brake-cam alu. coated
901355 Brake pads black (4)
901356 Brake plates steel (2)
909356 Brake lever / spring

2-SPEED GEARBOX

1115 Needle steel 5x5 (2)
802400 2-speed gearbox LC (no shaft incl.)
802403 Spring 2-speed soft (2)
802404 2-speed clutch shoes set LC
802455 2-speed gear 55T (2ND) LC
802456 2-speed gear 56T (2ND) LC
802457 2-speed gear 57T (2ND) LC
802459 2-speed gear 59T (1ST) LC
802460 2-speed gear 60T (1ST) LC
802461 2-speed gear 61T (1ST) LC
803158 2-speed shaft 710-720
902411 Drive-flange alu. with OWB LC
902412 Adaptor 2-speed LC
902413 Clutch bell alu. LC

CLUTCH SYSTEM

1093 Centax 5x6.8 shim set 0.1 (2) 0.3 (1)
1377 Thrust bearing 5x10 Centax II
6503 Flywheel cone (3)
6582 Centax clutch nut
6583 Centax pre-load adjusting nut
6586 Centax II coil spring 1.8
802500 Centax-3 clutch set (excl. Flywheel)
802501 Centax-3 clutch housing
802504 Centax-3 support washer
802505 Centax-3 spring cup
802506 Centax-3 flywheel 33mm
802507 Centax-3 centrifugal shoes (3)
802509 Centax-3 clutch shoe yellow
802517 Centax-3 gear-pinion alu. 17T
802518 Centax-3 gear-pinion alu. 18T
802519 Centax-3 gear-pinion alu. 19T
802521 Centax-3 gear-pinion alu. 21T
802522 Centax-3 gear-pinion alu. 22T
802523 Centax-3 gear-pinion alu. 23T
909514 Centax II bearing spacer 5x7
909516 Centax II spacer thrust bearing
909519 Centax II shims 5x10x0.1 (2) & 0.3 (1)

ENGINE MOUNTS

802551 Engine mount screw M4x10 flanged (4)
802550 Engine mount M12 (2)

WHEELS

801826	Rim 26mm/flange BBS yellow (2)
802810	Rim 26mm slick yellow (2)
802820	Rim 30mm slick yellow (2)
110300	Tire rubber & inlays 26mm (2)
801840	Rim & foam tire 26mm 40 shore (2)
801841	Rim & foam tire 30mm 35 shore (2)

BODIES / WINGS

170015	Body Lola 1/10 200mm
170016	Body GTP 200mm
170100	Wing set rear 1/10 200mm
170102	Gurney strip & nylon mounts
170103	Wing set rear 200mm Pro
1728	Fastener set nylon M3-M4 (body)
170024	Body Mazda PF 200mm & wing
170025	Body Nemesis PF 200mm & wing
170026	Body Stratus 3 & wing 200mm
170027	Body race truck 200mm

GENERAL EQUIPMENT

1494	Silicone tubing 2x5x50 white
1521	Silicone tubing 2x5x50 purple
1522	Silicone tubing 2x5x50 smoke
1523	Silicone tubing 2x5x50 orange
1604	Antenna tubes pink (2)
1605	Antenna tubes green (2)
1606	Antenna tubes black (2)
1607	Antenna tubes blue (2)
1608	Antenna tubes orange (2)
1609	Antenna tubes purple (2)
1667	Body clip medium (10)
1680	One-way lube bearing oil 25ml
1682	Bearing oil 25 ml
1683	Premium Lube 25ml
1690	Cleaning gum
1450	Nitromax-16 instrument 16%
1451	Nitromax-25 instrument 25%
1452	Nitromax glass

OPTIONALS (per Section)

Servo Saver

802146	Servo lever front long S710
--------	-----------------------------

Fuel Tank

1434	Pressure Nipple angled
1530	Fuel filter special
801157	Bracket tank mounting carbon
801159	Spacer tank capacity (5)

Ball Bearings

1363	Sealed bearing 6x13 (10)
1364	Sealed bearing 6x15 (10)
1365	Sealed bearing 12x18 (10)
1366	Sealed bearing 12x21 (10)
1367	Sealed bearing 15x24 (10)
1381	Ball-bearing 6x10 FL HS Cer (2)
1382	Ball-bearing 6x13 HS Cer (2)
1384	Ball-bearing 10x15x4 HS Cer (2)
1386	Ball-bearing 12x18 HS Cer (2)
1388	Thrust-bearing 5x10 Cer
1389	Bearing set ceramic S710 (19)

Front Section

1065	O-rings alu. front axle (10)
801214	Wheel axle front pro (2)
802157	Drive belt 246x4mm front Pro
802212	Body mount alu. (2 long & 1 short)
802241	Anti-roll bar levers & eccentric alu.
802252	Front shaft lock set
802255	Wheel adaptor clamp type orange (4)
802350	CVD set complete (2)
803166	Bumper LM type

Middle Section

801173	Battery set 5-cell 750mA S705-835
802155	Bracket middle shaft alu.
802159	Drive belt 339x4mm side Pro
802162	Middle shaft alu. coated
802165	Pulley adaptor alu. light (2)
802170	Pulley/shim 19T mid-centre alu.
802173	Pulley/shim 22T mid-side alu.
803175	Bracket radio plate support alu.

Rear Section

801256	Drive belt 201x4mm rear Pro
802171	Pulley/shim 21T mid-side alu. coated
802255	Wheel adaptor clamp type orange (4)
802350	CVD set complete (2)
802362	Body-mount alu. short rear (2)
803167	Pulley/shim 24T 2SP centre alu. 720
803168	Anti-roll bar rear 2.2mm
803169	Anti-roll bar rear adjustable
803170	Bearing Eccentric alu. (2+2)
803171	Body support set rear floating

Differentials

1378	Balls ceramic coated 4mm (12)
802245	Axle front with one ways
802370	Ball differential front
802380	Ball differential rear
802382	Ball diff axle rear pro L&R
802387	Diff clamp-ring 2-parts S710
802393	Diff adjuster alu. Pro & shoe

Brake System

9607	Race brake pad set L & R
------	--------------------------

Clutch System

802502	Centax-3 clutch housing light
802508	Centax-3 clutch shoe XP

Engine Mounts

802552	Mono block mount M12 NR-based
802553	Mono block mount M12 Mega/Picco

General Optionals

802160	Belt set Pro S710 (3)
802246	Pulley 35T/flange
802248	Drive shaft adaptor (2)
802831	Set-up wheels S710 alu. orange (4)
803162	Starter box support 720
903176	Needle for driveshaft 3x9.95 (8)

FRONT BALL DIFFERENTIAL (OPTIONAL)

802370	Ball Differential front
8378	Balls and steel washers
801435	Diff friction collar
801436	Spacer diff collar
802371	Diff axle front L
802373	Diff axle front R
802375	Diff Pulley front 35T
1326	Ball bearing 7x14
1292	Spring washer 6,2x14x0,9

REAR BALL DIFFERENTIAL (OPTIONAL)

802380	Ball Differential rear
8378	Balls and steel washers
801435	Diff friction collar
802381	Diff axle rear L
802383	Diff axle rear R
808376	Diff Pulley rear 47T
1326	Ball bearing 7x14
1292	Spring washer 6,2x14x0,9

TOOLS

1460	Camber gauge
1462	Tool pressure nipple / Centax nut
802514	Centax-3 clutch housing holder
802515	Pinion gear tool 16-23T
903202	Tool RCC shocks
909597	Centax clutch gap tool alu.

ACCESSORIES

1395	Glow driver with battery & charge cable
1429	Cable set 12V for Powerstart
1400G	Powerstart starter box grey

FASTENING MATERIAL

1018	Screw-flanged M4x14 hex (4)
1019	Screw-flanged M4x25 hex (4)
1070	Grommets rubber soft (4)
1070	Grommets rubber soft (4)
1101	Pin NRA 2.5x11.8 (4)
1102	Pin NRA 2.5x11.8 (4)
1103	Pin NRA 2.5x13.8 (4)
1104	Pin NRA 2.5x15.8 (4)
1105	Pin NRA 2.5x17.8 (4)
1106	Pin NRA 2.5x19.8 (4)
1107	Pin NRA 2.5x21.8 (4)
1108	Pin NRA 2x13.8 (4)
1109	Pin NRA 2x9.8 (4)
1110	Pin NRA 3x11.8 (4)
1111	Pin NRA 3x13.8 (4)
1112	Pin NRA 3x19.8 (4)
1113	Pin NRA 3x9.8 (4)
1114	Pin NRA 3x15.8 (4)
1115	Pin NRA 5x5 (4)
1201	E-clip 1,9 (10) R1
1202	E-clip 2,3 (10) R2
1203	E-clip 3,2 (10) R3
1204	E-clip 4,0 (10) R4
1205	E-clip 5,0 (10) R5
1207	E-clip 7,0 (10) R7
1208	C-clip 10x1 (10) T10
1209	G-clip 14x1 (10) S14
1210	Seeger clip 16x1 (10)
1212	Screw RH PH 2.9x9.5 (10) A5
1213	Screw RH PH 2.9x13 (10) A6
1214	Screw RH PH 2.9x16 (10) A7
1215	Screw RH PH 2.9x19 (10) A8
1216	Screw RH PH 2.9x25 (10) A10

1217	Screw RH PH 3.5x9.5 (10) A12
1218	Screw RH PH 3.5x13 (10) A13
1219	Screw RH PH 3.5x16 (10) A14
1220	Screw RH PH 3.5x19 (10) A15
1225	Screw RH M2x6 (10) C2
1226	Screw RH M2x6 (10) C5
1227	Screw RH PH M3x8 (10) D11
1228	Screw RH PH M3x12 (10) D13
1232	Screw RH Allen M3x18 (10)
1233	Screw CH Allen M3x20 (10)
1235	Screw CH Allen M3x6 (10) F10
1236	Screw CH Allen M3x10 (10) F12
1237	Screw CH Allen M3x12 (10) F13
1238	Screw CH Allen M3x16 (10) F14
1239	Screw RH Allen M3x8 (10) E10
1240	Screw RH Allen M3x8 (10) E11
1241	Screw RH Allen M3x12 (10) E12
1242	Screw RH Allen M3x14 (10) E13
1243	Screw RH Allen M3x16 (10) E14
1244	Screw RH Allen M4x6 (10) E17
1245	Screw RH Allen M4x8 (10) E18
1246	Screw RH Allen M4x16 (10) E21
1247	Screw RH Allen M3x10 (10)
1248	Screw RH Allen M4x12 (10) E20
1249	Grub screw M3x3 (10) J8
1250	Grub screw M3x4 (10)
1251	Grub screw M3x6 (10)
1252	Grub screw M4x10 (10)
1253	Grub screw M3x8 (10)
1255	Grub screw M3x10 (10) H12
1256	Grub screw M3x12 (10) H13
1257	Grub screw M4x4 (10) H16
1258	Grub screw M4x6 (10) H17
1259	Grub screw M5x5 (10) H24
1260	Grub screw M5x6 (10) H25
1261	Grub screw M4x10 (10) H17
1262	Grub screw M4x10 (10) H17
1267	Screw CSH Allen M3x20 (10)
1268	Screw CSH PH M3x6 (10)
1269	Screw CSH PH M3x16 (10) G14
1270	Screw CSH PH M3x8 (10) G11
1271	Screw CSH PH M4x8 (10) G18
1272	Screw CSH PH M4x10 (10) G19
1273	Screw CSH PH M4x12 (10) G20
1274	Screw CSH PH M4x16 (10) G21
1275	Screw CSH PH M5x12 (10) G27
1276	Screw CSH PH M4x20 (10) G23
1277	Screw CSH PH M3.5x8 (10)
1278	Screw CSH ALLEN M4x20 (10)
1279	Screw CSH ALLEN M4x25 (10)
1280	Screw CSH PH 2,2x6,5 (10) B2
1281	Screw CSH PH 2,9x9,5 (10) B5
1282	Screw CSH PH 3,5x9,5 (10) B12
1283	Screw CSH PH 3,5x13 (10) B13
1284	Screw CSH PH 3,5x16 (10) B14
1285	Screw CSH PH 4,2x13 (10) B20
1286	Screw CSH PH 2.9x19 (10)
1287	Screw CSH PH 2.9x6.5 (10)
1288	Screw CSH PH 2.9x9.5 (10)
1290	Washer 3.2x7 (10) N3
1291	Washer 2.5x6 (10) N4
1292	Spring washer 6,2x14x0,9
1293	Spring washer 7,2x14x0,8
1295	Lock washer 3.2x8 (10) O3
1297	Nut nylock M3 (10) L3
1298	Nut nylock M4 (10) L4

MERCHANDISING

1865	Lanyard Serpent grey/silver
1866	Decal sheet Serpent promotional A4
1934	Serpent T-shirt (check website)
1936	Serpent sweater (check website)
1911	Serpent jacket (check website)
1980	Kit bag Serpent black large
1981	Kit bag Serpent black small
1998	Serpent Team cap black Deluxe

For up-to-date information on Serpent:
Surf our Internet website: www.serpent.com
This list is subject to changes without prior notice.

SERPENT *seven20* **720**

SERPENT
MOTORSPORT

Serpent Model Racing Cars BV
Spaarneweg 12E, 2142 EN, Cruquius
The Netherlands, Europe