

DRIVER, TRACK AND RESULTS

DRIVER Pontus Larsson **COUNTRY** SWE **WEATHER** AIR TEMP -4 TRACK TEMP -2 DRY INTERMEDIATE WET
RACE Vedum spring indoor **DATE** 3-3-2018 **QUALY POS.** 1 **STARTING POS.** 1 **FINAL POS.** 1 **FASTEST LAP** 29.02
TRACK Vedum **TYPE** TIGHT MEDIUM OPEN **GRIP** LOW MEDIUM HIGH
SURFACE CONDITION SMOOTH ROUGH
TYPE HARD PACKED CLAY MULTI/SURFACE GRASS BLUE GROOVE DIRT ASTRO-TURF

FRONT	SHOCK ABSORBERS	REAR
500 cst	OIL	300 cst
Pink V3	SPRINGS	Red V3
0 mm	REBOUND	0 mm
N° HOLES 8 Ø 1.3 mm	PISTONS	N° HOLES 8 Ø 1.3 mm
<input checked="" type="checkbox"/> BLADDER	SEAL TYPE	<input checked="" type="checkbox"/> BLADDER
<input type="checkbox"/> EMULSION		<input type="checkbox"/> EMULSION

ANTI-ROLL BARS	
FRONT ANTI-ROLL BAR 2.5 mm	REAR ANTI-ROLL BAR 2.5 mm

DIFFERENTIAL OIL		
FRONT DIFF 10000 cst	CENTER DIFF 10000 cst	REAR DIFF 7000 cst

GEARING	
CLUTCH BELL 14Teeth	SPUR GEAR 46Teeth

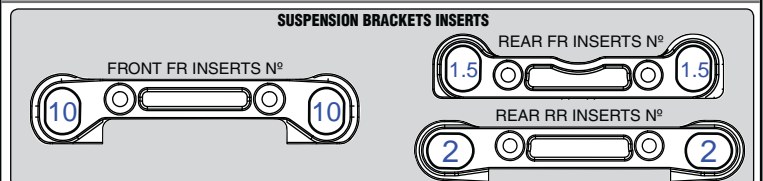
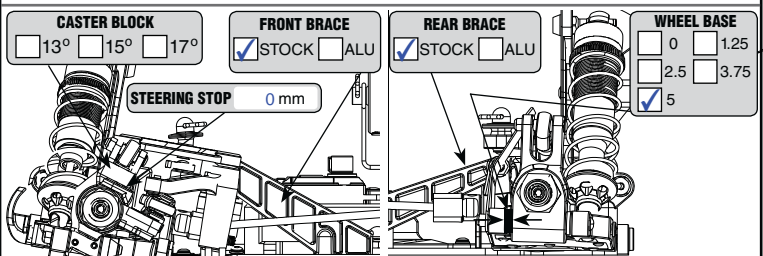
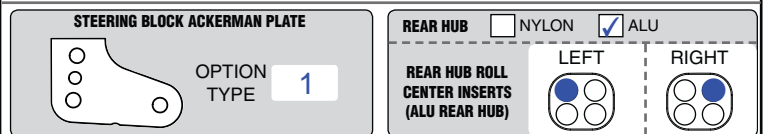
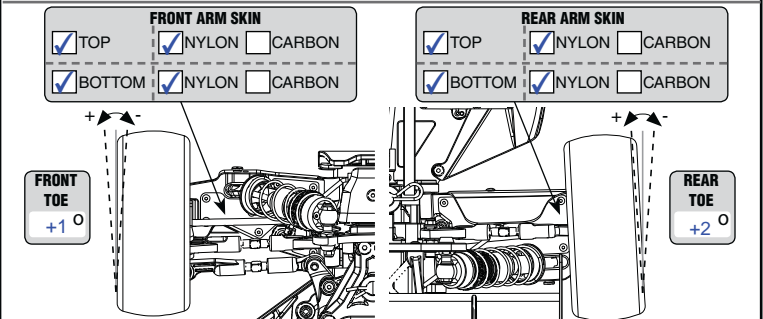
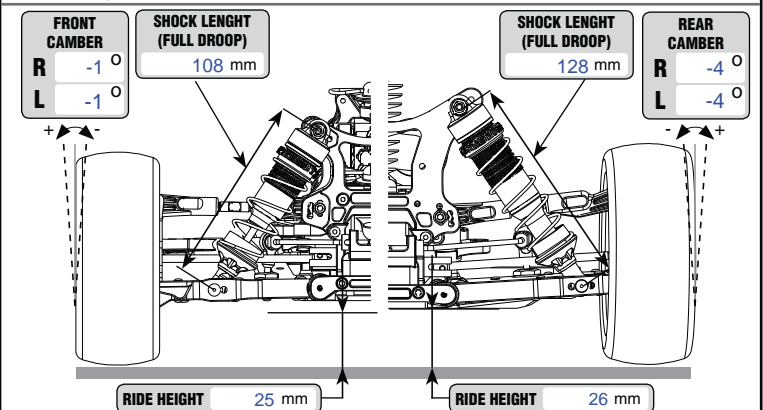
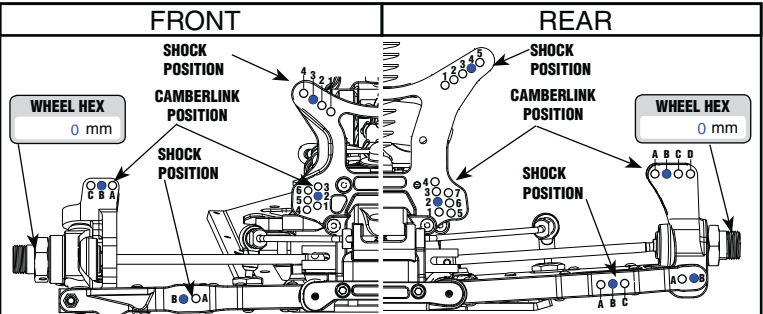
CLUTCH	
<input checked="" type="checkbox"/> STANDARD <input type="checkbox"/> VENTED	<input type="checkbox"/> STEEL <input checked="" type="checkbox"/> ALU
CLUTCH SHOES	CLUTCH SPRINGS
SHOE TYPE alu x 4 with SPRINGS TYPE 0.95 mm	
SHOE TYPE x with SPRINGS TYPE mm	

ENGINE, PIPE AND FUEL			
ENGINE BRAND Bullit	TYPE	B-220	
HEADSHIMS 0.2 mm	GLOWPLUG P3	CARB Ø	6.5 mm
EXHAUST PIPE Bullit 2089	MANIFOLD	Bullit	
FUEL BRAND Hotfire	NITRO	25 %	

FLEX CONFIGURATION	
ENGINE MOUNT	<input checked="" type="checkbox"/> STANDARD <input type="checkbox"/> MONOBLOCK

AERODYNAMIC CONFIGURATION	
BODY	<input type="checkbox"/> STANDARD <input checked="" type="checkbox"/> HIGH DOWNFORCE <input type="checkbox"/> OTHER Serpent 600719
WING	
TYPE Serpent 600825	WING PLATES <input type="checkbox"/> 2° <input type="checkbox"/> 4° <input checked="" type="checkbox"/> 6°
GURNEY STRIP <input type="checkbox"/> YES <input checked="" type="checkbox"/> NO	CENTER FOIL <input type="checkbox"/> YES <input checked="" type="checkbox"/> NO

FRONT TIRES	Controlled Tire	REAR
Schumacher	MAKE	Schumacher
Minipin	TYPE	Minipin
Blue	INSERTS	Blue
Sweep	WHEELS	Sweep



REMARKS
Serpent 600891 C-hub 19deg L+R alu SRX8 Cut one outside row on front and rear tyres. Brake bias front 50% Rear 50%.