

DRIVER, TRACK AND RESULTS

DRIVER	Carlos Durães	COUNTRY	France	WEATHER	AIR TEMP	7	TRACK TEMP	<input checked="" type="checkbox"/> DRY <input type="checkbox"/> INTERMEDIATE <input type="checkbox"/> WET			
RACE	Montpellier GP	DATE	09-11/02/2018	QUALY POS.	17°	STARTING POS.	13°	FINAL POS.	13°	FASTEST LAP	34.5
TRACK	Padova	TYPE	<input checked="" type="checkbox"/> TIGHT <input type="checkbox"/> MEDIUM <input type="checkbox"/> OPEN	GRIP	<input checked="" type="checkbox"/> LOW <input type="checkbox"/> MEDIUM <input type="checkbox"/> HIGH						
SURFACE CONDITION	<input checked="" type="checkbox"/> SMOOTH <input type="checkbox"/> ROUGH										
TYPE	<input checked="" type="checkbox"/> HARD PACKED <input type="checkbox"/> CLAY <input type="checkbox"/> MULTI/SURFACE <input type="checkbox"/> GRASS <input type="checkbox"/> BLUE GROOVE <input type="checkbox"/> DIRT <input type="checkbox"/> ASTRO-TURF										

FRONT SHOCK ABSORBERS		REAR	
40 WT cst	OIL	30 WT cst	
Blue V3	SPRINGS	Red V3	
10 mm	REBOUND	10 mm	
N° HOLES 8	Ø 1.3 mm	PISTONS N° HOLES 8	Ø 1.3 mm
<input checked="" type="checkbox"/> BLADDER	SEAL	<input checked="" type="checkbox"/> BLADDER	
<input type="checkbox"/> EMULSION	TYPE	<input type="checkbox"/> EMULSION	

FRONT ANTI-ROLL BARS		REAR	
<input type="checkbox"/>	<input type="checkbox"/>	<input type="checkbox"/>	<input checked="" type="checkbox"/>
1.8	2.0	2.3	2.5
<input type="checkbox"/>	<input type="checkbox"/>	<input type="checkbox"/>	<input type="checkbox"/>
1.8	2.0	2.3	2.5

DIFFERENTIAL OIL		
FRONT DIFF	CENTER DIFF	REAR DIFF
10K cst	15K cst	7K cst

GEARING	
CLUTCH BELL	13 Teeth
SPUR GEAR	47 Teeth

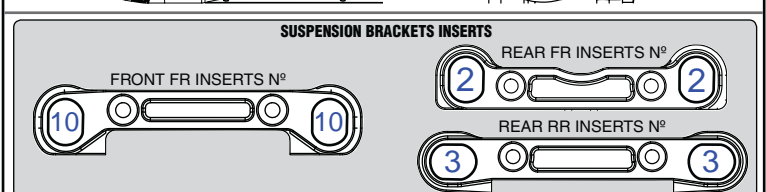
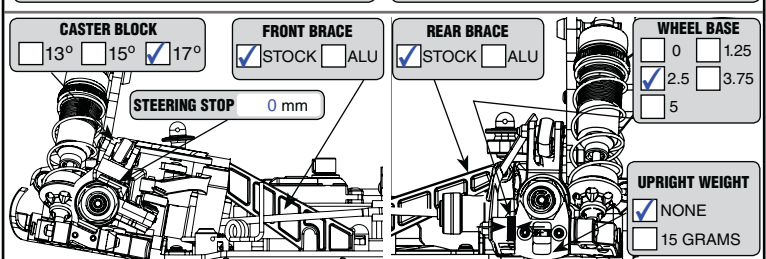
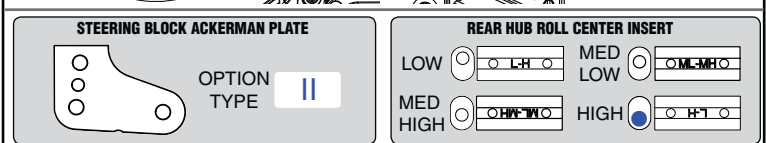
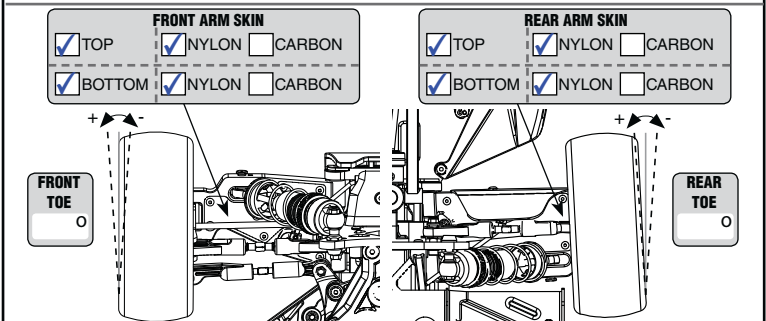
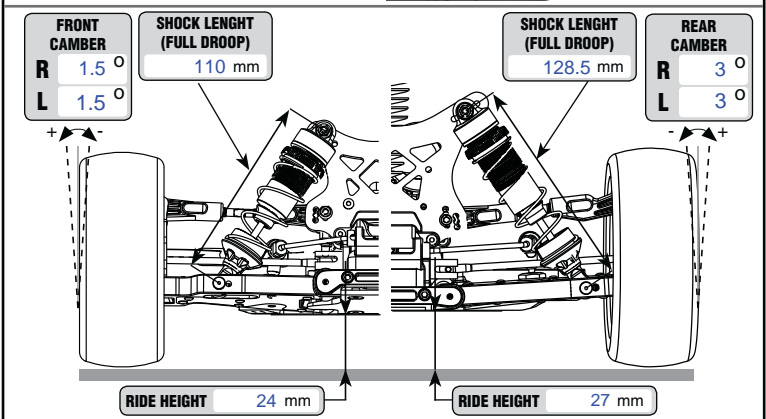
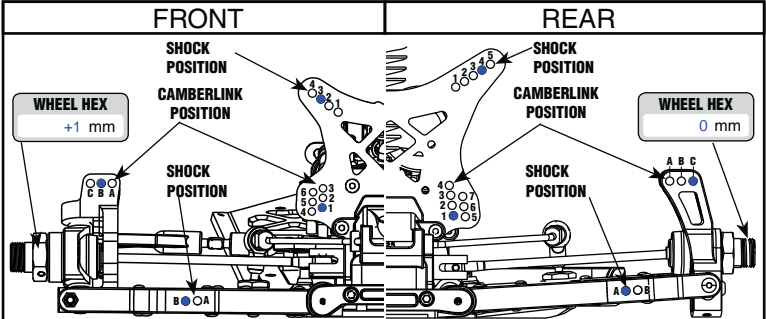
CLUTCH	
CLUTCH BELL	FLYWHEEL
<input checked="" type="checkbox"/> STANDARD <input type="checkbox"/> VENTED	<input checked="" type="checkbox"/> STEEL <input type="checkbox"/> ALU
CLUTCH SHOES	CLUTCH SPRINGS
SHOE TYPE Aluminio x 2 with SPRINGS TYPE Green mm	
SHOE TYPE Carbon x 2 with SPRINGS TYPE Green mm	

ENGINE, PIPE AND FUEL			
ENGINE BRAND	OS Spec III	TYPE	
HEADSHIMS	mm	GLOWPLUG	P3
CARB Ø	6 mm		
EXHAUST PIPE	2090	MANIFOLD	Original
FUEL BRAND	Nitrolux	NITRO	25 %

FLEX CONFIGURATION	
ENGINE MOUNT	<input type="checkbox"/> STANDARD <input checked="" type="checkbox"/> MONOBLOCK

AERODYNAMIC CONFIGURATION	
BODY	<input type="checkbox"/> STANDARD <input type="checkbox"/> HIGH DOWNFORCE <input checked="" type="checkbox"/> OTHER Duraes
WING	
TYPE	Serpent 600825
WING PLATES	<input type="checkbox"/> 2° <input checked="" type="checkbox"/> 4° <input type="checkbox"/> 6°
GURNEY STRIP	<input type="checkbox"/> YES <input type="checkbox"/> NO
CENTER FOIL	<input type="checkbox"/> YES <input type="checkbox"/> NO

FRONT TIRES		REAR	
AKA	MAKE	AKA	
Zips Super Soft	TYPE	Zips super soft	
red	INSERTS	red	
akaSerpent	WHEELS	Aka	



REMARKS	Duraes design front wing
----------------	--------------------------