

DRIVER, TRACK AND RESULTS

DRIVER **Dominic Greiner** COUNTRY **Germany** WEATHER AIR TEMP **25** TRACK TEMP **30** DRY INTERMEDIATE WET

TRACK **TRC Hong Kong** TRACTION LOW MEDIUM HIGH COMMENTS

RACE **SAC** DATE **03.12.2017** QUALY POS. **1** QUALY TIME STARTING POS. **1** FINAL POS. **1**

FRONT	DRIVE TRAIN	REAR
<input type="checkbox"/> GEAR DIFF	cst	<input type="checkbox"/> GEAR DIFF
<input checked="" type="checkbox"/> SPOOL		

1ST	SPUR GEARS	2ND
<input type="checkbox"/> 58	<input checked="" type="checkbox"/> 60	<input checked="" type="checkbox"/> 55
<input type="checkbox"/> 59	<input type="checkbox"/> 53	<input type="checkbox"/> 54

1ST	PINION	2ND
<input type="checkbox"/> 15	<input checked="" type="checkbox"/> 16	<input checked="" type="checkbox"/> 21
<input type="checkbox"/> 17	<input type="checkbox"/> 20	<input type="checkbox"/> 22

FRONT	SHOCK ABSORBERS	REAR
900	cst OIL	900
red	SPRINGS	red
6	mm REBOUND	6
<input type="checkbox"/>	<input checked="" type="checkbox"/>	<input checked="" type="checkbox"/>

FRONT	ANTI-ROLL BARS	REAR
<input type="checkbox"/> 1.8	<input checked="" type="checkbox"/> 2.8	<input type="checkbox"/> 1.6
<input type="checkbox"/> 2.2	<input type="checkbox"/> 2.0	<input checked="" type="checkbox"/> 2.2
<input type="checkbox"/> 2.5	<input type="checkbox"/> 2.5	<input type="checkbox"/>

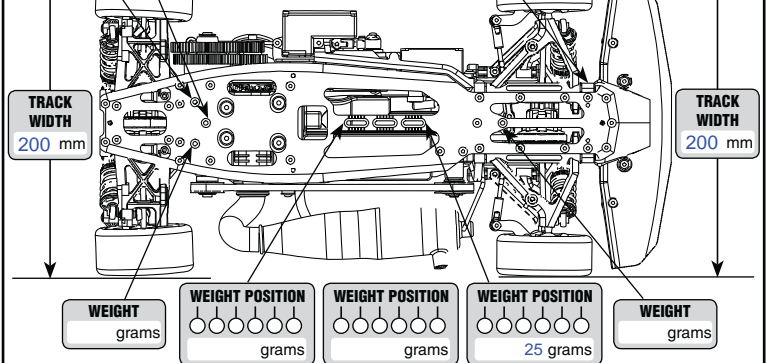
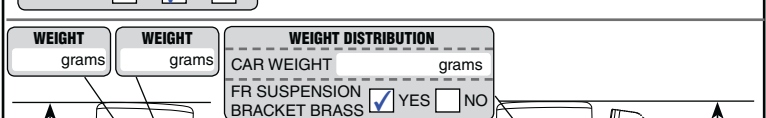
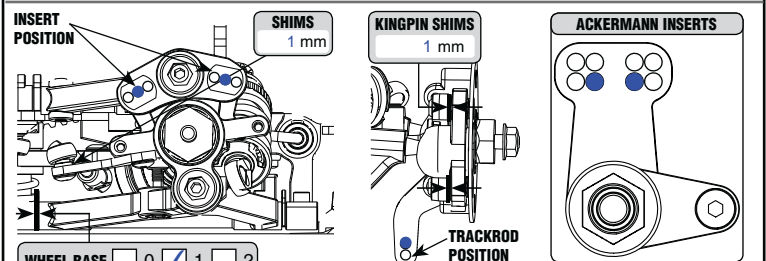
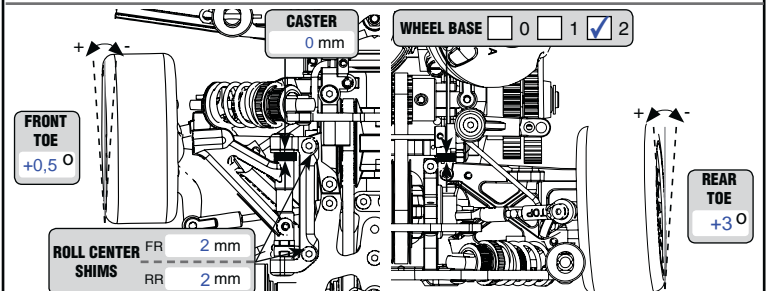
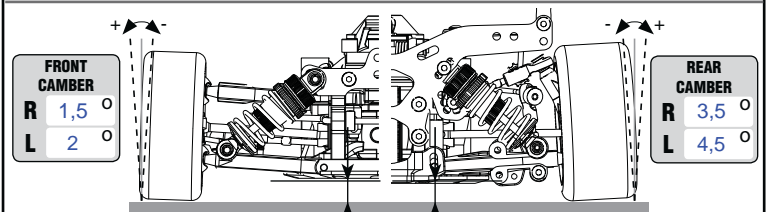
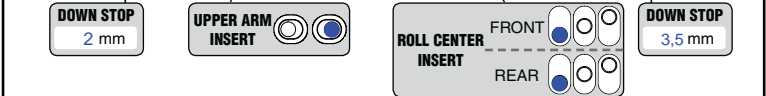
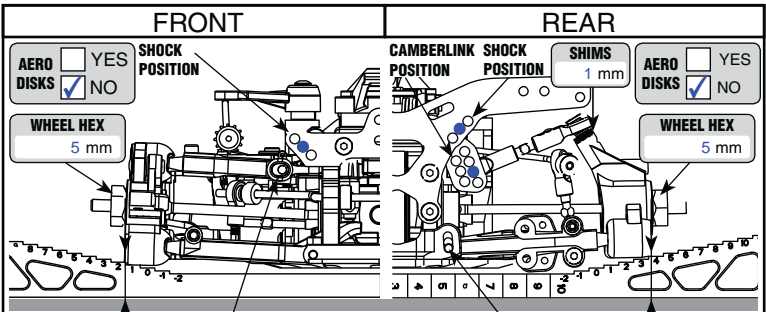
FRONT	TYRES	Controlled Tyre	REAR
Arrowmax	MAKE	<input type="checkbox"/>	Arrowmax
37	SHORE		40
59	DIAMETER		61
	5-MIN WEAR		

POWER PACK	
ENGINE	
BRAND Novarossi	TYPE WCs
GLOWPLUG TGFB6	CARBØ 5,5 mm
HEAD CLEARANCE mm	
EXAUSHT	
PIPE 2660	MANIFOLD prototype
FUEL	
BRAND RunnerTime	NITRO 16

CLUTCH	
CLUTCH BELL <input checked="" type="checkbox"/> ALU <input type="checkbox"/> STEEL	CLUTCH SHOE <input type="checkbox"/> RED <input checked="" type="checkbox"/> YELLOW <input type="checkbox"/> BLACK
CLUTCH SPRING x-spring	CLUTCH BELL GAP 0,5 mm

FLEX CONFIGURATION	
CHASSIS STIFFENER <input checked="" type="checkbox"/> YES <input type="checkbox"/> NO	FLEX <input type="checkbox"/> YES <input checked="" type="checkbox"/> NO

AERODYNAMIC CONFIGURATION	
BODY BRAND Xtreme	BODY POSITION 10 mm
BODY TYPE Avenger	
BUMPERS HOLES <input type="checkbox"/> YES <input checked="" type="checkbox"/> NO	



REMARKS Setup with Arrowmax, 15 Gramm on the front bumper, titan screws on the top,