

## DRIVER, TRACK AND RESULTS

DRIVER **Dominic Greiner** COUNTRY **France** WEATHER AIR TEMP **30** TRACK TEMP **35**  DRY  INTERMEDIATE  WET

TRACK **Monteux** TRACTION  LOW  MEDIUM  HIGH COMMENTS

RACE **World Championship** DATE QUALY POS. **6** QUALY TIME STARTING POS. FINAL POS.

1ST		SPUR GEARS		2ND	
<input type="checkbox"/> 61	<input type="checkbox"/> 62	<input checked="" type="checkbox"/> 63	<input type="checkbox"/> 56	<input type="checkbox"/> 57	<input checked="" type="checkbox"/> 58

1ST		PINION		2ND	
<input type="checkbox"/> 18	<input checked="" type="checkbox"/> 19	<input type="checkbox"/> 20	<input type="checkbox"/> 23	<input checked="" type="checkbox"/> 24	<input type="checkbox"/> 25

FRONT		SHOCK ABSORBERS		REAR	
<b>800</b>	<b>cst</b>	<b>OIL</b>	<b>800</b>	<b>cst</b>	
<b>green</b>	<b>SPRINGS</b>		<b>blue</b>		
<b>6</b>	<b>mm</b>	<b>REBOUND</b>	<b>6</b>	<b>mm</b>	
<input type="checkbox"/>	<input type="checkbox"/>	<input checked="" type="checkbox"/>	<input type="checkbox"/>	<input type="checkbox"/>	<input checked="" type="checkbox"/>

ANTI-ROLL BARS	
FRONT ANTI-ROLL BAR <b>2</b>	REAR ANTI-ROLL BAR <b>3</b>

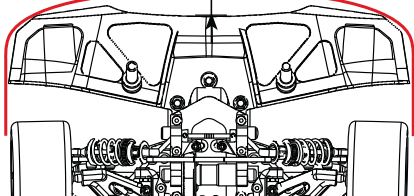
FRONT TYRES		Controlled Tyre	REAR
<b>Matrix</b>	<b>MAKE</b>	<input checked="" type="checkbox"/>	<b>Matrix</b>
<b>32</b>	<b>SHORE</b>		<b>35</b>
<b>69</b>	<b>DIAMETER</b>		<b>76</b>
<b>5-MIN WEAR</b>			

POWER PACK	
<b>ENGINE</b>	
BRAND <b>Novarossi</b>	TYPE <b>Mito</b>
GLOWPLUG <b>TGFB8</b>	CARB Ø <b>8,5 mm</b> HEAD CLEARANCE <b>mm</b>
<b>EXHAUST</b>	
PIPE <b>2600</b>	MANIFOLD <b>medium</b>
<b>FUEL</b>	
BRAND <b>RunnerTime</b>	NITRO <b>16</b>

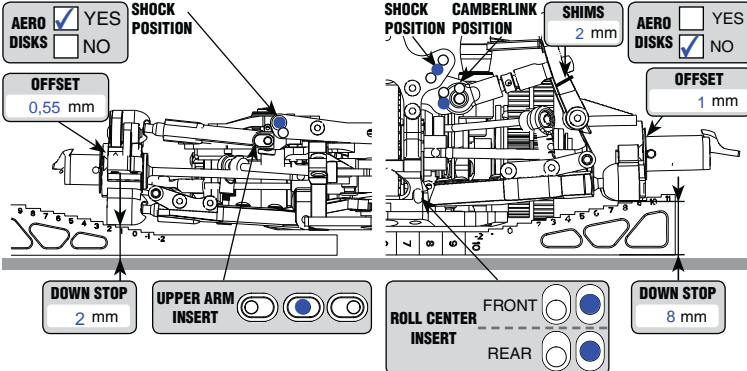
CLUTCH	
CLUTCH BELL <input checked="" type="checkbox"/> ALU <input type="checkbox"/> STEEL	CLUTCH SHOE <input type="checkbox"/> RED <input checked="" type="checkbox"/> YELLOW <input type="checkbox"/> BLACK
CLUTCH SPRING <b>X-spring</b> CLUTCH BELL GAP <b>0,6 mm</b>	

FLEX CONFIGURATION		
FR WISHBONES INSERTS	RR WISHBONES INSERTS	FLEX
<input type="checkbox"/> PLASTIC <input checked="" type="checkbox"/> CARBON	<input type="checkbox"/> PLASTIC <input checked="" type="checkbox"/> CARBON	<input type="checkbox"/> YES <input checked="" type="checkbox"/> NO

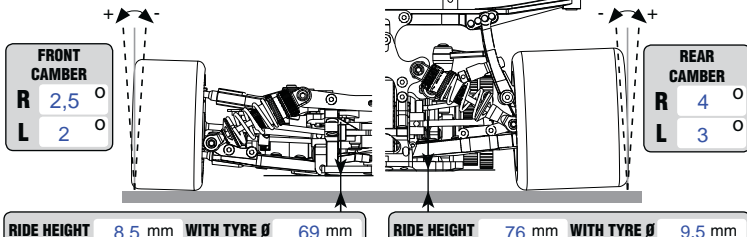
AERODYNAMIC CONFIGURATION	
BODY BRAND <b>Xtreme</b>	BODY POSITION <b>pre cut, forward position mm</b>
BODY TYPE <b>Strong</b>	
BUMPER INSERTS <input type="checkbox"/> OPEN <input checked="" type="checkbox"/> CLOSE	
AIR TRIM POSITION <b>8 mm</b>	



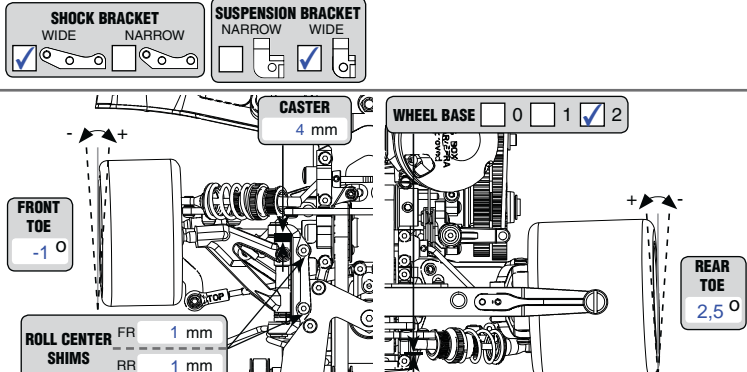
FRONT		REAR	
AERO DISKS <input checked="" type="checkbox"/> YES <input type="checkbox"/> NO	SHOCK POSITION	SHOCK CAMBERLINK POSITION	SHIMS <b>2 mm</b>
OFFSET <b>0,55 mm</b>			AERO DISKS <input type="checkbox"/> YES <input checked="" type="checkbox"/> NO
DOWN STOP <b>2 mm</b>	UPPER ARM INSERT	ROLL CENTER INSERT	DOWN STOP <b>8 mm</b>



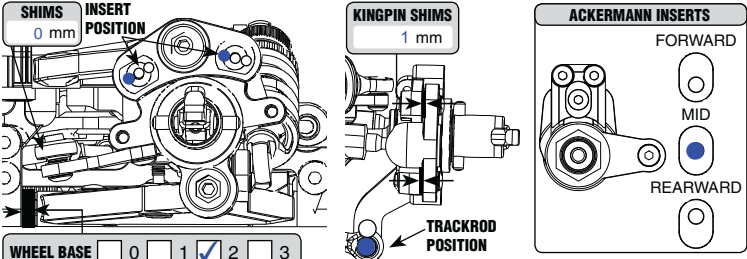
FRONT CAMBER R <b>2,5</b> L <b>2</b>		REAR CAMBER R <b>4</b> L <b>3</b>
RIDE HEIGHT <b>8,5 mm</b> WITH TYRE Ø <b>69 mm</b>		RIDE HEIGHT <b>76 mm</b> WITH TYRE Ø <b>9,5 mm</b>



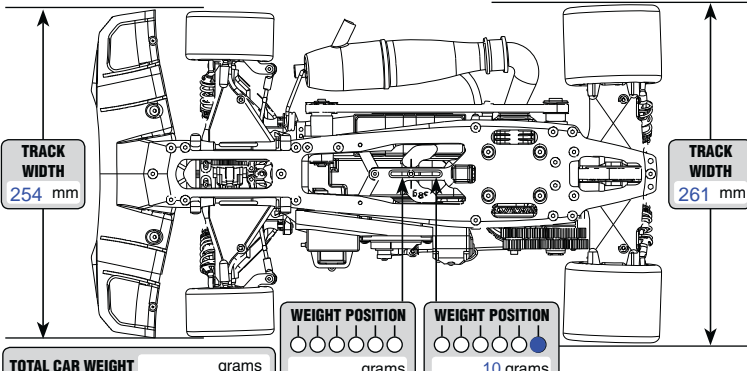
SHOCK BRACKET <input checked="" type="checkbox"/> WIDE <input type="checkbox"/> NARROW	SUSPENSION BRACKET <input type="checkbox"/> NARROW <input checked="" type="checkbox"/> WIDE
CASTER <b>4 mm</b>	WHEEL BASE <input type="checkbox"/> 0 <input type="checkbox"/> 1 <input checked="" type="checkbox"/> 2
FRONT TOE <b>-1</b>	REAR TOE <b>2,5</b>
ROLL CENTER SHIMS FR <b>1 mm</b> RR <b>1 mm</b>	



SHIMS <b>0 mm</b>	INSERT POSITION	KINGPIN SHIMS <b>1 mm</b>	ACKERMANN INSERTS
			FORWARD
			MID
			REARWARD
WHEEL BASE <input type="checkbox"/> 0 <input type="checkbox"/> 1 <input checked="" type="checkbox"/> 2 <input type="checkbox"/> 3		TRACKROD POSITION	



TRACK WIDTH <b>254 mm</b>		TRACK WIDTH <b>261 mm</b>
TOTAL CAR WEIGHT <b>grams</b>	WEIGHT POSITION <b>grams</b>	WEIGHT POSITION <b>10 grams</b>



REMARKS