



# SET UP

# 977 VIPER

RACE	mendip club meeting	DATE	
TRACK	Mendip	RESULT	
DRIVER:		QUALIFYING POSITION	
LAYOUT:	<input type="checkbox"/> TECHNICAL <input checked="" type="checkbox"/> MIXED <input type="checkbox"/> FAST	QUALIFYING TIME	
TRACTION:	<input checked="" type="checkbox"/> LOW <input type="checkbox"/> MEDIUM <input type="checkbox"/> HIGH	FINAL POSITION	
TRACK TEMP		AIR TEMP	

FRONT	<input checked="" type="checkbox"/> APPLIED	REAR

R	2°	2°	L	CAMBER	R	3.5°	3°	L
RIDE-HEIGHT 7 mm		RIDE-HEIGHT 8 mm						
RIDE-HEIGHT MEASURED WITH SET UP WHEEL Ø		RIDE-HEIGHT MEASURED WITH SET UP WHEEL Ø						

TOE-IN -1°	SHIMS FRONT 1 mm SHIMS REAR 1 mm	CONNECTOR TYPE NONE <input type="checkbox"/> RUBBER <input type="checkbox"/> ALU <input checked="" type="checkbox"/>	WHEELBASE 0 mm
CASTER SPACERS 3 mm	FLEX YES <input type="checkbox"/> NO <input checked="" type="checkbox"/>	ANTI-ROLL BAR std	TOE-IN 2.5°

BRACKET TYPE UP <input type="checkbox"/> DOWN <input checked="" type="checkbox"/>	INSERT-POSITION	WHEELBASE 3 mm	SHIMS 0 mm	INSERT

1ST	SPUR	2ND
<input checked="" type="checkbox"/> 48T	<input type="checkbox"/> 49T	<input type="checkbox"/> 44T
<input type="checkbox"/> 50T	<input type="checkbox"/> 45T	<input checked="" type="checkbox"/> 46T

1ST	PINION	2ND
<input checked="" type="checkbox"/> 15T	<input type="checkbox"/> 18T	<input type="checkbox"/> 20T
<input type="checkbox"/> 16T	<input checked="" type="checkbox"/> 19T	<input type="checkbox"/>

CENTAX	
CLUTCHBELL	ALU <input type="checkbox"/> STEEL <input checked="" type="checkbox"/>
CLUTCHSHOE	BLACK <input type="checkbox"/> YELLOW <input checked="" type="checkbox"/> RED <input type="checkbox"/>

FRONT	SHOCK ABSORBERS	REAR
OIL 500 CST	<input type="checkbox"/> OPEN <input checked="" type="checkbox"/> CLOSED	OIL 600 CST
SPRING green		SPRING pink

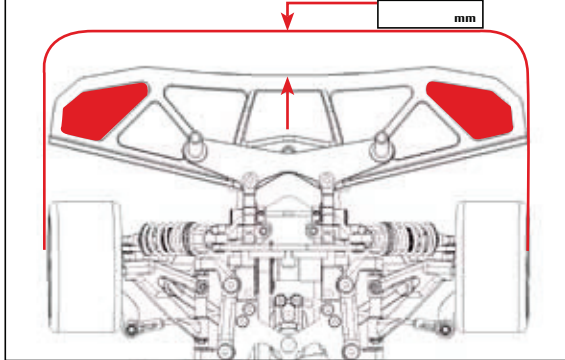
LEFT	RIGHT	TYRES	LEFT	RIGHT
xceed		MAKE	xceed	
32°	°	SHORE	35°	°
mm	mm	DIAMETER	mm	mm
mm	mm	5-MIN WEAR	mm	mm

ENGINE	novarossi		
VERSION	keep on	HEADSHIMS	std mm
GLOWPLUG	8	CARB DIA	8 mm

EXHAUST	2015 with 5 ring		
---------	------------------	--	--

FUEL	xceed	16 %
------	-------	------

BODY TYPE	pf r18
BUMPER HOLES CUT	YES <input type="checkbox"/> NO <input checked="" type="checkbox"/>



TRACK WIDTH	264 mm	WEIGHT-POSITION	264 mm	TRACK WIDTH

REMARKS	