



# SET UP

## 977 VIPER

RACE	<input type="text"/>	DATE	<input type="text"/>
TRACK	<input type="text"/>	RESULT	<input type="text"/>
DRIVER:	<input type="text"/>	QUALIFYING POSITION	<input type="text"/>
LAYOUT:	<input type="checkbox"/> TECHNICAL	<input type="checkbox"/> MIXED	<input type="checkbox"/> FAST
TRACTION:	<input type="checkbox"/> LOW	<input type="checkbox"/> MEDIUM	<input type="checkbox"/> HIGH
TRACK TEMP	<input type="text"/>	AIR TEMP	<input type="text"/>
		QUALIFYING TIME	<input type="text"/>
		FINAL POSITION	<input type="text"/>

1ST	<input type="text"/>	SPUR	<input type="text"/>	2ND	<input type="text"/>
<input type="checkbox"/>	<input type="checkbox"/>	<input type="checkbox"/>	<input type="checkbox"/>	<input type="checkbox"/>	<input type="checkbox"/>
48T	49T	50T	44T	45T	46T

1ST	<input type="text"/>	PINION	<input type="text"/>	2ND	<input type="text"/>
<input type="checkbox"/>	<input type="checkbox"/>	<input type="checkbox"/>	<input type="checkbox"/>	<input type="checkbox"/>	<input type="checkbox"/>
15T	16T	17T	18T	19T	20T

CENTAX	
CLUTCHBELL	ALU <input type="checkbox"/> STEEL <input type="checkbox"/>
CLUTCHSHOE	BLACK <input type="checkbox"/> YELLOW <input type="checkbox"/> RED <input type="checkbox"/>

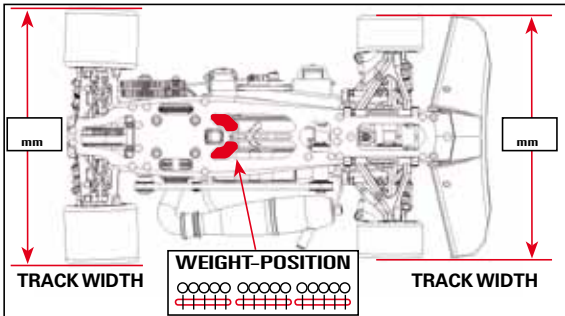
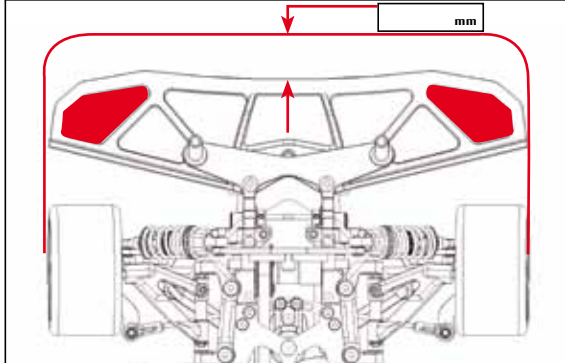
FRONT	SHOCK ABSORBERS	REAR
OIL	<input type="checkbox"/> OPEN <input type="checkbox"/> CLOSED	OIL
<input type="checkbox"/> CST	<input type="checkbox"/> SPRING	<input type="checkbox"/> CST
<input type="checkbox"/> SPRING		<input type="checkbox"/> SPRING

LEFT	RIGHT	TYRES	LEFT	RIGHT
		MAKE		
0	0	SHORE	0	0
mm	mm	DIAMETER	mm	mm
mm	mm	5-MIN WEAR	mm	mm

ENGINE	
VERSION	HEADSHIMS mm
GLOWPLUG	CARB DIA mm

EXHAUST	
FUEL	%

BODY TYPE	
BUMPER HOLES CUT	YES <input type="checkbox"/> NO <input type="checkbox"/>



REMARKS	<input type="text"/>
	<input type="text"/>
	<input type="text"/>

