

# SET UP

Use [www.pdfescape.com](http://www.pdfescape.com) to edit, save and send.



<b>NAME</b> NACHO LÓPEZ	<b>RACE</b> CHIRSTMAS RACE	<b>DATE</b> 09/12/2012
-------------------------	----------------------------	------------------------

1 ST	<b>SPUR</b>	2ND
<input checked="" type="checkbox"/> 60	<input type="checkbox"/> 59   <input type="checkbox"/> 58   <input type="checkbox"/> 53	<input type="checkbox"/> 54   <input checked="" type="checkbox"/> 55

1 ST	<b>PINION</b>	2ND
<input type="checkbox"/> 16	<input checked="" type="checkbox"/> 17   <input type="checkbox"/> 18   <input type="checkbox"/> 21	<input checked="" type="checkbox"/> 22   <input type="checkbox"/> 23

<b>FRONT DRIVE TRAIN</b>	<b>REAR</b>
GEAR DIFF <input checked="" type="checkbox"/> 200.000 CST	GEAR DIFF <input checked="" type="checkbox"/> 50.000 CST
NUMBER OF GEARS	
2 <input type="checkbox"/> 4 <input checked="" type="checkbox"/>	2 <input type="checkbox"/> 4 <input checked="" type="checkbox"/>
<input type="checkbox"/> ONE WAY	<input type="checkbox"/> SOLID
<input type="checkbox"/> SPOOL	<input type="checkbox"/> SOLID

<b>FRONT SHOCK ABSORBERS</b>	<b>REAR</b>
OIL/CST 500	OIL/CST 600
TYPE:RCC <input type="checkbox"/> TYPE:RCM <input type="checkbox"/>	TYPE:RCC <input type="checkbox"/> TYPE:RCM <input type="checkbox"/>
SPRING RED	SPRING RED
OPEN <input type="checkbox"/>	CLOSED <input type="checkbox"/>

<b>FRONT ANTI-ROLL BARS</b>	<b>REAR</b>
<input type="checkbox"/> 1.8   <input type="checkbox"/> 2.2   <input checked="" type="checkbox"/> 2.5   <input type="checkbox"/> 2.8	<input checked="" type="checkbox"/> 1.8   <input type="checkbox"/> 1.9   <input type="checkbox"/> 2.0   <input type="checkbox"/> 2.1   <input type="checkbox"/> 2.2   <input type="checkbox"/> 2.3   <input type="checkbox"/> 2.5

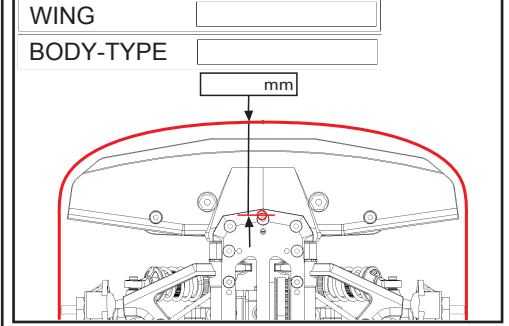
<b>FRONT</b>	<b>TYRES</b>	<b>REAR</b>
LEFT RIGHT	LEFT RIGHT	LEFT RIGHT
MATR 35°	MATR 35°   MAKE SHORE	MATR 40°   MATR 40°
61 mm	61 mm   DIAMETER	63 mm   63 mm
5-MIN WEAR		

<b>ENGINE</b> TEAM ORION	<b>HEADSHIMS</b>
TYPE GLOWPLUG 6 OS	CARB DIA' mm

<b>EXHAUST</b> HIPEX 2669 MANIFOLD C+	<b>CONICAL</b>
FIXED HEADER <input type="checkbox"/> LONG MED SHORT	CONICAL <input checked="" type="checkbox"/> YES NO

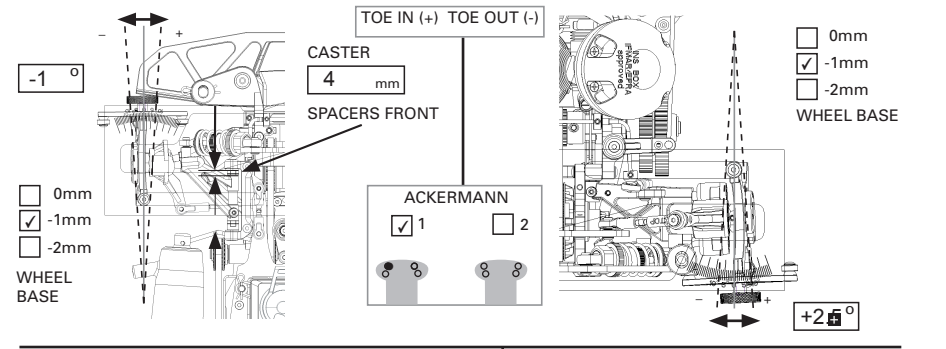
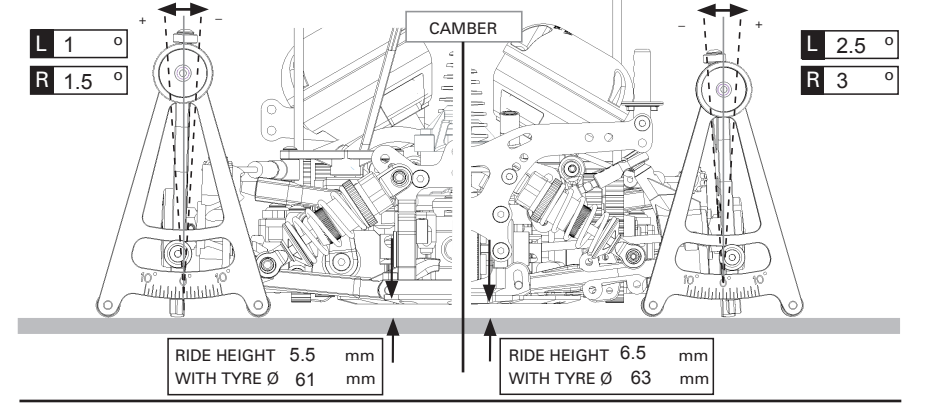
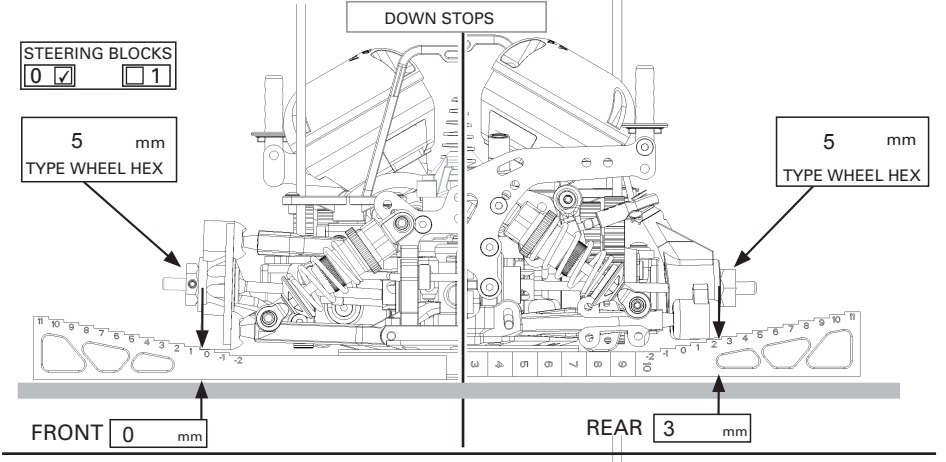
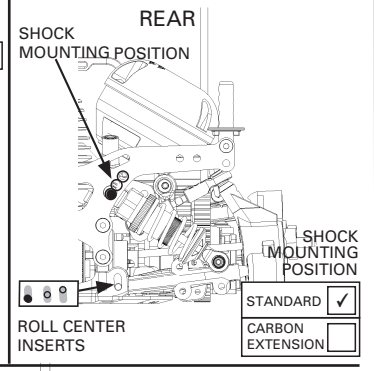
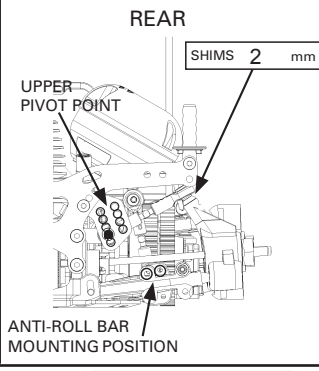
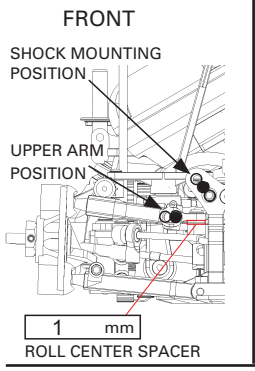
<b>FUEL</b> OWN	<b>NITRO 16%</b>
-----------------	------------------

<b>BODY</b> PF P37-N	<b>WING</b>
----------------------	-------------



**REMARKS**

## TRACK AUTET (EUROS 2014 TRACK)



FLEX YES <input type="checkbox"/> NO <input checked="" type="checkbox"/>	CHASSIS CONNECTORS ALU <input checked="" type="checkbox"/> RUBBER <input type="checkbox"/>
--	--

